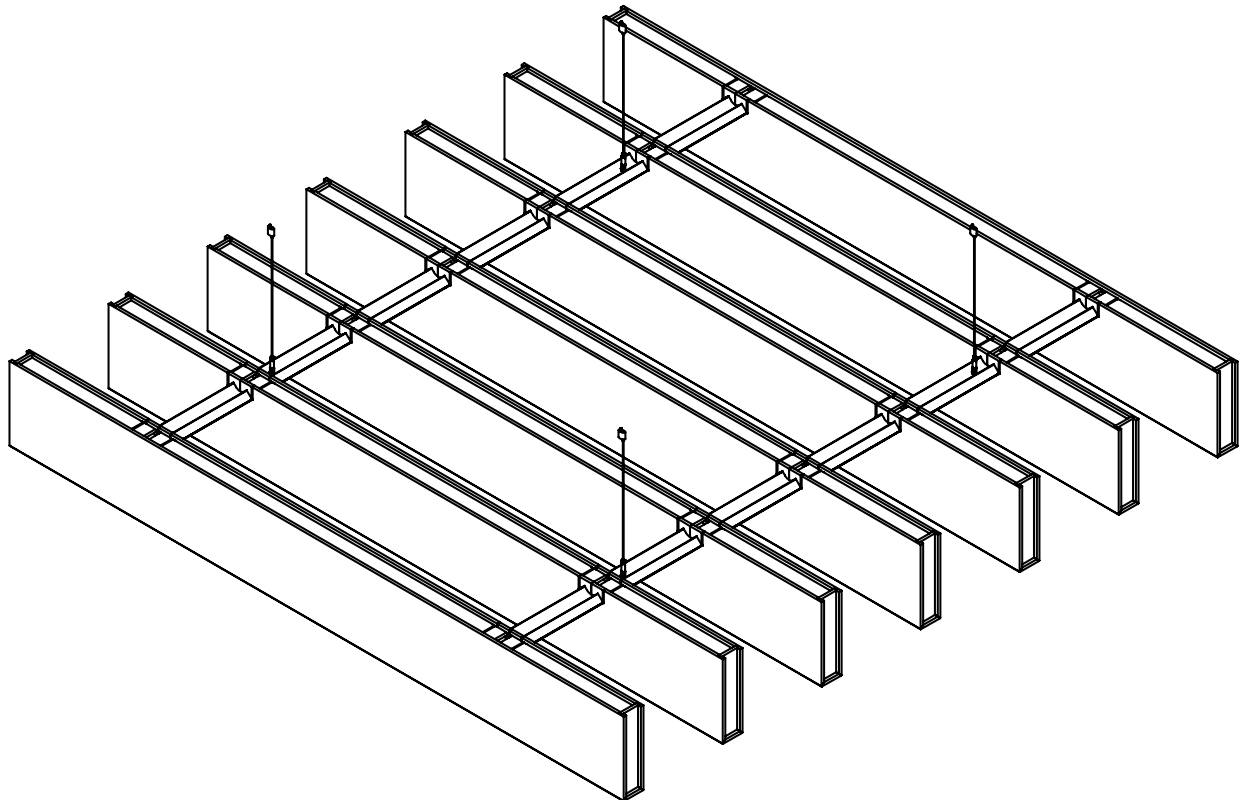


BAFL KIT Installation

Acoustical Baffle Kit

These installation suggestions consist of a common process for BAFL KIT installation. Installers should rely upon their own professional experience and understanding of their unique requirements to ensure a successful install.



Tools You Will Need

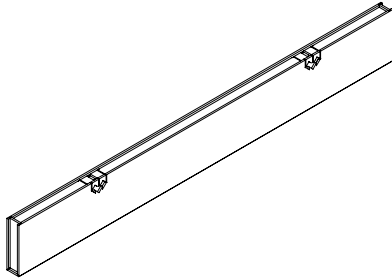


Cable Cutter

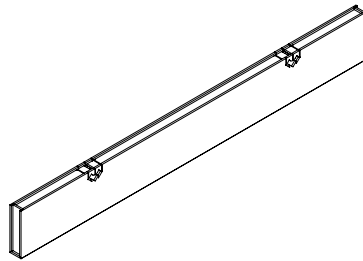
BAFL KIT Installation

Acoustical Baffle Kit

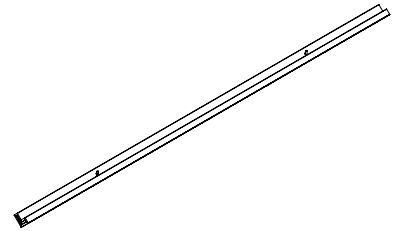
Items Included



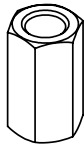
(2) End Baffles



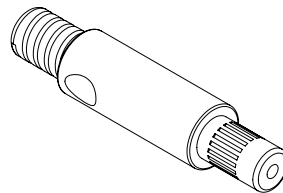
(5) Middle Baffles



(2) Rails



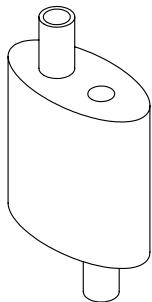
(4) Coupler Nuts



(4) Griplock



(4) 1/16" Aircraft Cable 2.5ft Each

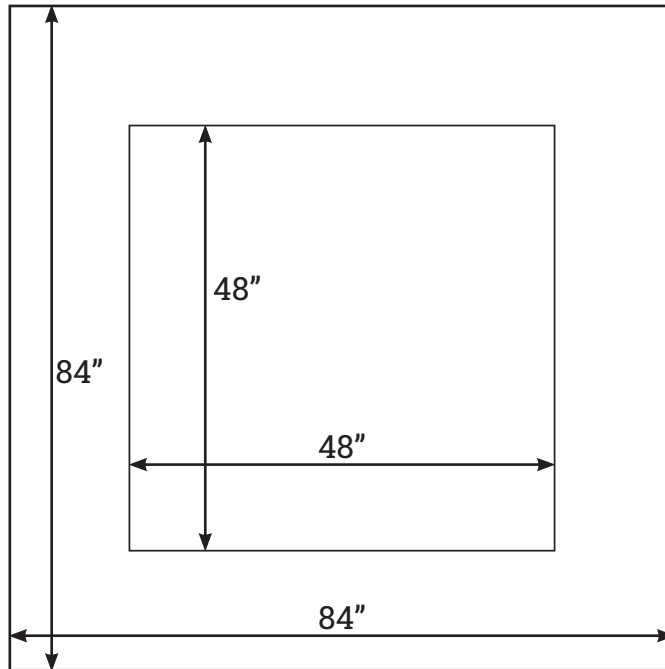


(4) Trapeze Connector

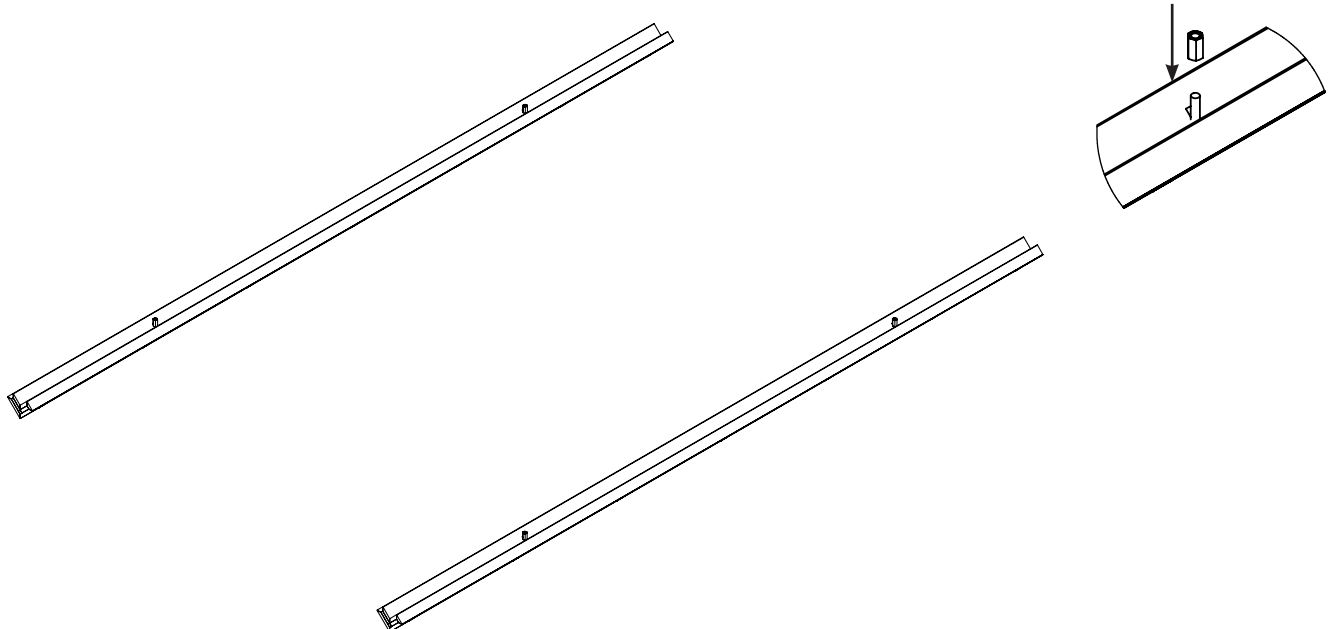
BAFL KIT Installation

Acoustical Baffle Kit

1. Determine where you would like to suspend the product within your space. Map out an 84" x 84" section of ceiling, as detailed below. Ensure there is a 48" x 48" sub-section of the area for mounting the (2) Rails.



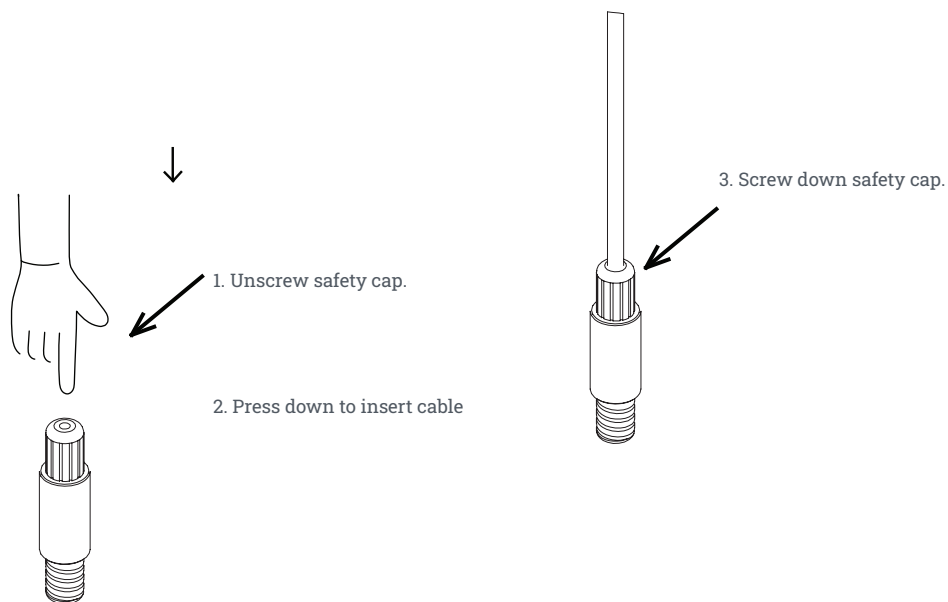
2. Locate the (4) Eyebolts in the (2) Rails. Attach the (4) Coupler Nuts to the (4) Eyebolts.



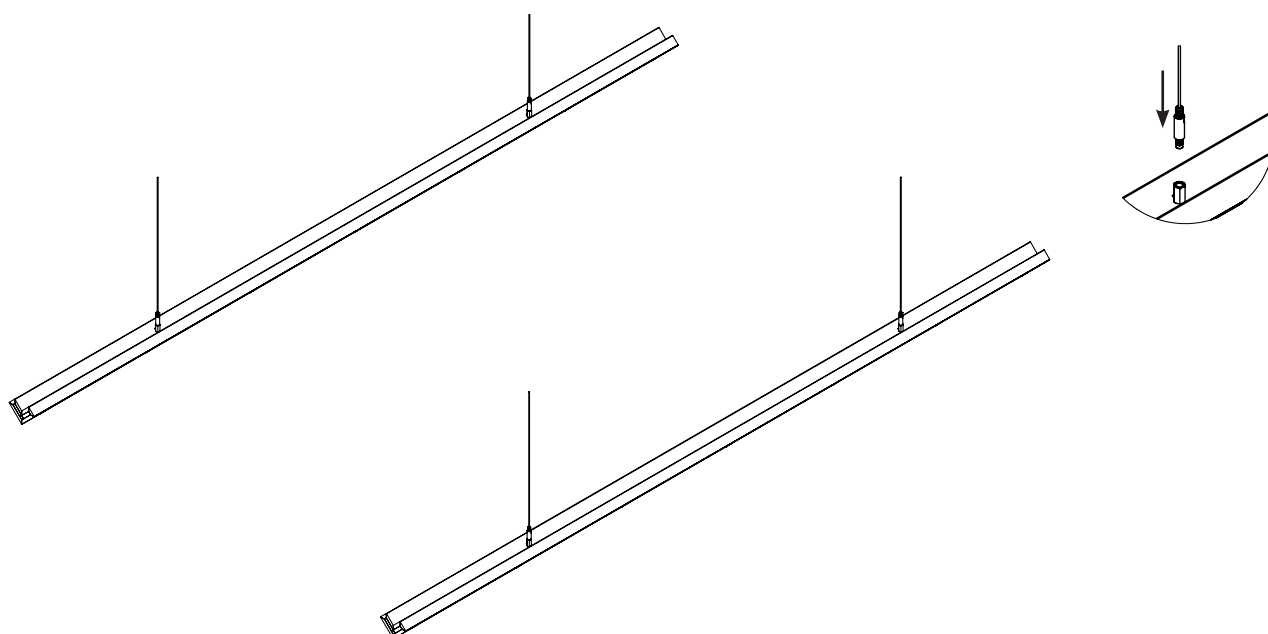
BAFL KIT Installation

Acoustical Baffle Kit

3. Connect the Aircraft Cable to the (4) Griplocks.



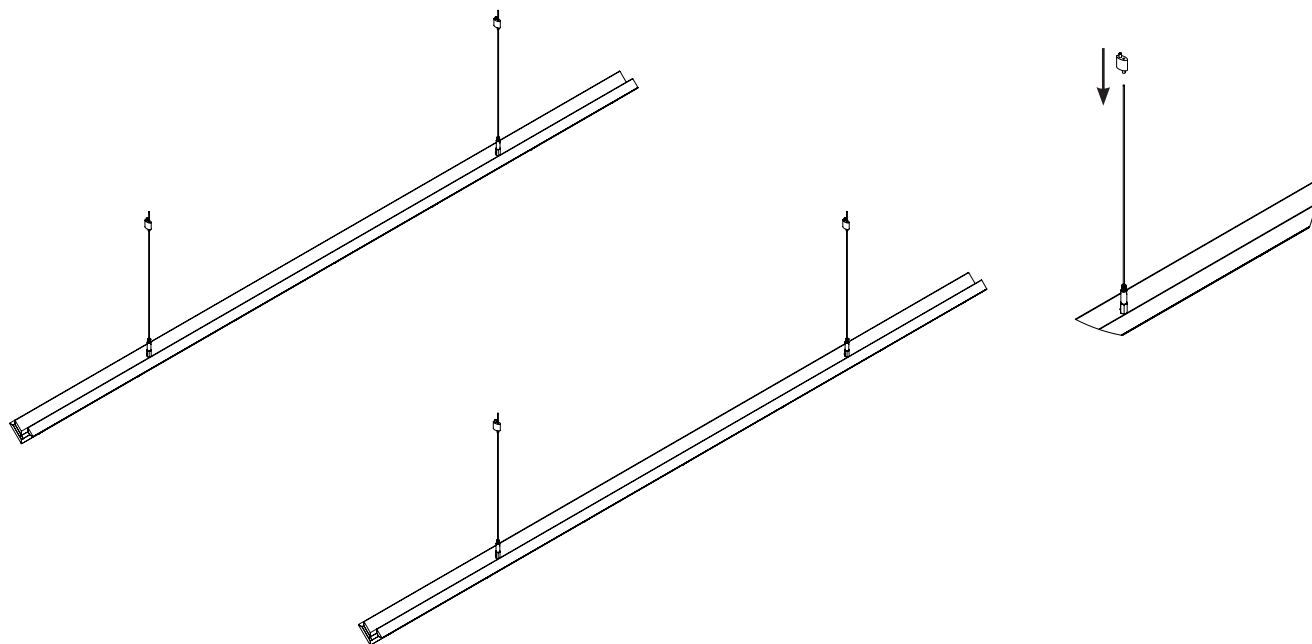
4. Attach the (4) Griplocks to the (4) Coupler Nuts.



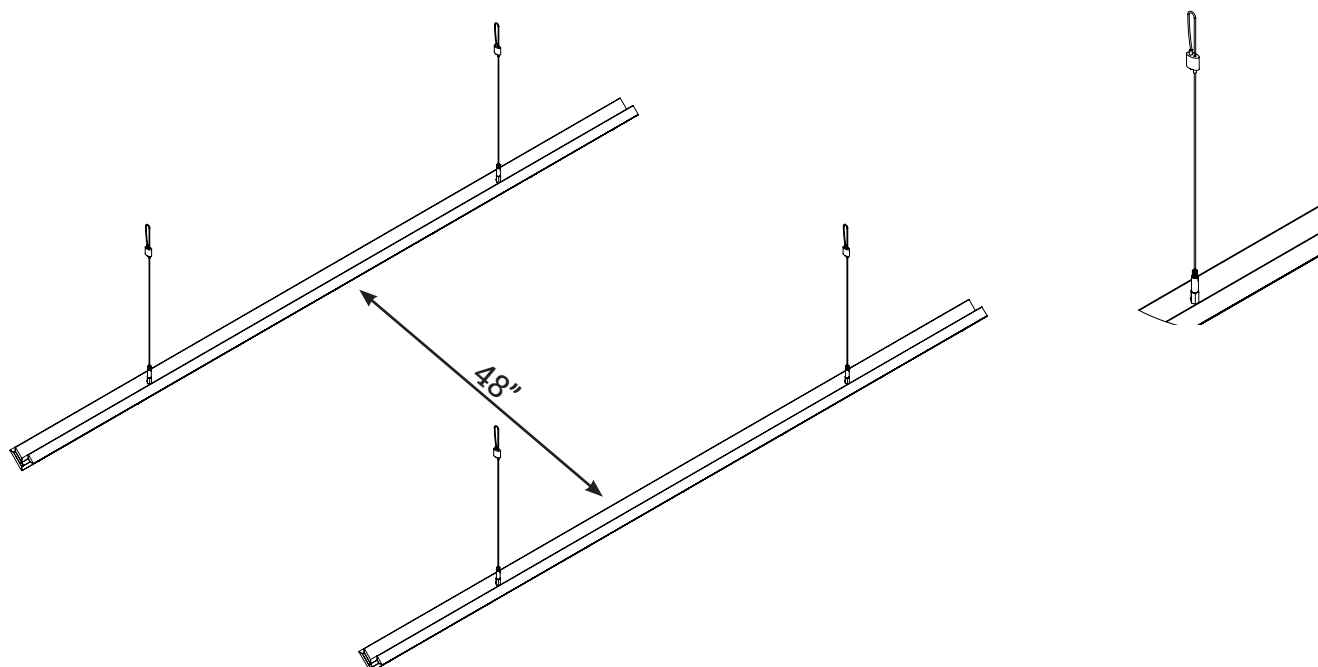
BAFL KIT Installation

Acoustical Baffle Kit

5. Attach the Aircraft Cable to the (4) Trapeze connectors. To do so, push the pin in and pull the cable to a desired length.



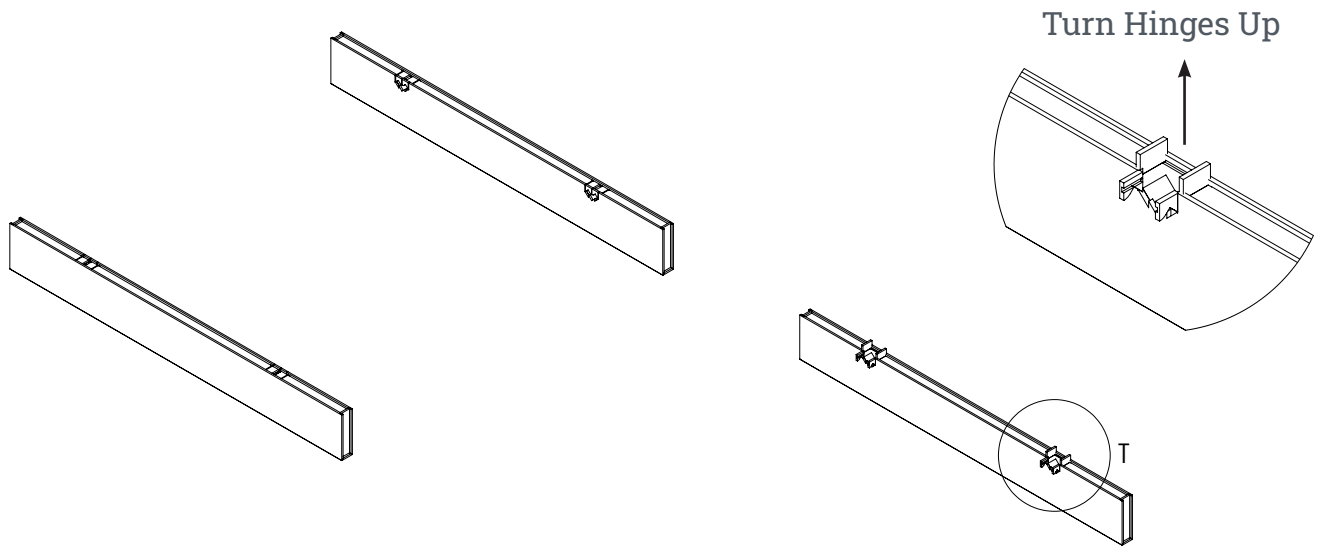
6. Loop the Aircraft Cable over your desired mounting location. Connect the Aircraft Cable loop to the Trapeze Connector and tighten for a secure hold. There should be 48" between connection points on each Rail. Ensure the Aircraft Cables are even in length to hang the BAFL in a level orientation.



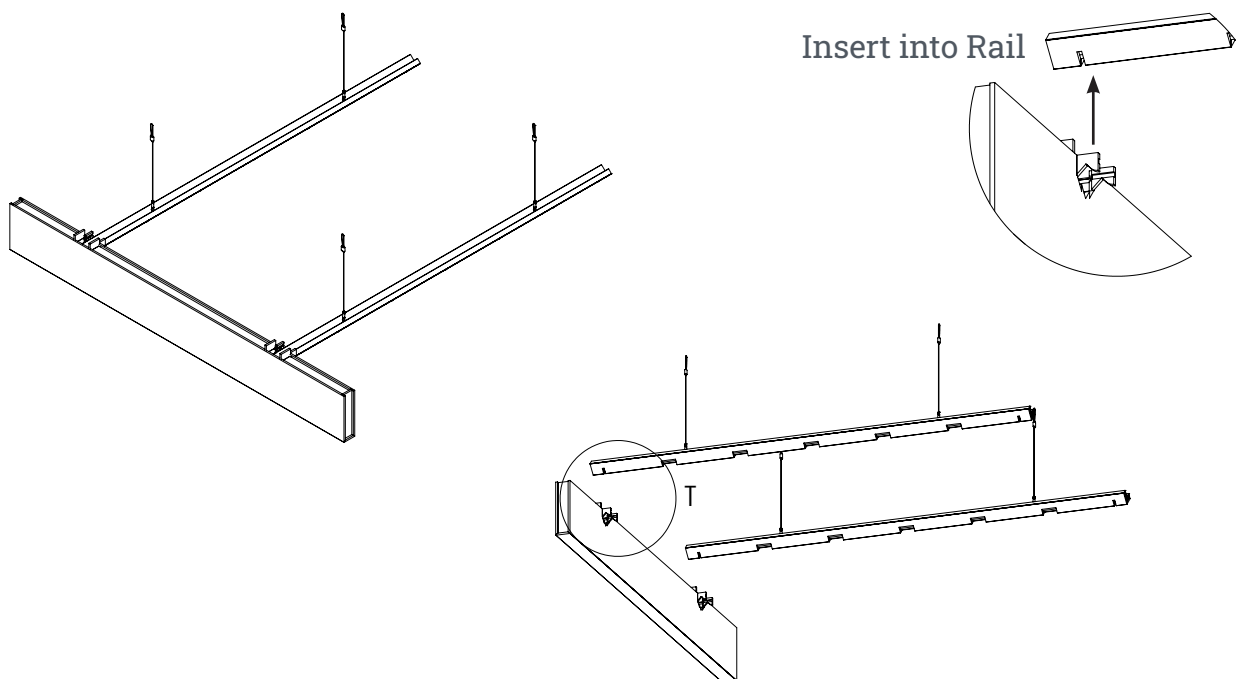
BAFL KIT Installation

Acoustical Baffle Kit

7. Turn up the top hinges on the (2) End BAFLs to open them up. Repeat the process on both sides and on both End BAFLs.



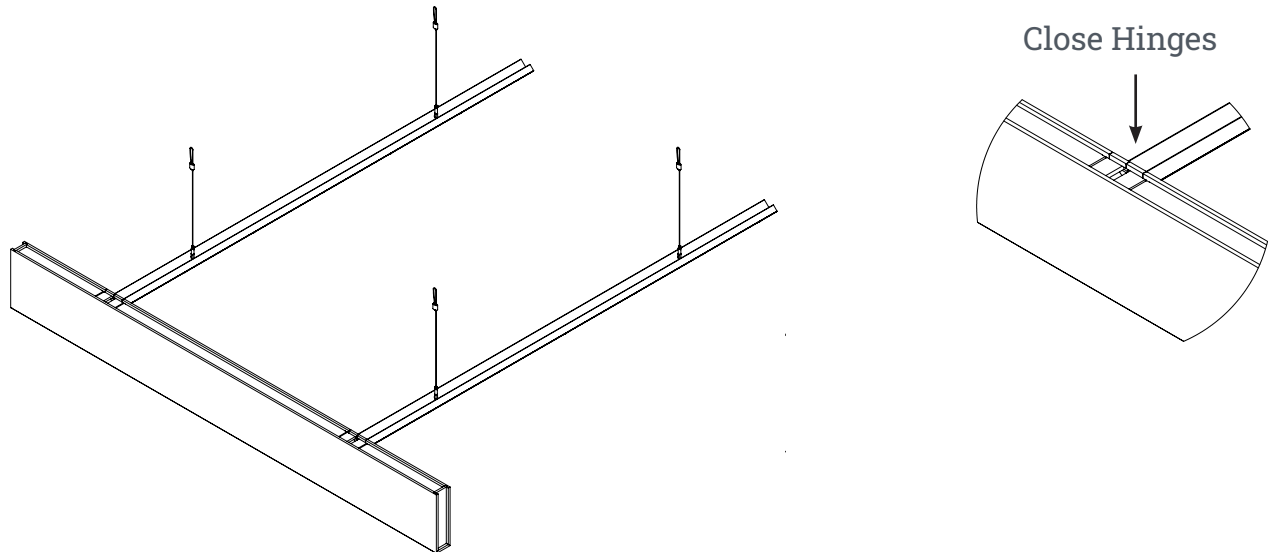
8. Insert (1) End BAFL into the Rail. Use the slots in the Rail to attach the BAFL to the Rail.



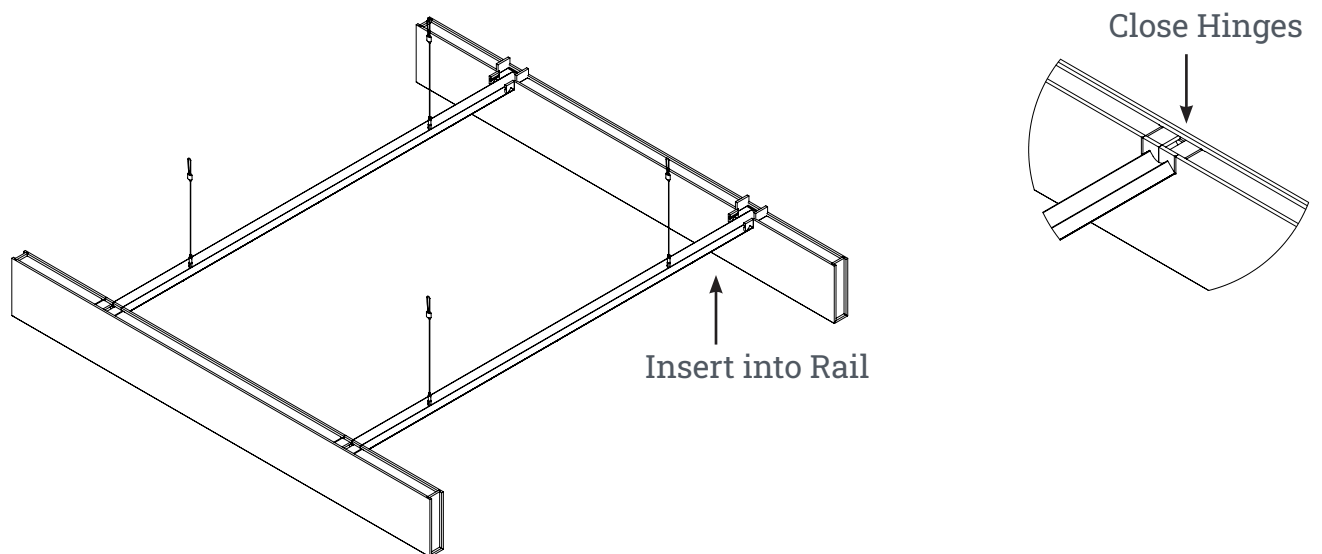
BAFL KIT Installation

Acoustical Baffle Kit

9. Lock the End BAFL into place by pushing the top hinges down. Repeat the process on both sides of the End BAFL.



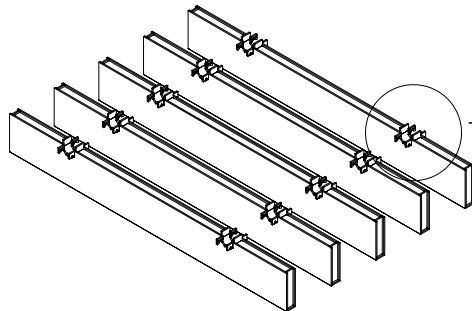
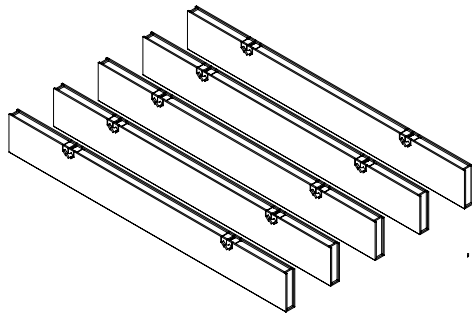
10. Insert the second End BAFL into the other side of the rail and lock it in place.



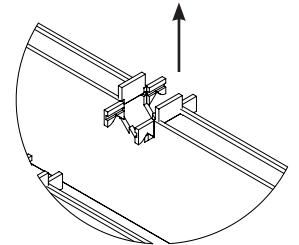
BAFL KIT Installation

Acoustical Baffle Kit

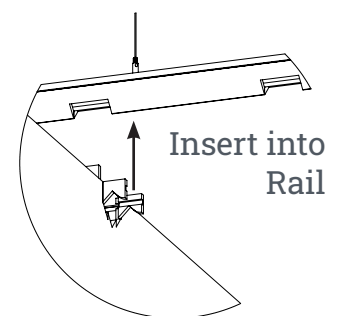
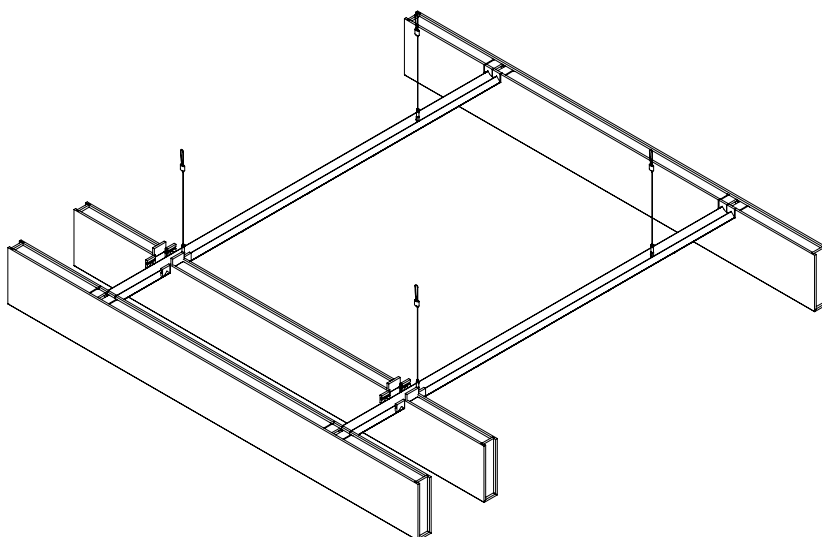
11. Get the (5) Middle BAFLS ready to attach to the rails. Open up the top hinges by turning them up. Repeat the process on both sides and on (5) Middle BAFLS.



Turn Hinges Up



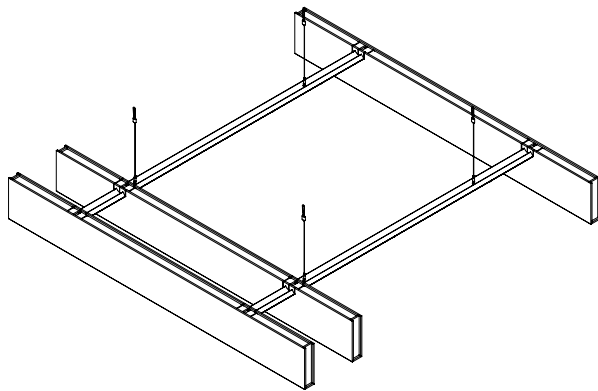
12. Insert (1) Middle BAFL into the rail by using the larger slots in the Rails.



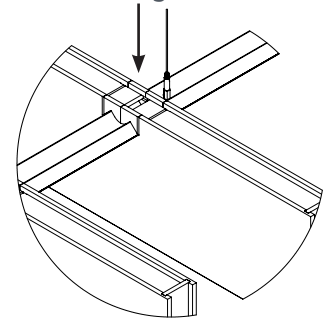
BAFL KIT Installation

Acoustical Baffle Kit

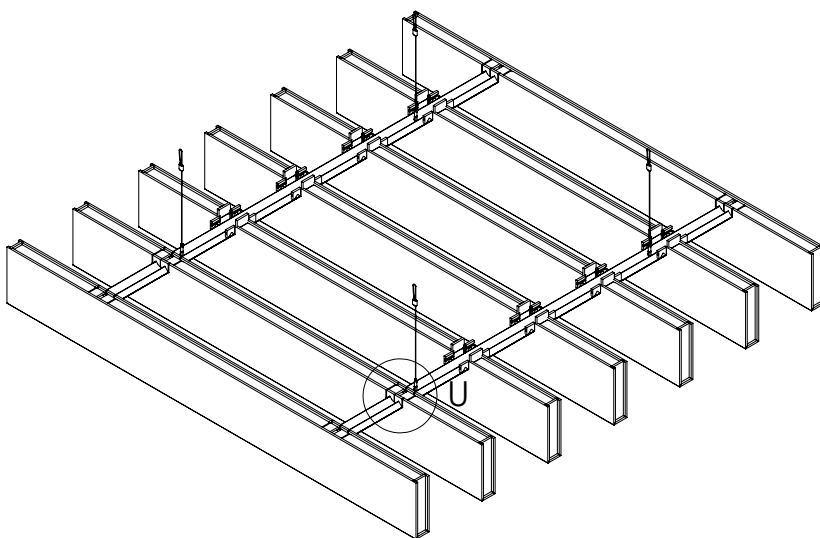
13. Lock the Middle BAFL into place by pushing the top hinges down. Repeat the process on both sides of the Middle BAFL.



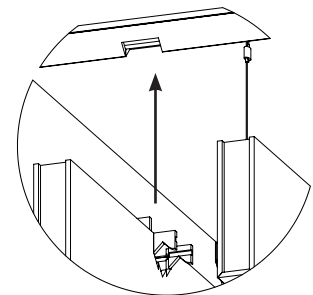
Close Hinges



14. Insert all (5) Middle Baffles into the Rail and Lock them in place.



Insert into Rail



BAFL KIT Installation

Acoustical Baffle Kit

Finish Installation.

