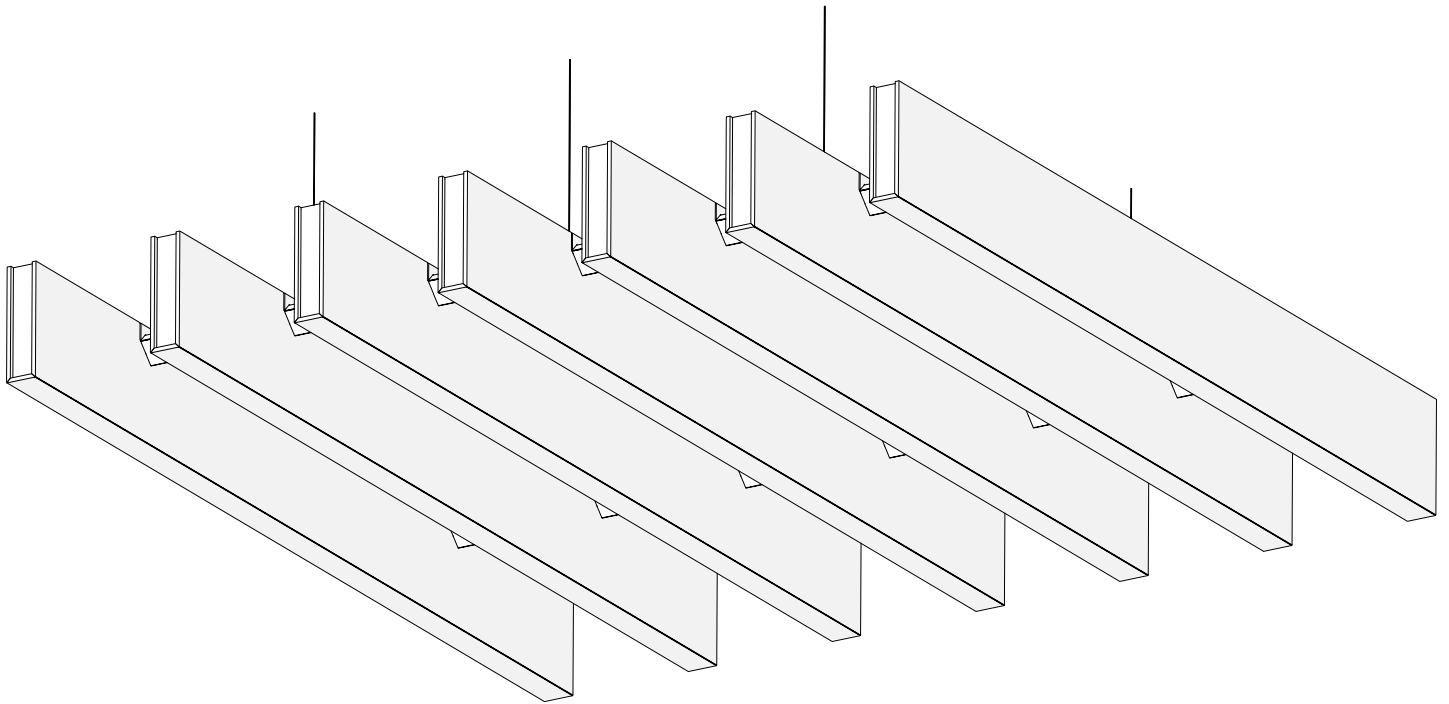
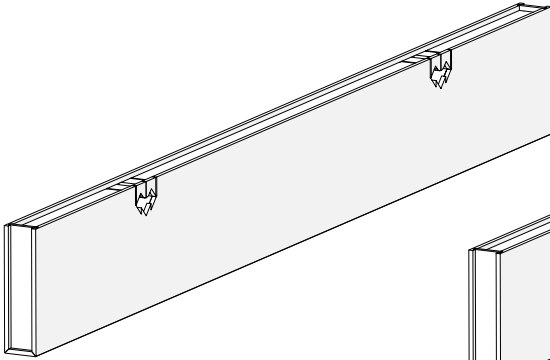


BAFL [KIT]

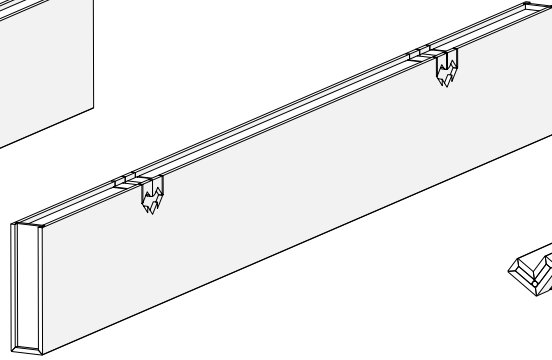
INSTALLATION INSTRUCTIONS



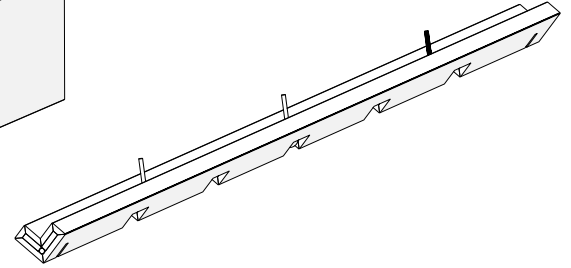
BAFL [KIT] - INCLUDED COMPONENTS



End BAFL **x2**

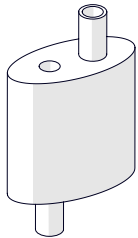


Middle BAFL **x5**

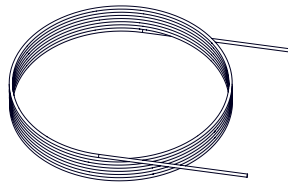


Rail **x2**

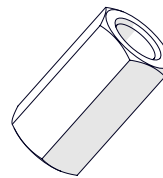
INCLUDED HARDWARE



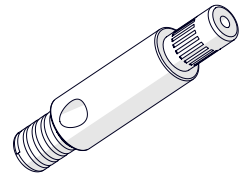
Urban Gripper **x6**



Aircraft Cable **9ft**

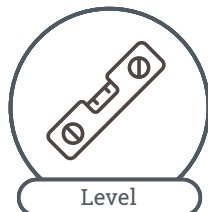


1/4"-20 Coupling Nut **x6**

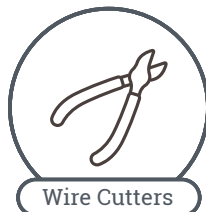


Grip Lock **x6**

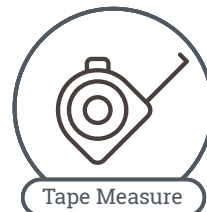
REQUIRED TOOLS



Level



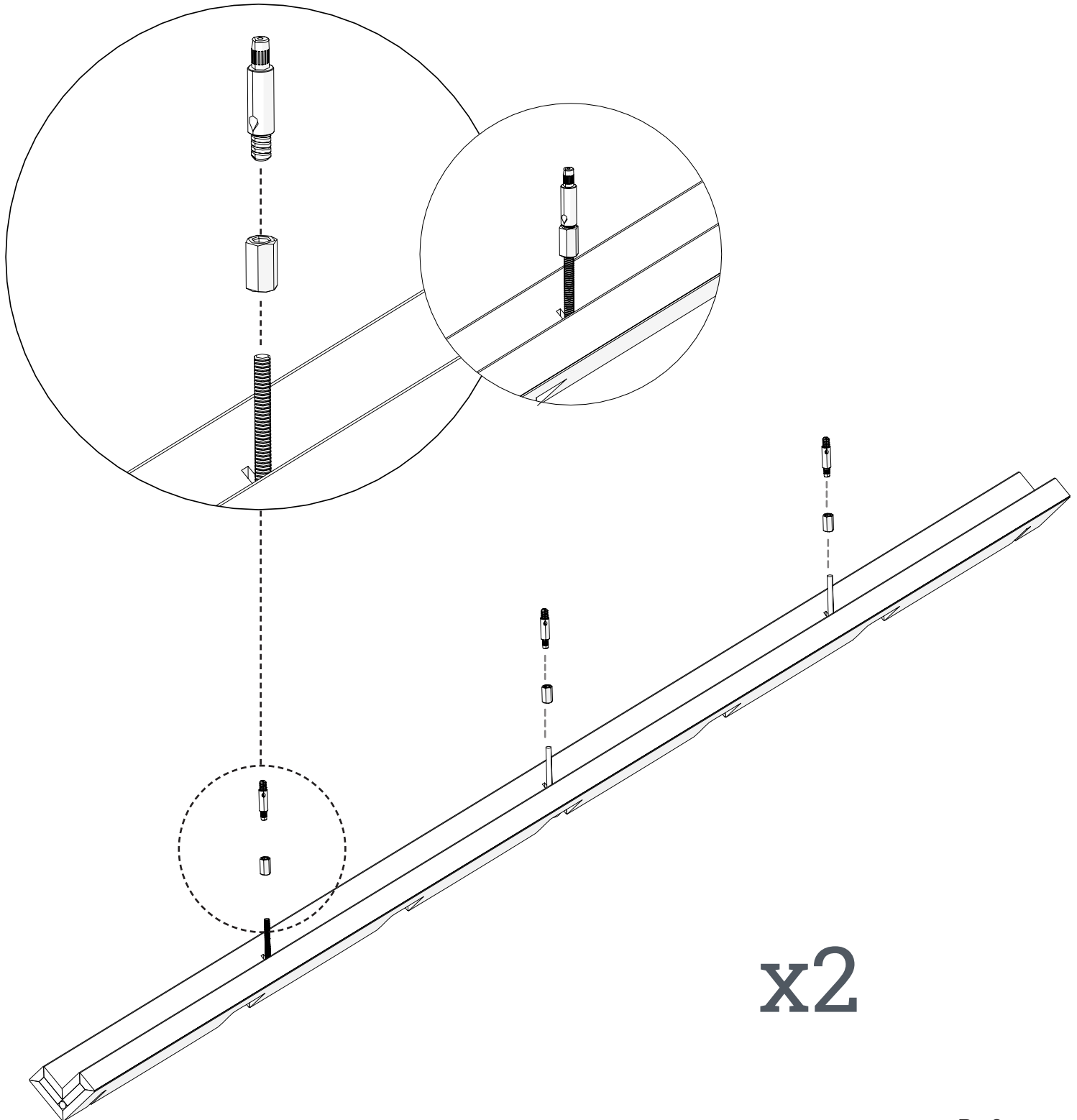
Wire Cutters



Tape Measure

BAFL KIT: INSTALLATION INSTRUCTIONS

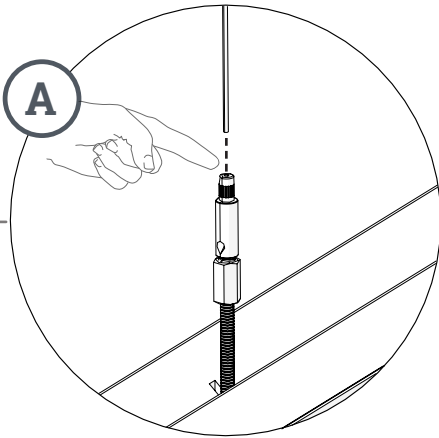
- 1 Locate the threaded rod embedded in the rails. Connect a Hex Nut and Grip Lock to each of the rods as shown. Complete for both rails.



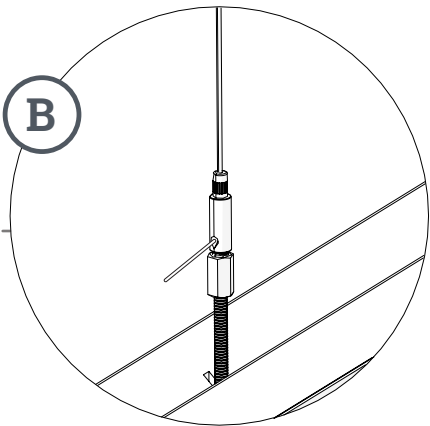
x2

BAFL KIT: INSTALLATION INSTRUCTIONS

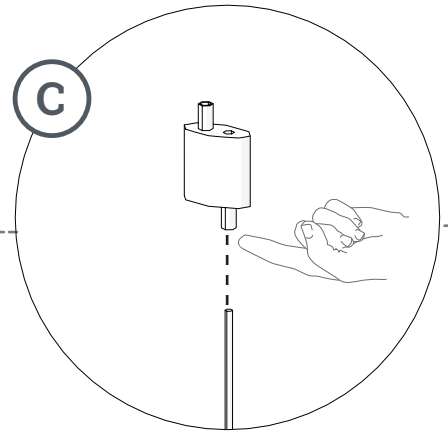
2 Attach the aircraft cables and Urban Gippers as shown below. Repeat for both rails.



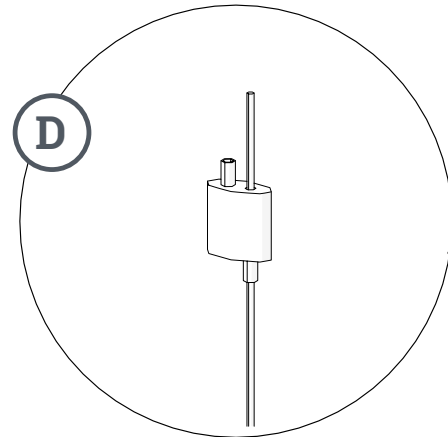
Press down on the plunger while inserting the cable.



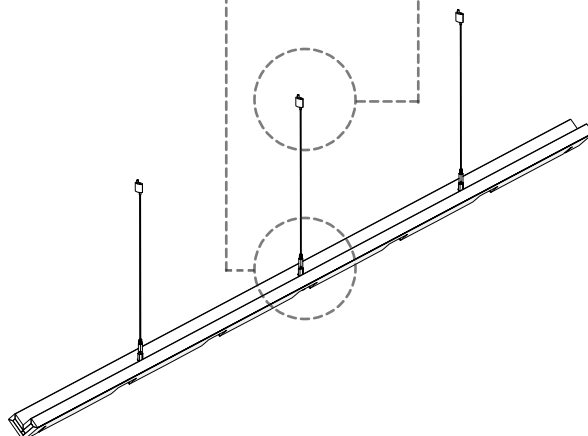
Thread the cable through the side exit and release the plunger to lock the cable in place.



Press down on the plunger while inserting the cable.

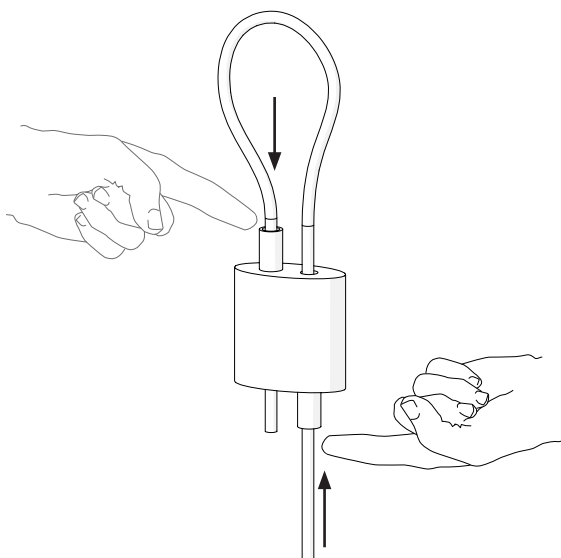
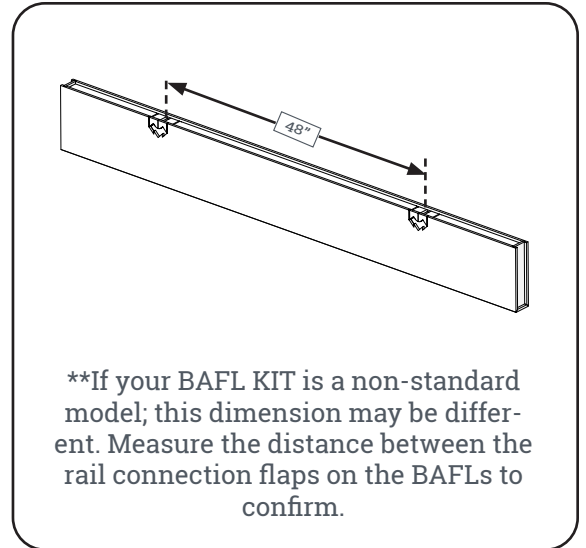
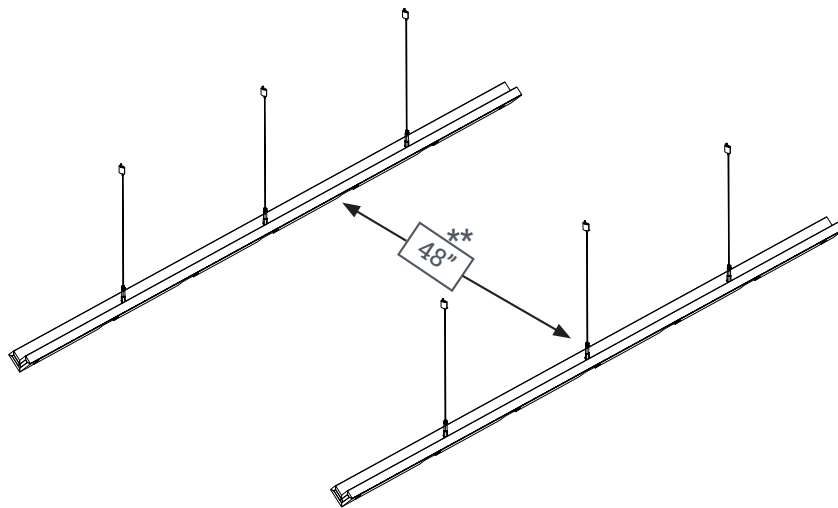


Thread a length of cable through the gripper and release the plunger to lock it in place until further steps.

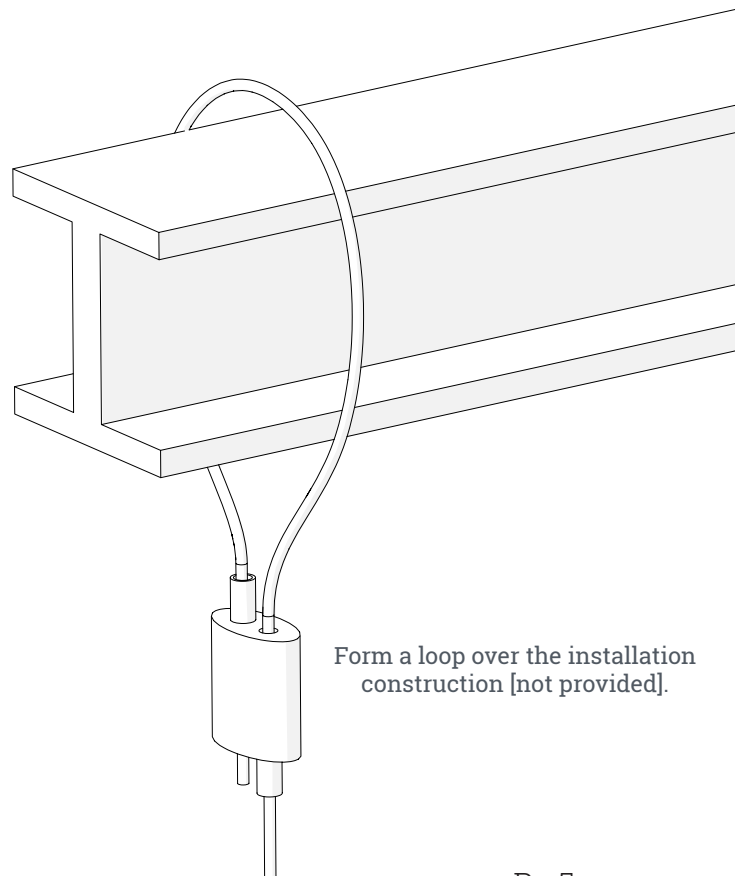


BAFL KIT: INSTALLATION INSTRUCTIONS

- 3** Lay out the rails underneath the installation space with a gap of 48"^{**} in between. Maintain this distance when hanging the rails from the ceiling. Ensure each rail is level before proceeding.



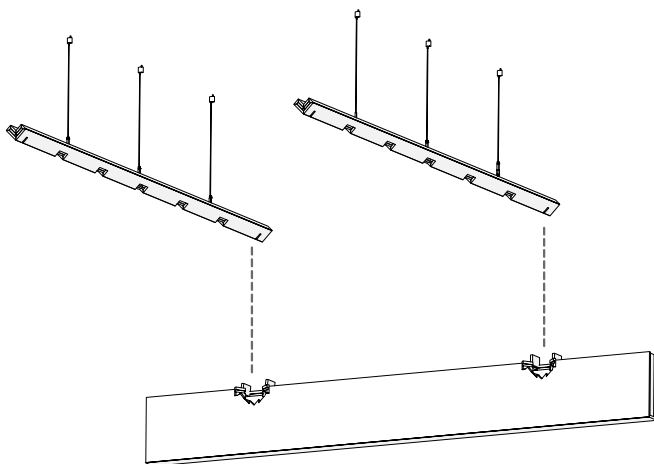
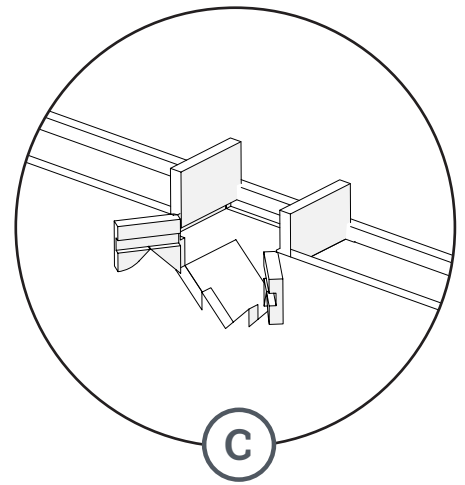
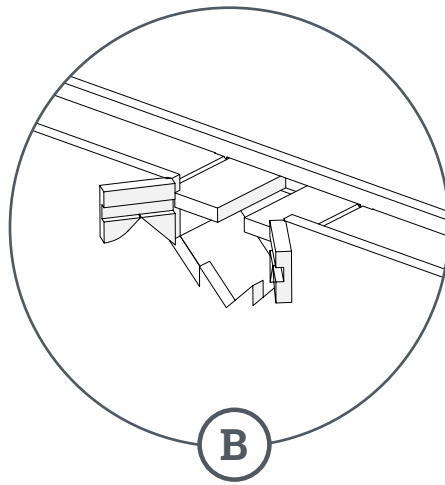
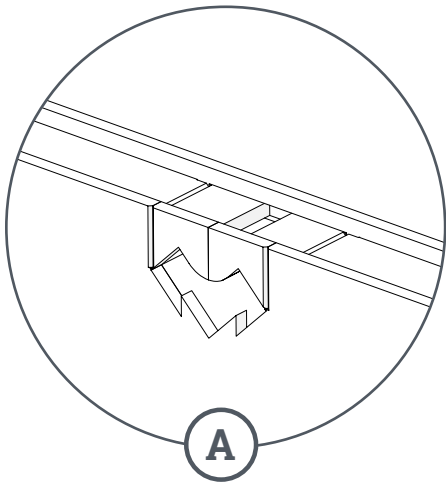
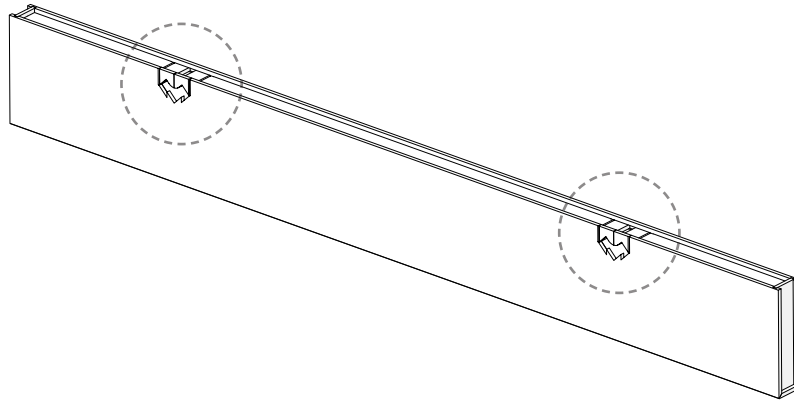
Press down on the plunger while inserting the cable through each opening. Release the plunger to lock the cable in place.



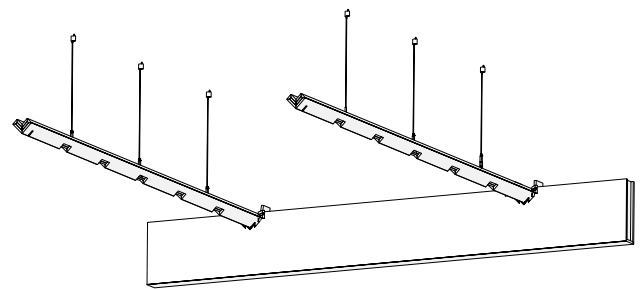
Form a loop over the installation construction [not provided].

BAFL KIT: INSTALLATION INSTRUCTIONS

- 4** Open the flaps at the connection points on the END BAFLs as shown, and slot them into the rails.

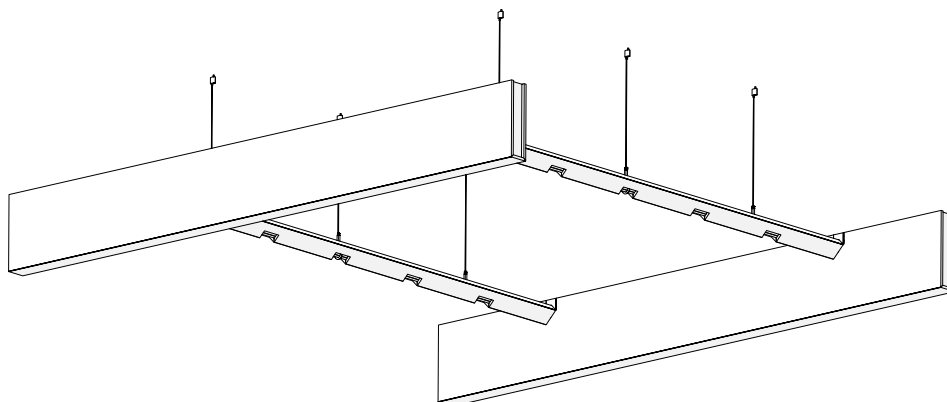
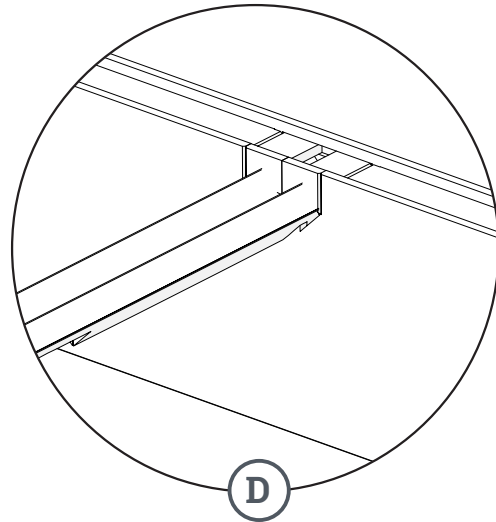
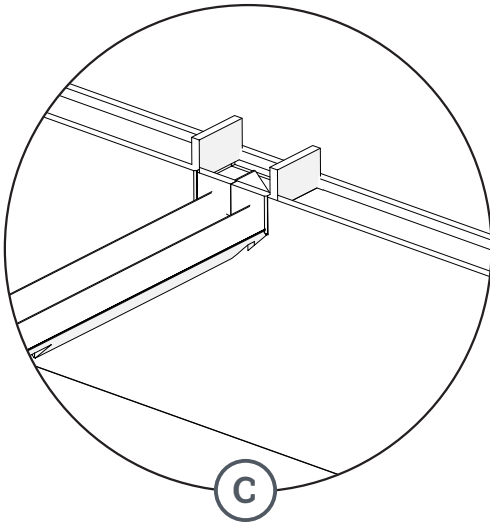
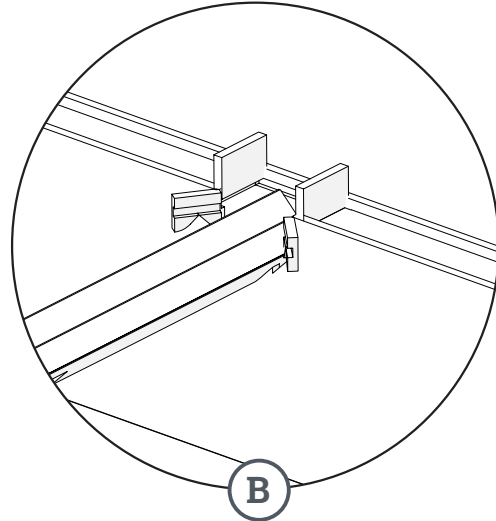
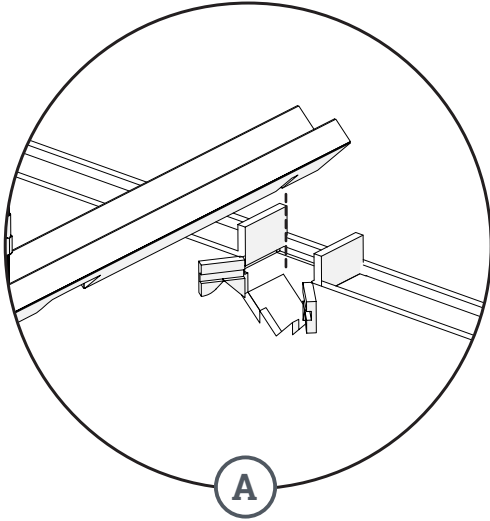


D



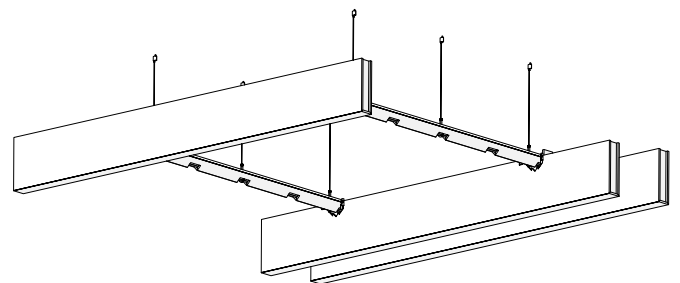
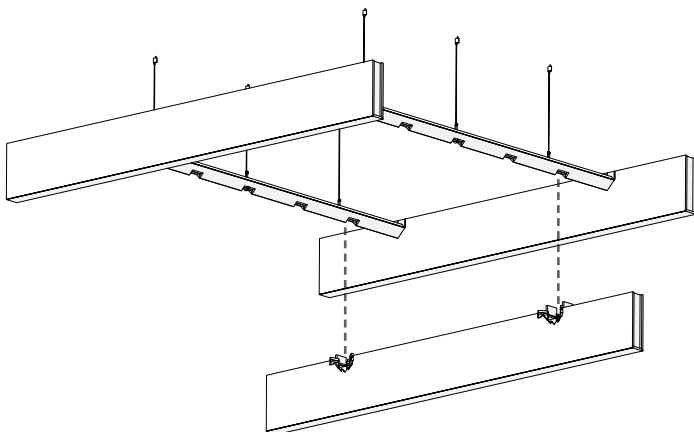
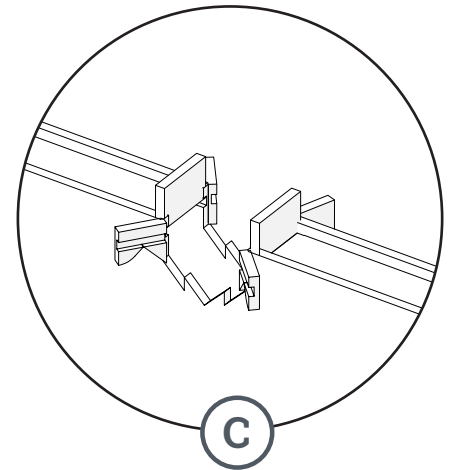
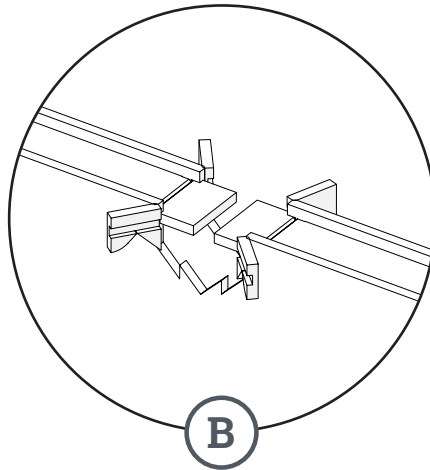
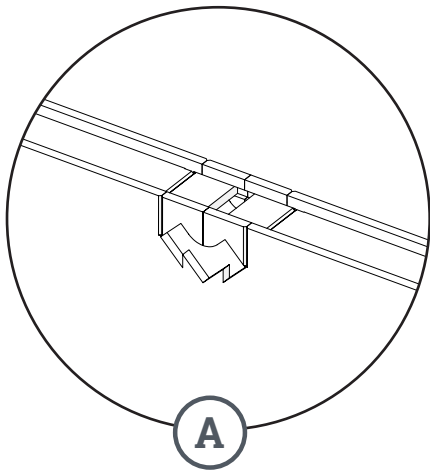
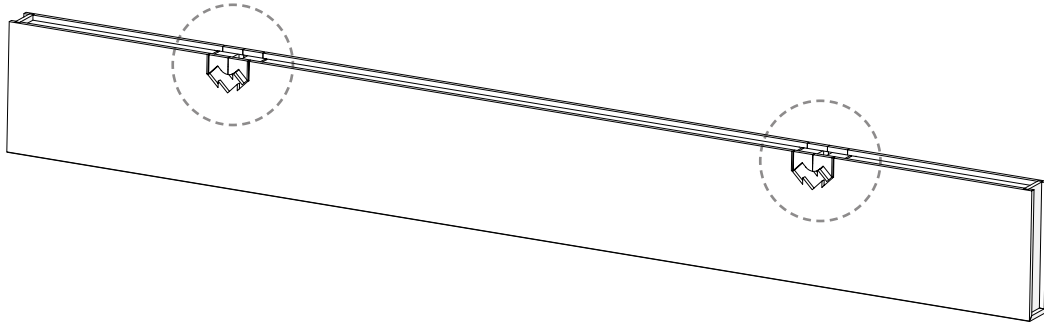
BAFL KIT: INSTALLATION INSTRUCTIONS

- 5** Secure the flaps of the BAFLs around the railing as shown. Repeat for the addition END BAFL.



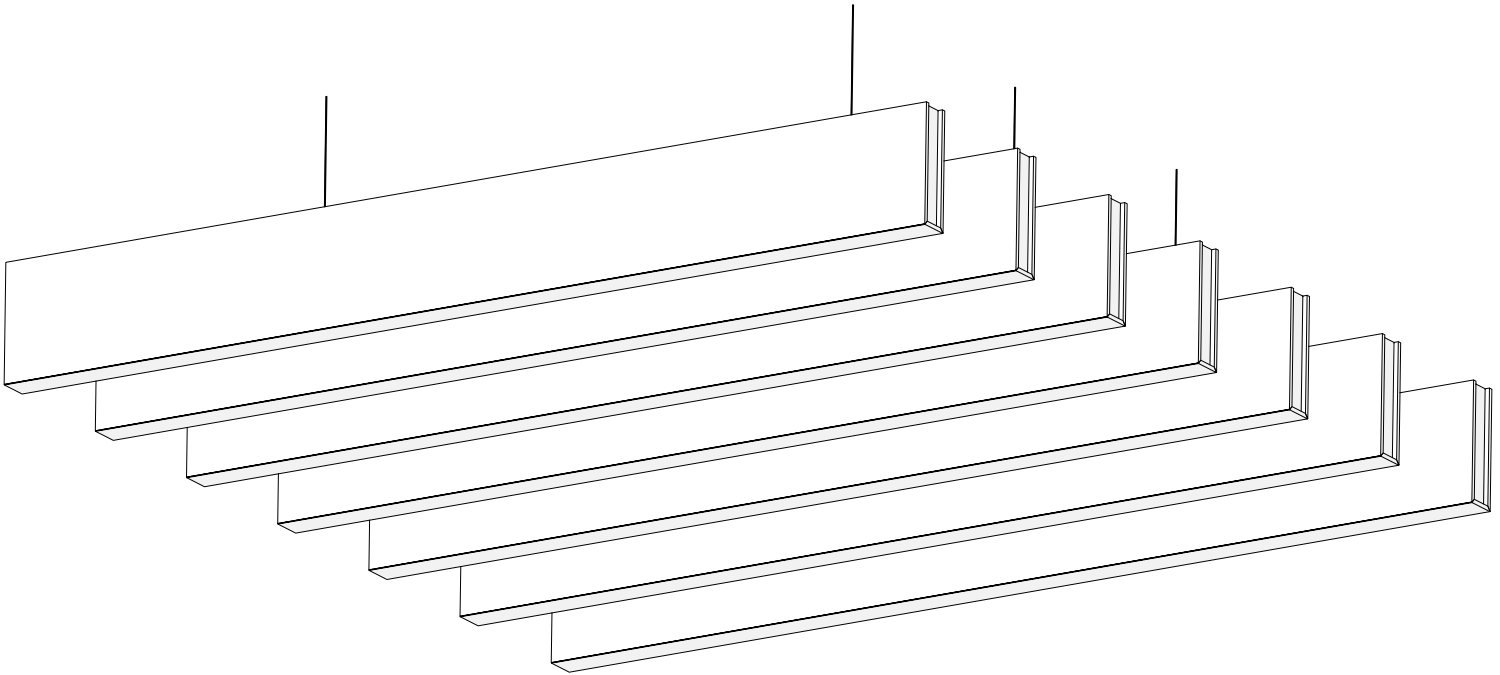
BAFL KIT: INSTALLATION INSTRUCTIONS

- 6** Open the flaps at the connection points on the MIDDLE BAFLs as shown, and slot them into the rails.



BAFL KIT: INSTALLATION INSTRUCTIONS

- 8 Install the remaining middle BAFLs and secure the flaps as shown in previous steps to complete the installation .



Installation Complete.