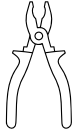


BEND LIGHT Installation

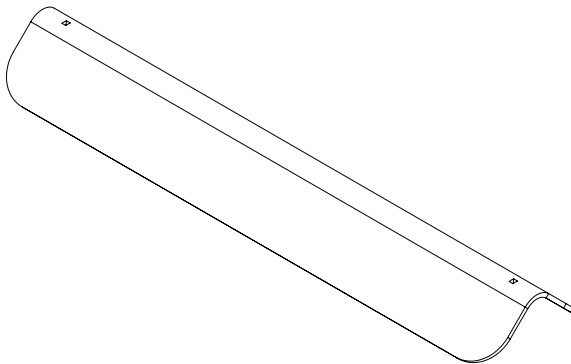
These installation suggestions consist of a common process for BEND LIGHT installation. Installers should rely upon their own professional experience and understanding of their unique requirements to ensure a successful install.

Tools Needed

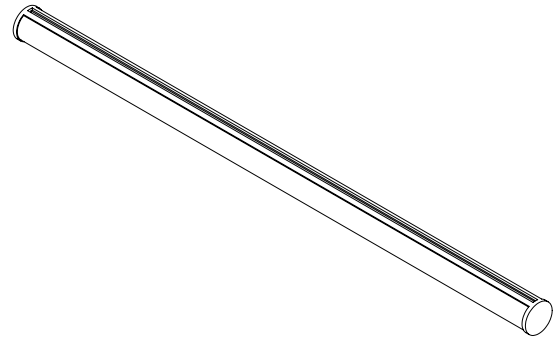


Cable Cutter

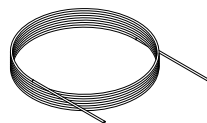
Items Included



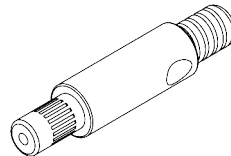
BEND LIGHT Shell



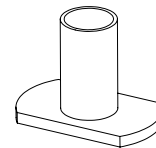
Light



Aircraft Cable

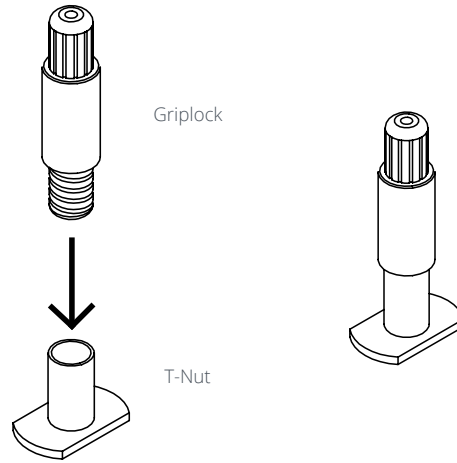


Griplock

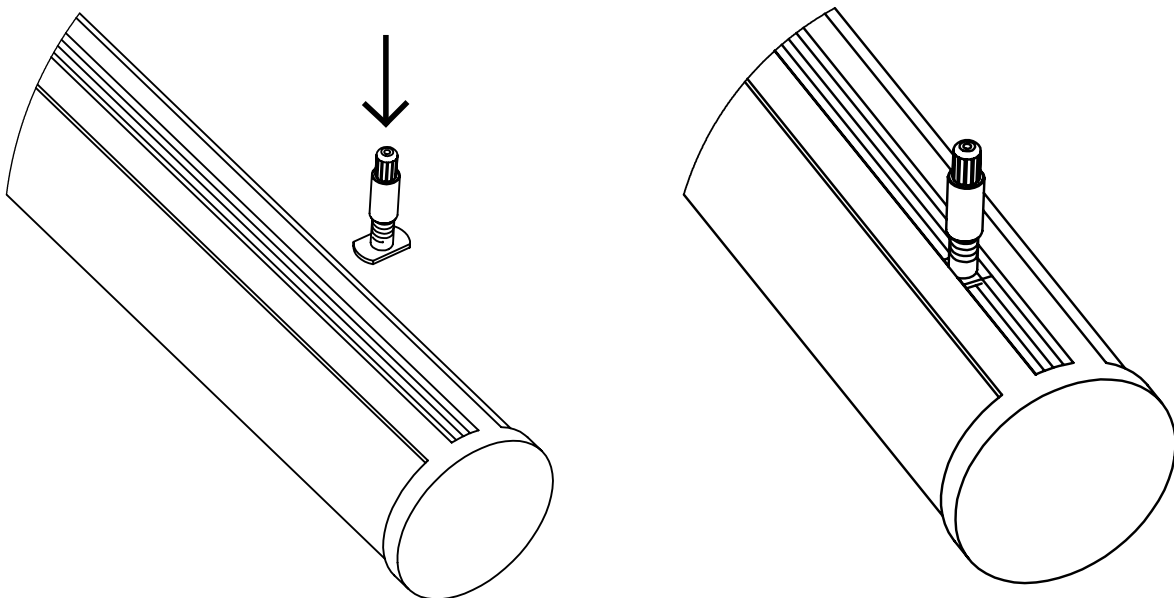


T-Nut

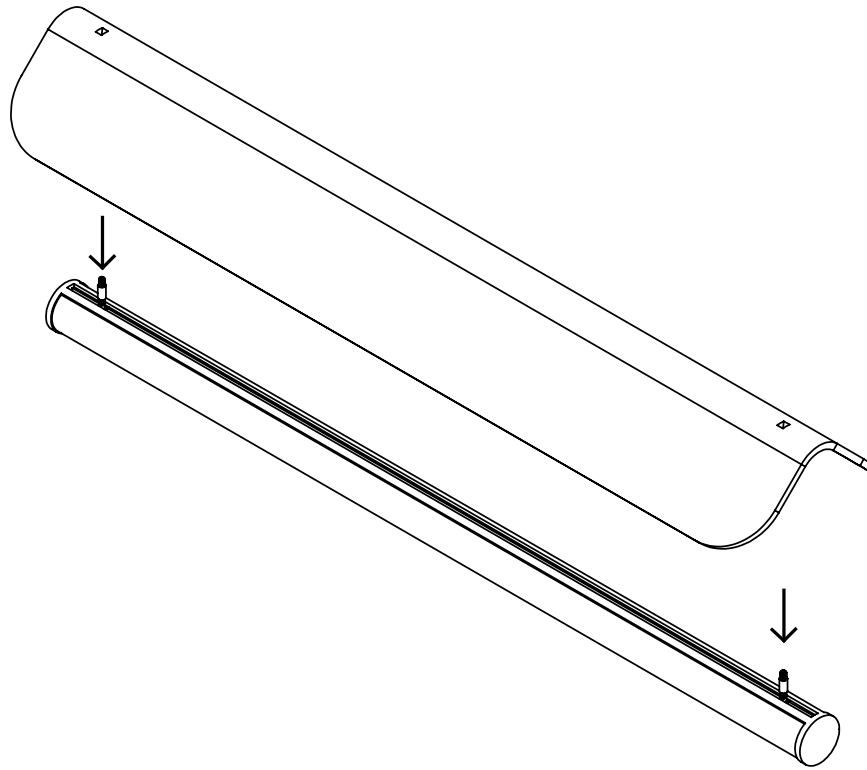
1. Screw the Griplock into the T-Nut. Do this 2x.



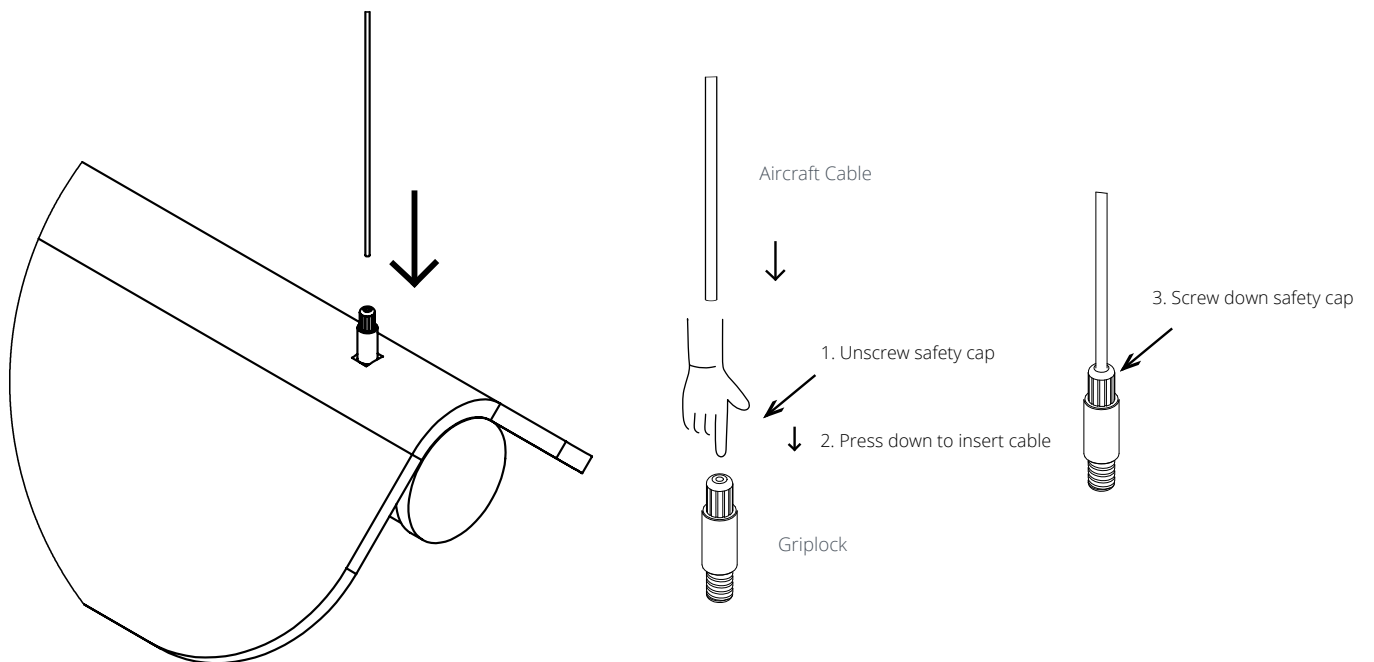
2. Insert the bottom of the T-Nut into the channel on the top of the Light in two locations on both ends. Twist to fit and secure properly.



3. Take the BEND LIGHT Shell and place on top of the Light, with each Griplock inserted through the holes on both ends of the shell.



4. Install the Aircraft Cable into each Griplock on both ends of the shell. Tighten the top of the Griplock to ensure each cable is secure.



5. Finish the installation.

