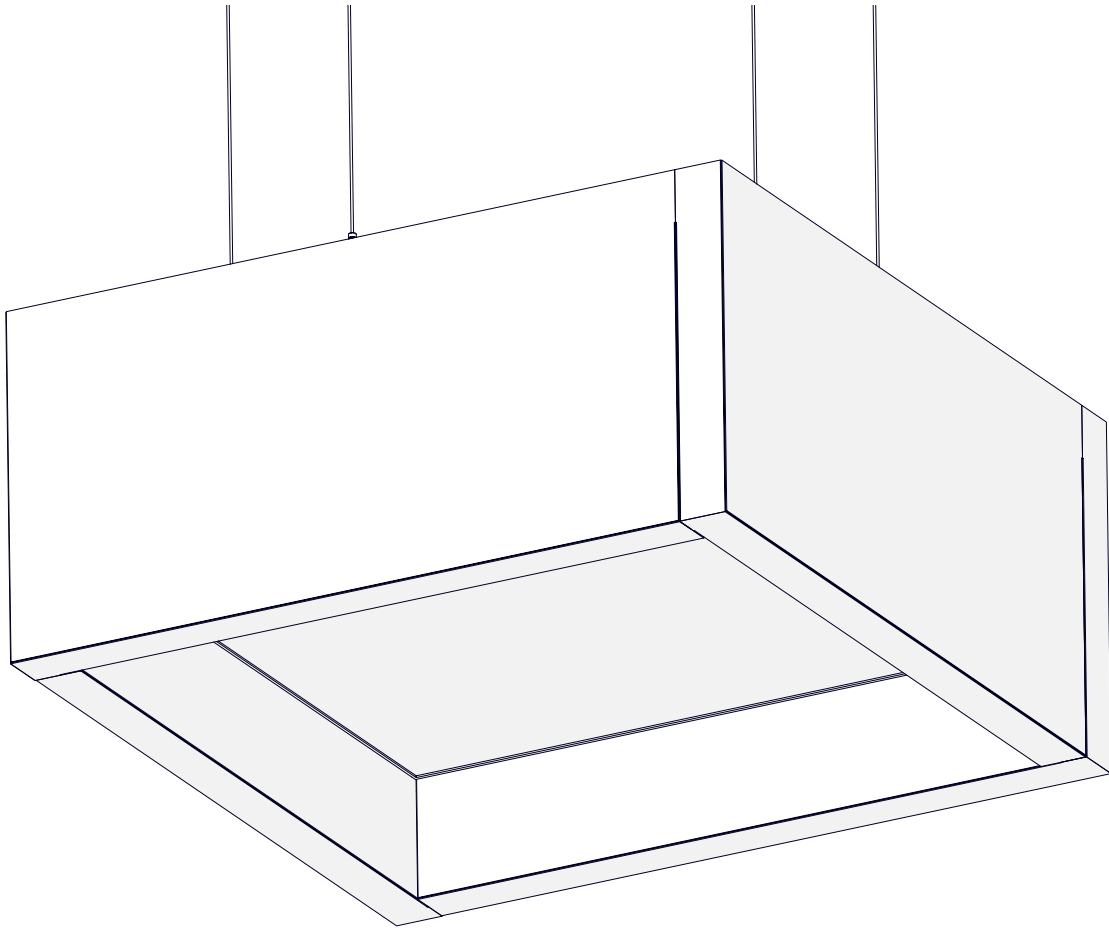
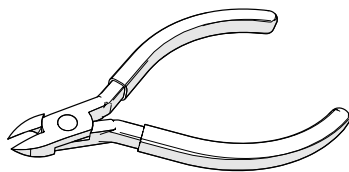


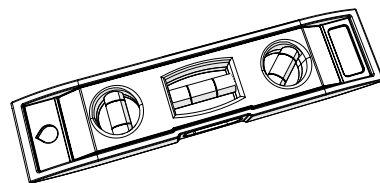
BOX BAFL: INSTALLATION INSTRUCTIONS



TOOLS REQUIRED

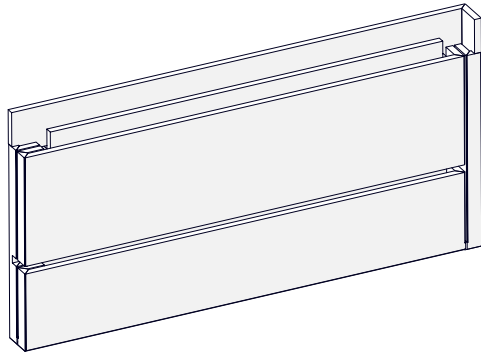


Wire Cutters

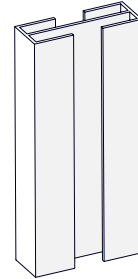


Bubble Level

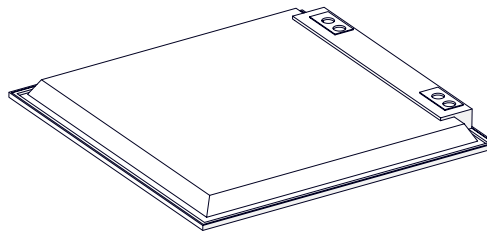
BOX BAFL: INCLUDED COMPONENTS



BOX Panel [x4]

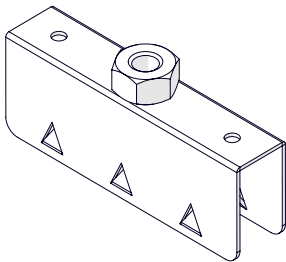


2-Way Connector [x1]

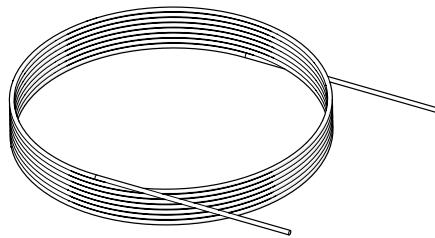


LED Light 24"x24" 30W [x1]

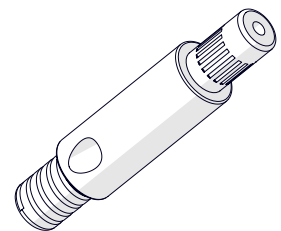
INCLUDED HARDWARE



Spike Bracket [x4]



Aircraft Cable [3ft]

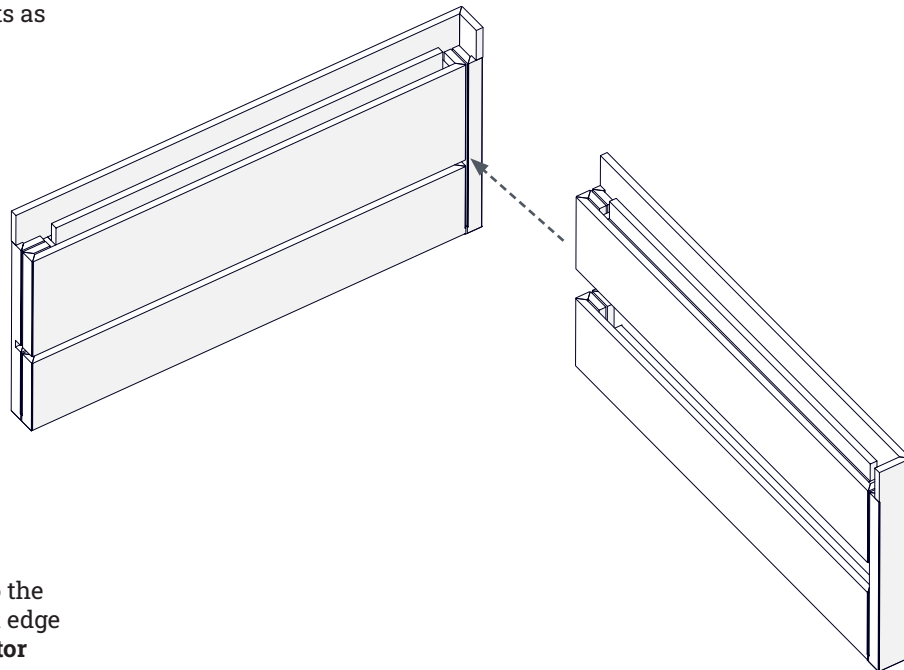


Standard Gripper [x4]

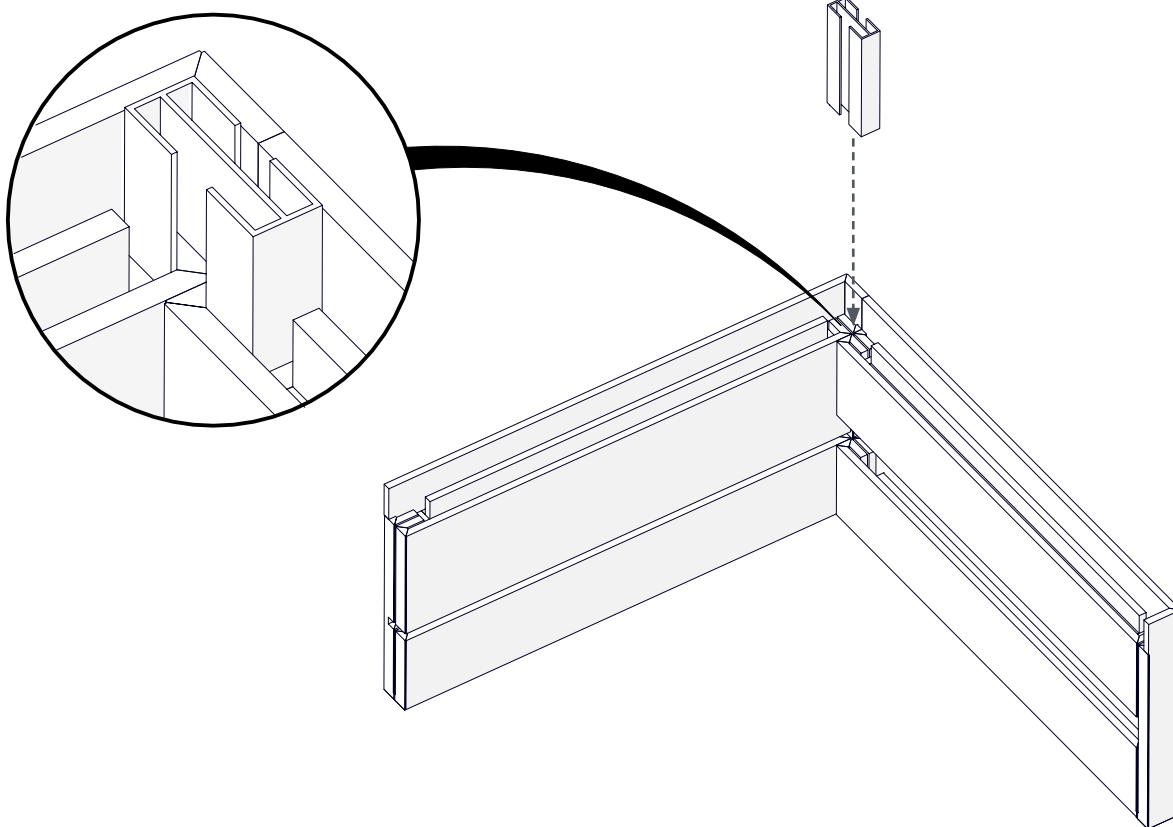
BOX BAFL Ships with this standard hardware kit, which does not include direct to ceiling mounting hardware. Please contact support@frasch.com to evaluate your site conditions and select an appropriate hardware configuration, prior to shipping.

BOX BAFL: INSTALLATION INSTRUCTIONS

Step 1: Align 2 side panels at the joints as shown.

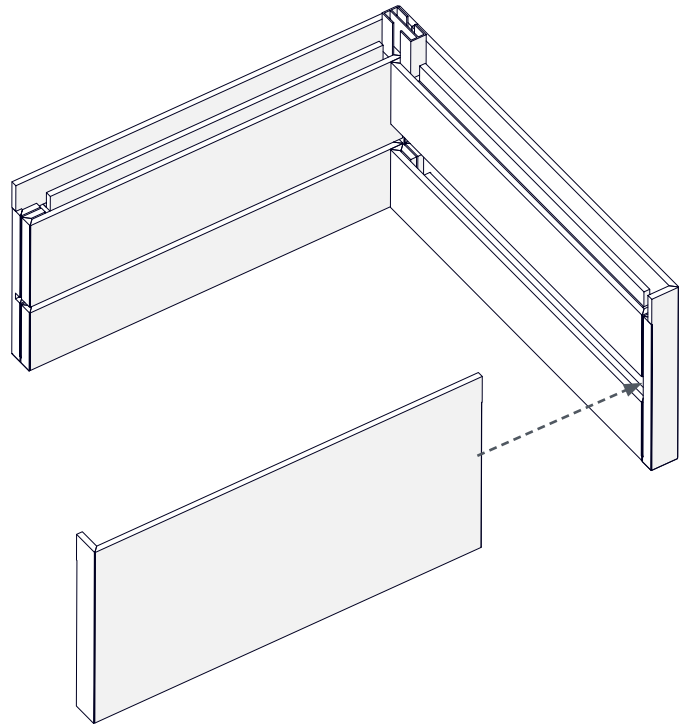


Step 2: Insert a 2-way connector into the joint until it is flush with the highest edge of the felt. **DO NOT press the connector further until light is installed.**



BOX BAFL: INSTALLATION INSTRUCTIONS

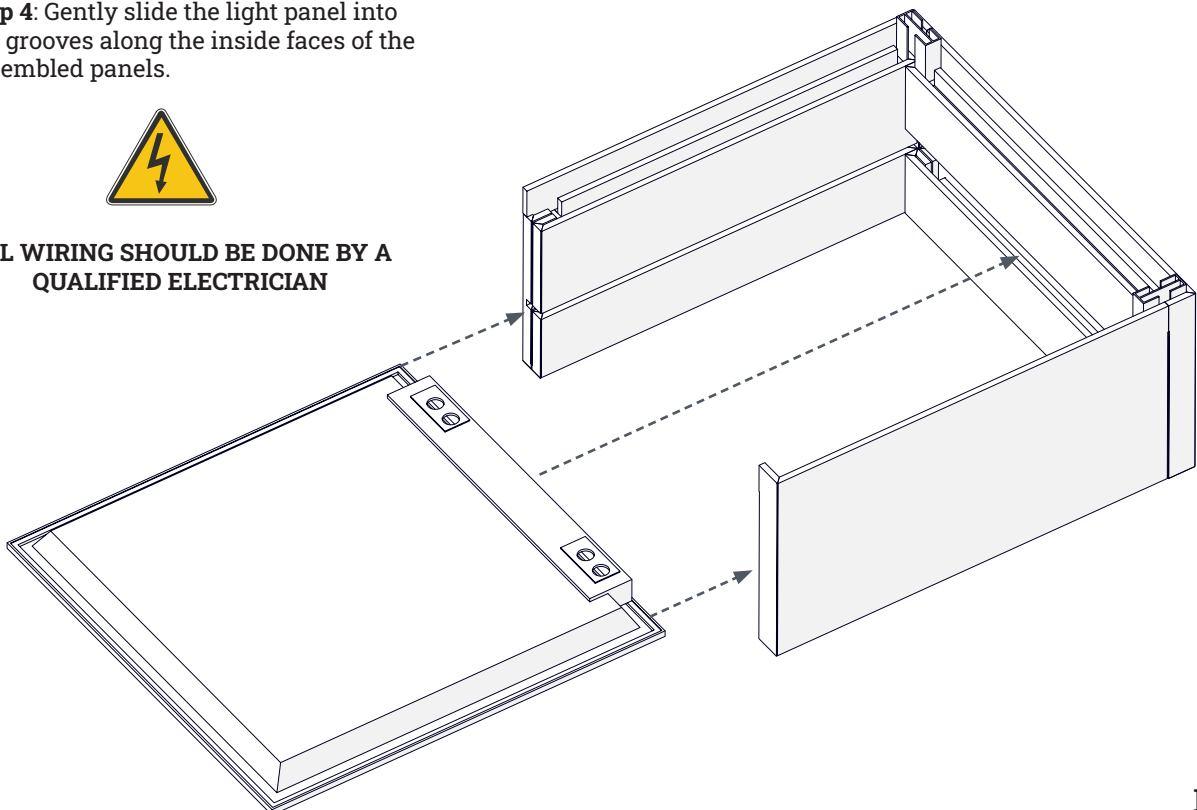
Step 3: Align a 3rd panel and insert the 2-way connector as in step 2.



Step 4: Gently slide the light panel into the grooves along the inside faces of the assembled panels.

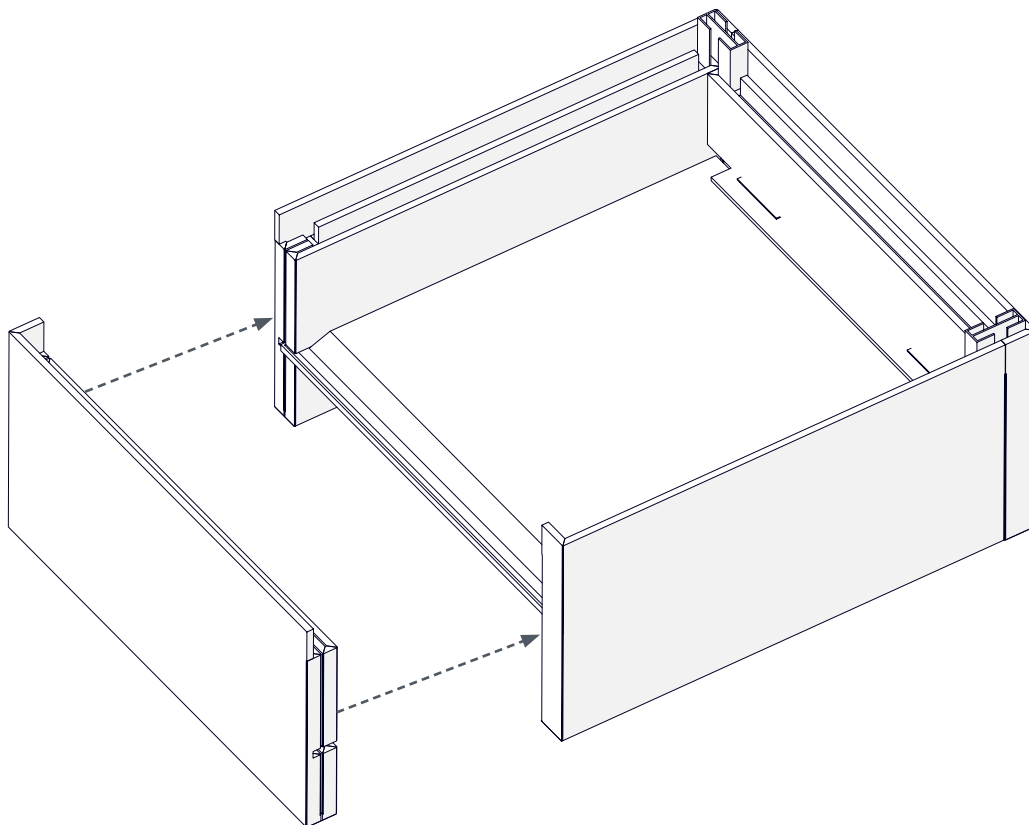


ALL WIRING SHOULD BE DONE BY A QUALIFIED ELECTRICIAN

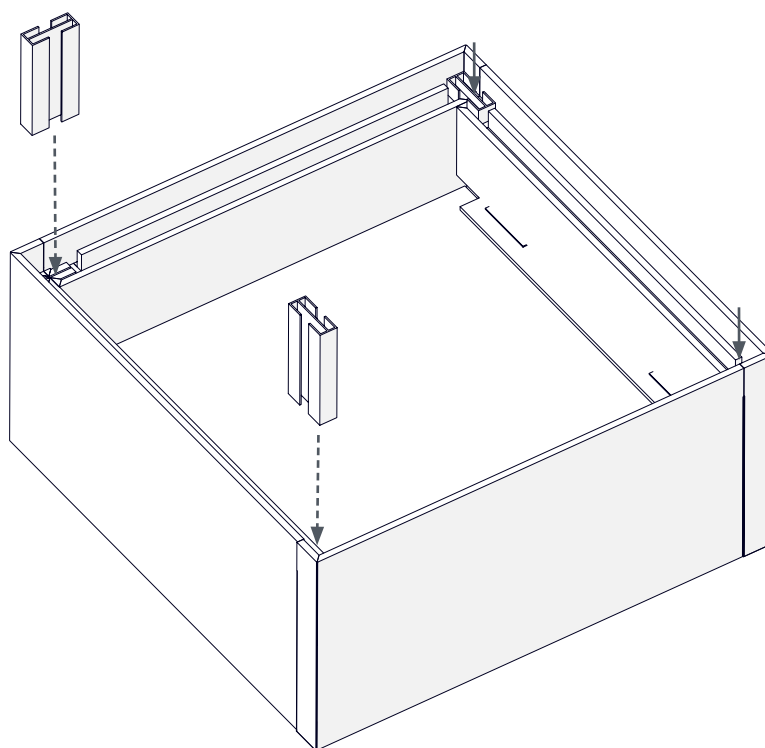


BOX BAFL: INSTALLATION INSTRUCTIONS

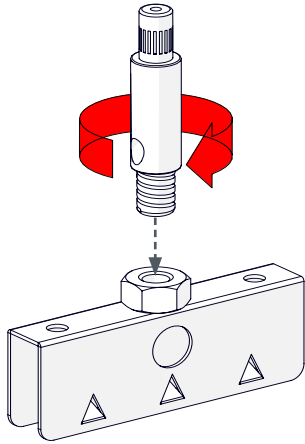
Step 5: Align the final panel.



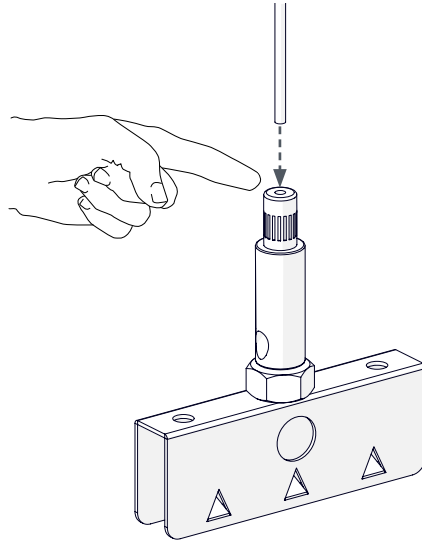
Step 6: Insert the final connectors and press the previously installed connectors to full depth.



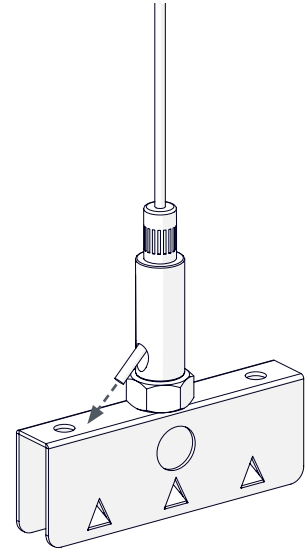
BOX BAFL: INSTALLATION INSTRUCTIONS



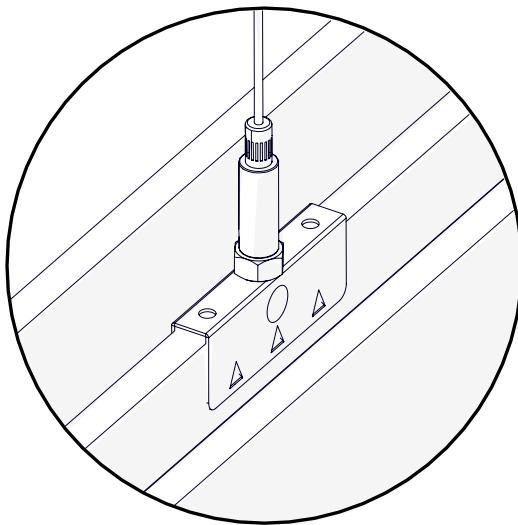
Step 7: Screw the gripper into the spike bracket.



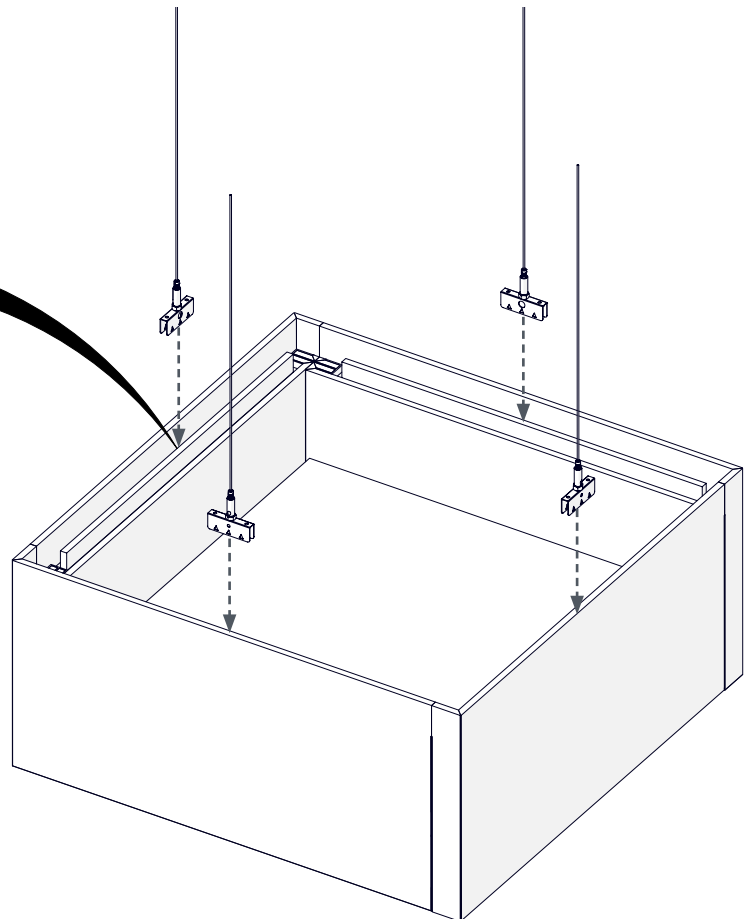
Step 8: Press firmly on the gripper plunger while inserting the cable.



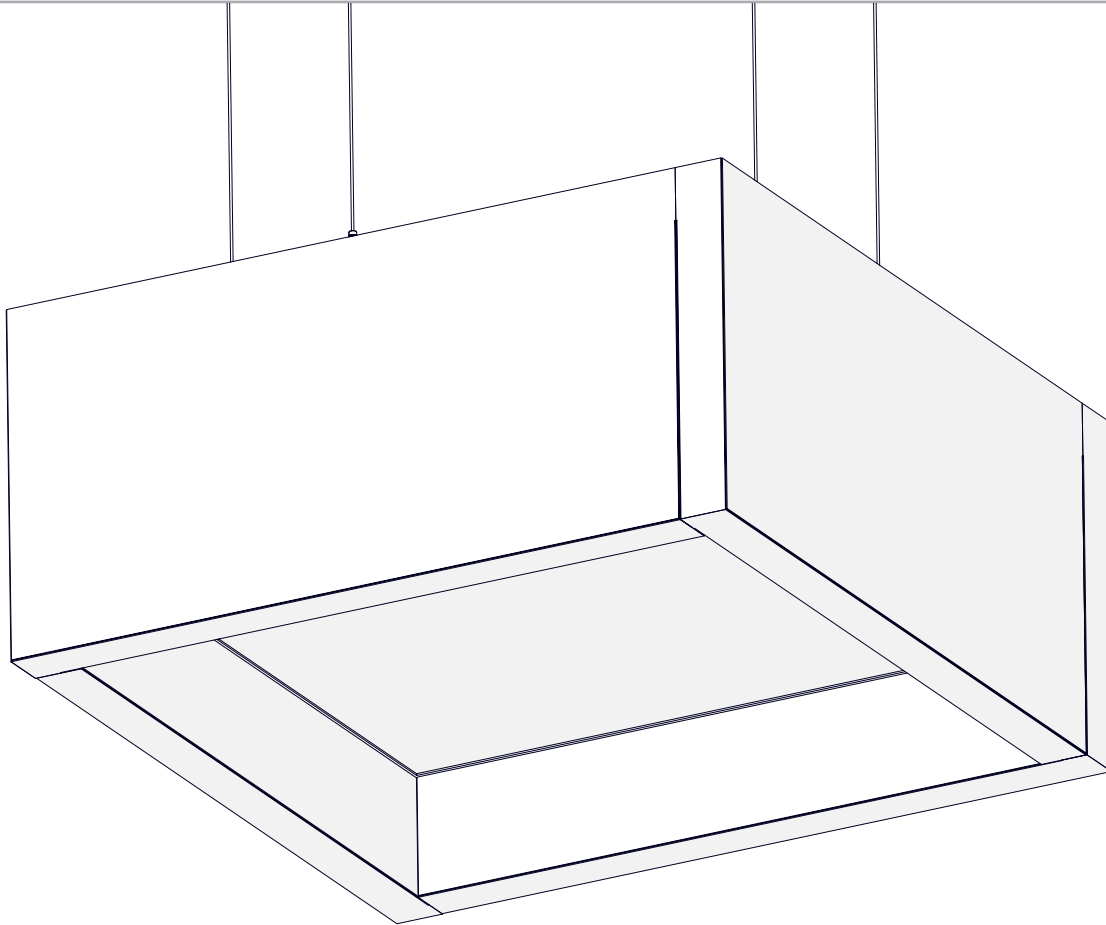
Step 9: Thread the cable through the side exit while pressing the plunger. Release the plunger to lock cable in place.



Step 10: Press each spike bracket firmly on to the center felt strips on the top of the BOX BAFL. To ensure proper installation and a leveled baffle, the brackets should be centrally located.



BOX BAFL: INSTALLATION INSTRUCTIONS



Step 11: Hang and level BOX BAFL. Use the locking mechanisms on each gripper to make adjustments.

Installation complete.