

BRIK 2.0 Installation

Acoustical Wall Panels

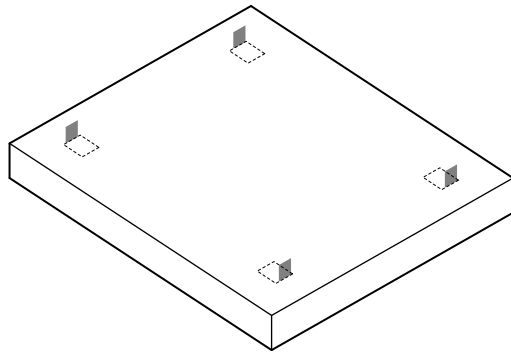
These installation suggestions consist of a common process for BRIK 2.0 installation. Installers should rely upon their own professional experience and understanding of their unique requirements to ensure a successful install.

Tools Needed



Drill

Items Included

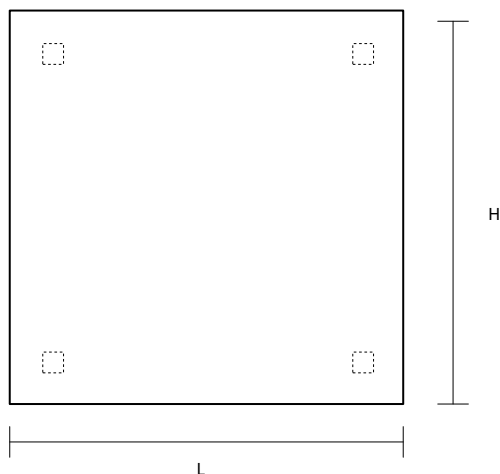


BRIK 2.0 Tiles



Screws

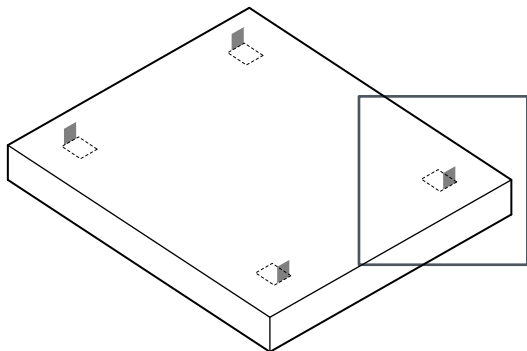
-
1. Unwrap tiles from plastic wrap. Confirm tile dimensions match your needs.



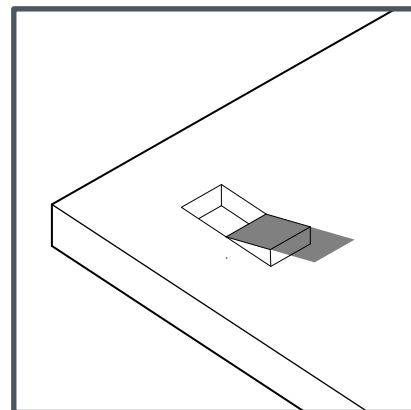
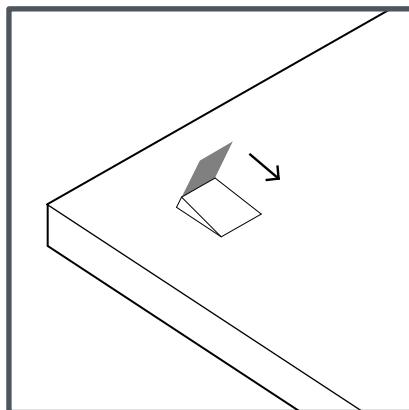
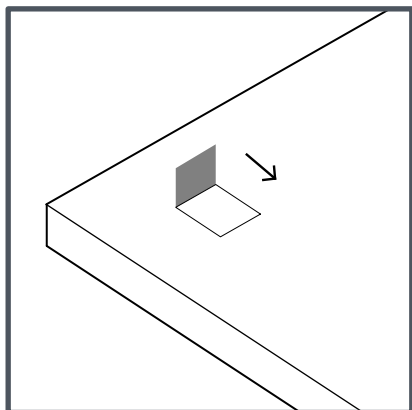
BRİK 2.0 Installation

Acoustical Wall Panels

2. Locate the STD strip (Secret Trap Door) at all four corners and carefully pull it to open the trap door.



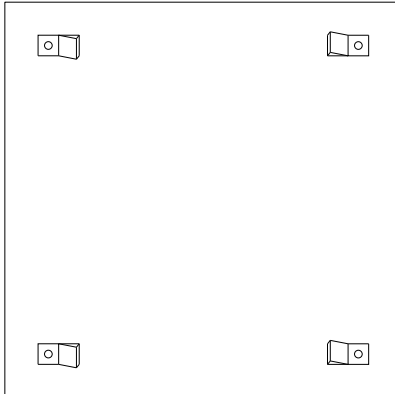
3. Pull the STD (Secret Trap Door) strip to open the trap door - use caution to not tear the hinge off.



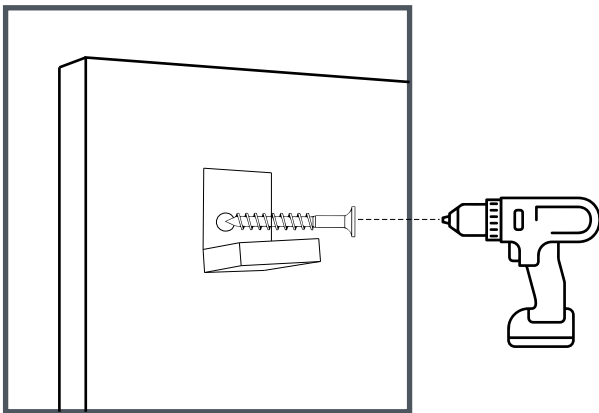
BRİK 2.0 Installation

Acoustical Wall Panels

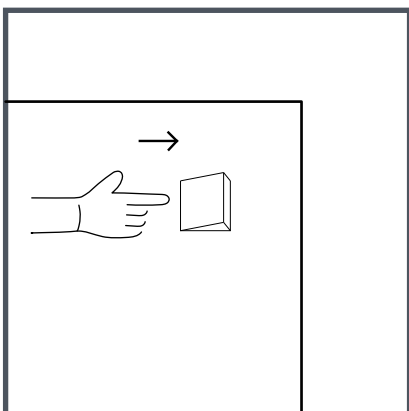
4. Pull all the trap doors open before installing.



5. Use the drywall screw to mount.



6. Close the door to finish installation.



BRİK 2.0 Installation

Acoustical Wall Panels

7. Example layout:

