

CANOE BAFL Installation

Acoustical Baffle

These installation suggestions consist of a common process for CANOE BAFL installation. Installers should rely upon their own professional experience and understanding of their unique requirements to ensure a successful install.

Tools You Will Need



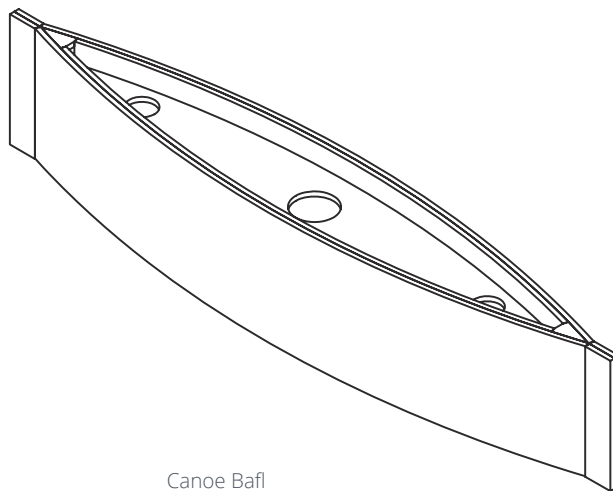
Cable Cutter

Optional



1/16" Aircraft Cable
Additional length required, if any, will be determined by site needs

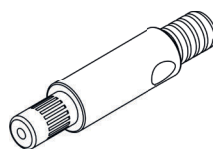
Items Included



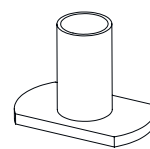
Canoe Bafll



1/16" Aircraft Cable
3' per baffle included
Additional length required, if any, will be determined by site needs



(2) Griplock



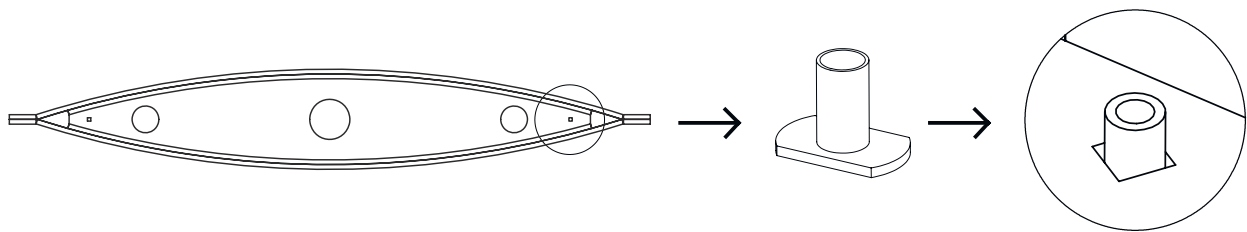
(2) T-Nut

CANOE BAFL Installation

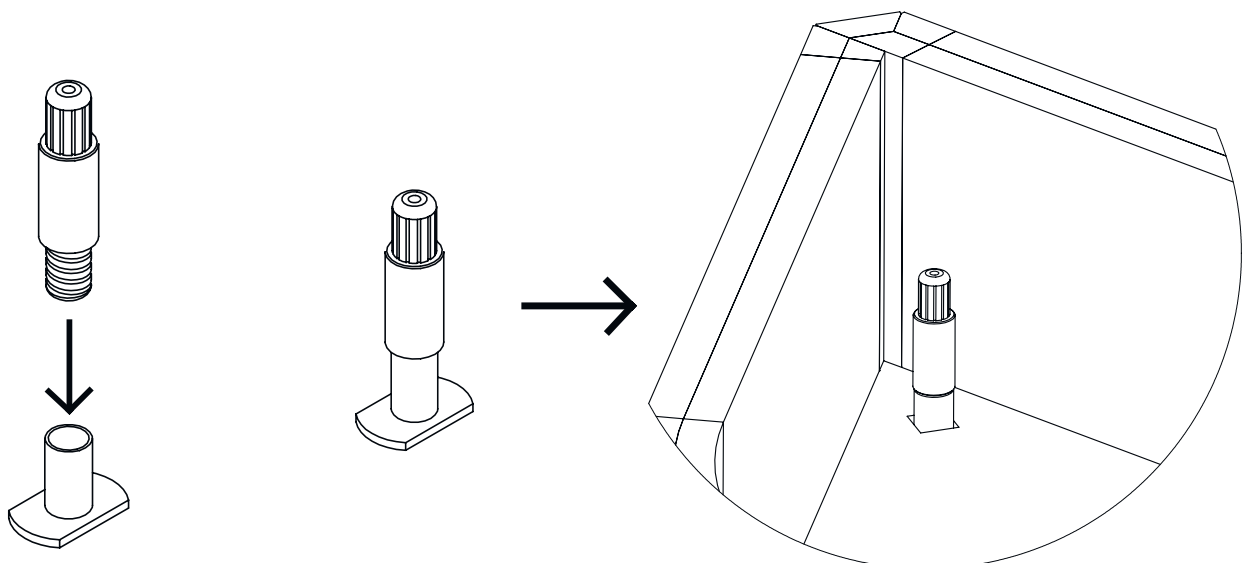
Acoustical Baffle

1. If CANOE BAFL already has both T-Nuts pre-installed, proceed to step 2. Continue with step 1 if T-Nuts need manual placement.

Take the T-Nut and place under the top layer of material through the hole on both ends of the CANOE BAFL. Reach through the bigger hole from the top to insert the T-Nut from the underside.



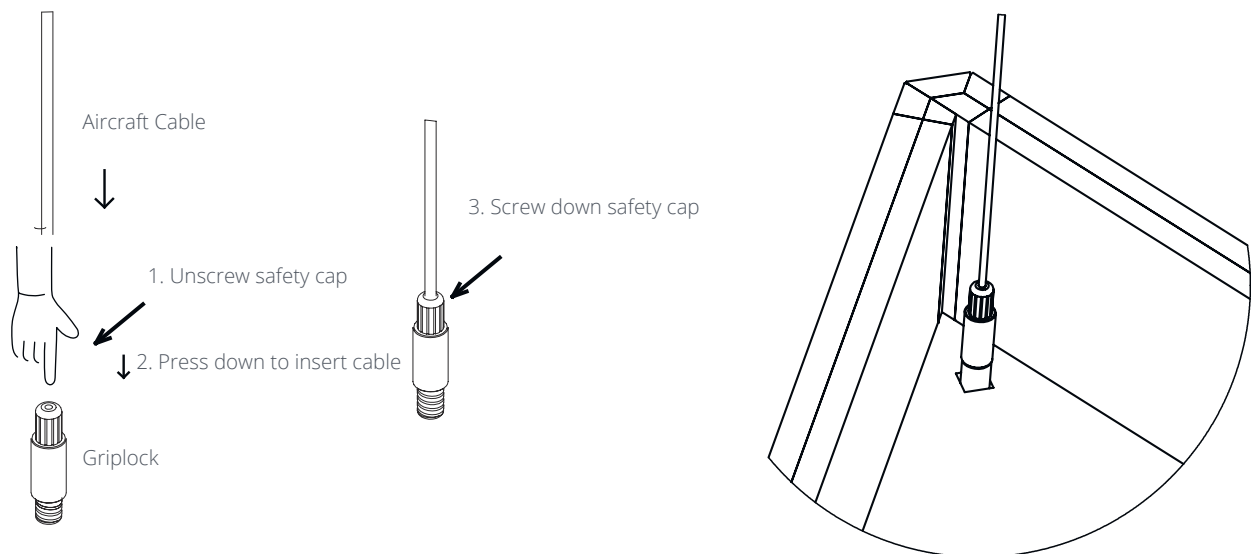
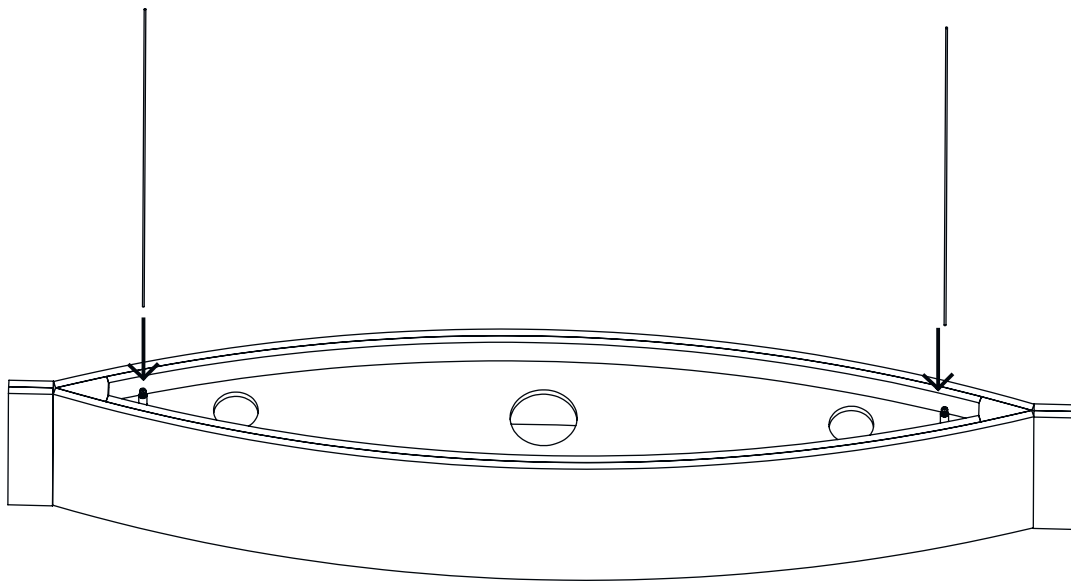
2. Screw the Griplock into the T-Nut while the T-Nut is inserted inside the hole. Do this for both ends of the CANOE BAFL.



CANOE BAFL Installation

Acoustical Baffle

3. Install the Aircraft Cable into each Griplock on both ends of the CANOE BAFL. Tighten the top of the Griplock to ensure each cable is secure.



CANOE BAFL Installation

Acoustical Baffle

4. Finish the installation.

