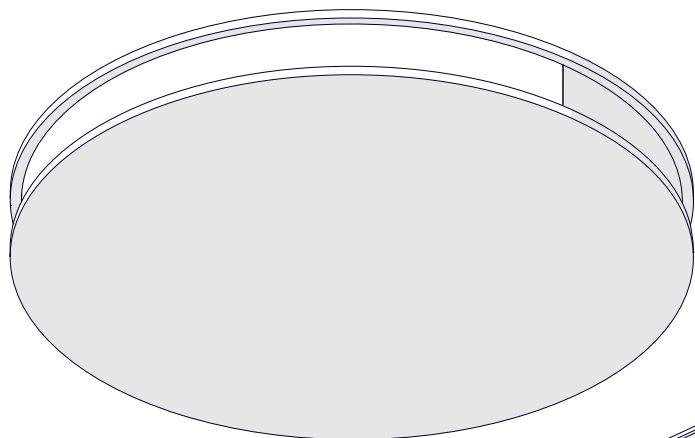
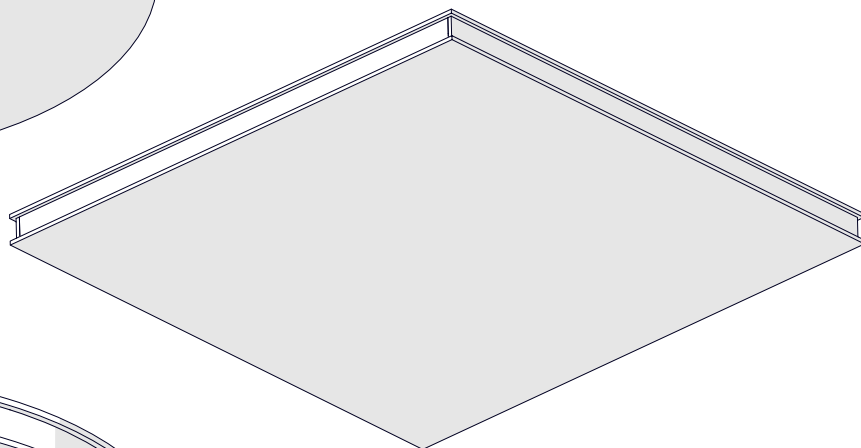


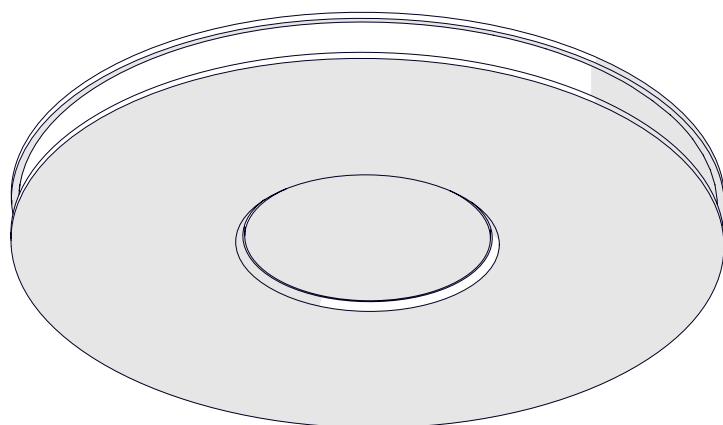
CLOUD: INSTALLATION INSTRUCTIONS [ALL VARIANTS]



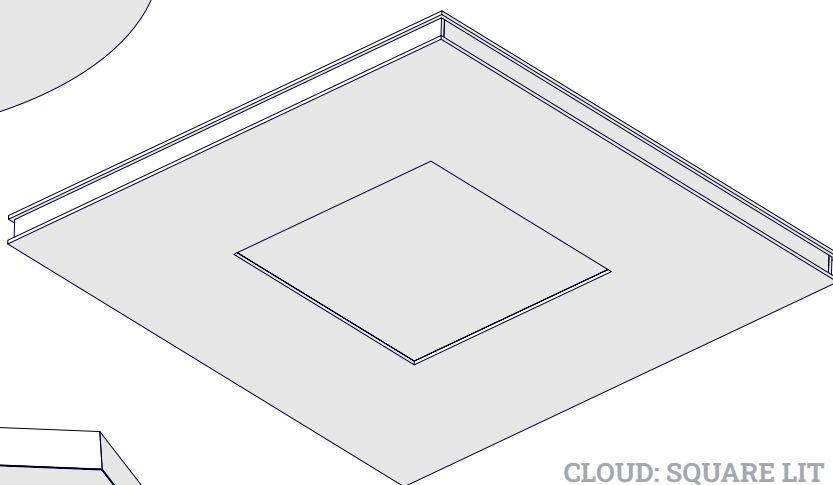
CLOUD: ROUND NON-LIT



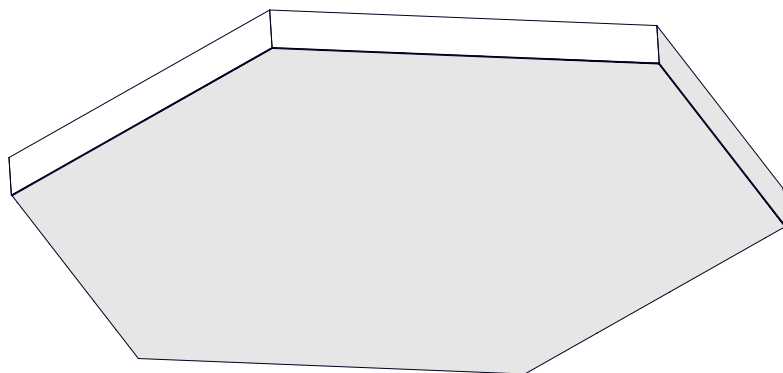
CLOUD: SQUARE NON-LIT



CLOUD: ROUND LIT



CLOUD: SQUARE LIT

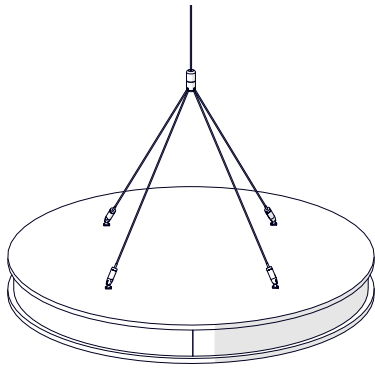


CLOUD: HEX [NON-LIT ONLY]

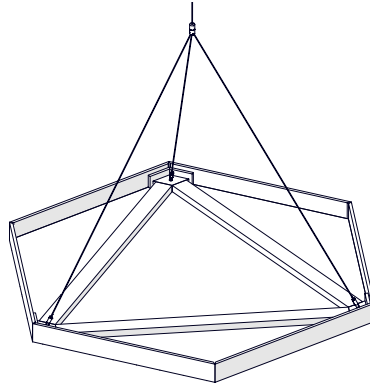
CLOUD: HARDWARE CONFIGURATIONS

Standard Kits

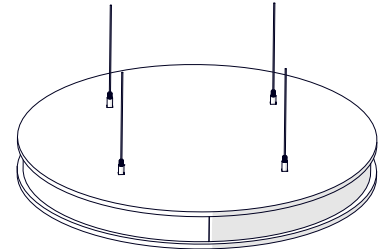
These kits do not include direct-to-ceiling hardware.



Kit #04



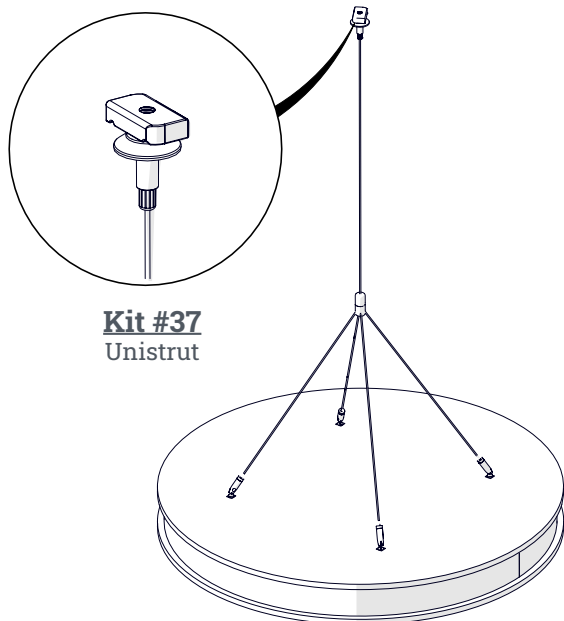
Kit #18 [Hex only]



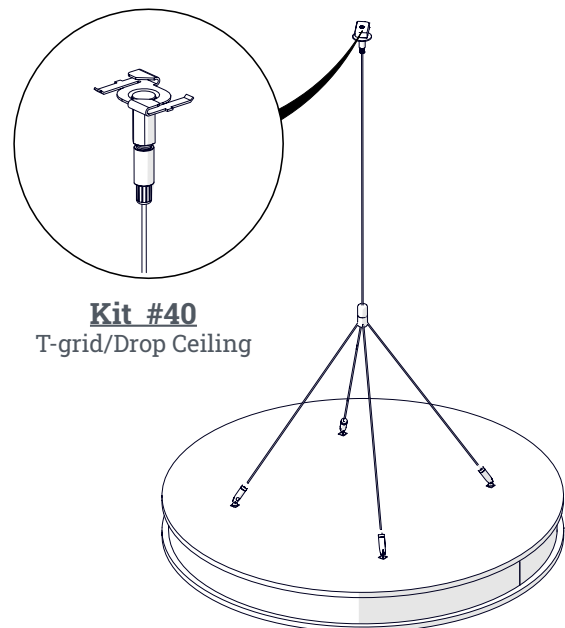
Kit #47

Supplemental Kits

Additional kits compatible with all CLOUD types are available to accommodate your unique ceiling conditions. .



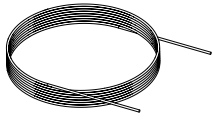
Kit #37
Unistrut



Kit #40
T-grid/Drop Ceiling

CLOUD: HARDWARE OPTIONS

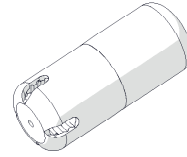
HARDWARE KIT #04 [4 - WAY SPUTNIK]



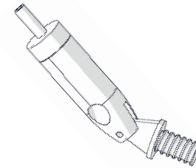
Aircraft Cable [1.5ft]



Aircraft Cable Ball End [6ft]

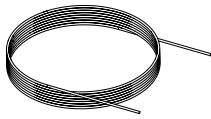


4-Way Sputnik [x1]

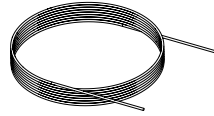


Jointed Gripper [x4]

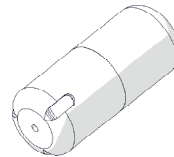
HARDWARE KIT #18 [3 - WAY SPUTNIK]



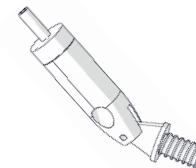
Aircraft Cable [1.5ft]



Aircraft Cable Ball End [6ft]

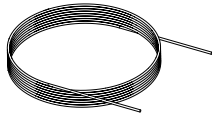


3-Way Sputnik [x1]

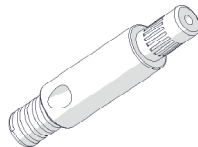


Jointed Gripper [x4]

HARDWARE KIT #47 [STANDARD GRIPPER]



Aircraft Cable [6ft]

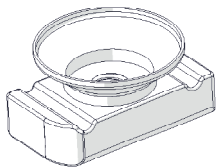


Standard Gripper [x4]

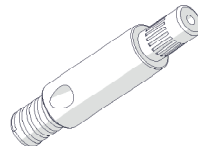


Exact hardware quantities may vary based on your specific needs or configurations. Please confirm you have to correct kit and quantities at time of delivery.

HARDWARE KIT #37 [UNISTRUT]

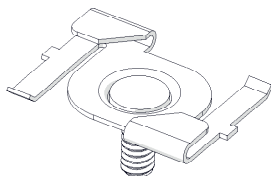


Nylon Cone Nut [x1]

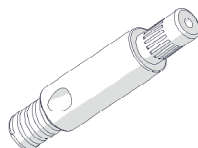


Standard Gripper [x1]

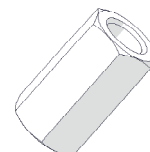
HARDWARE KIT #40 [T-GRID/DROP CEILING]



T-Grid Bracket [x1]



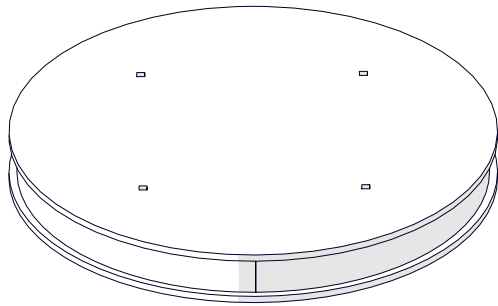
Standard Gripper [x4]



1/4-20" Coupling

CLOUD ROUND - NON LIT

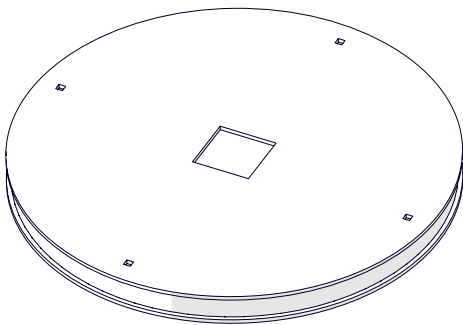
INCLUDED COMPONENTS



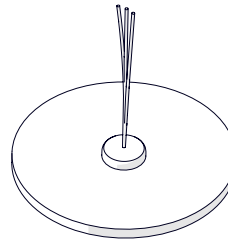
Cloud Round - Non-Lit [x1]

CLOUD ROUND - LIT

INCLUDED COMPONENTS



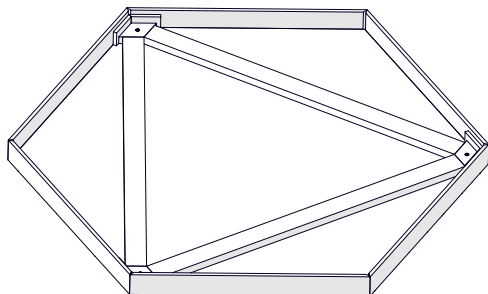
Cloud Round - Lit [x1]



15" Circle light [x1]
[Shipped seperately]

CLOUD HEX

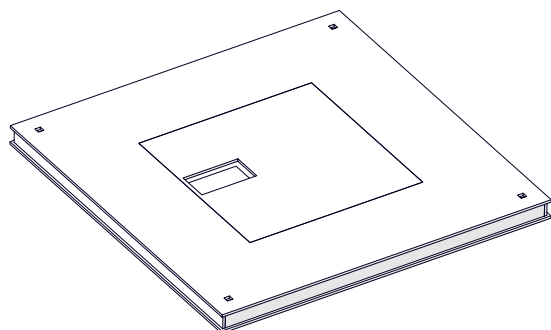
INCLUDED COMPONENTS



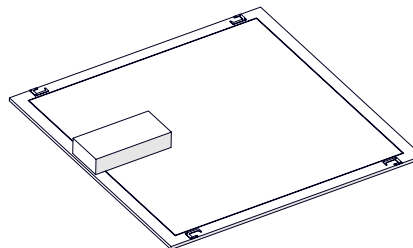
Cloud Hex [x1]

CLOUD SQUARE - LIT

INCLUDED COMPONENTS



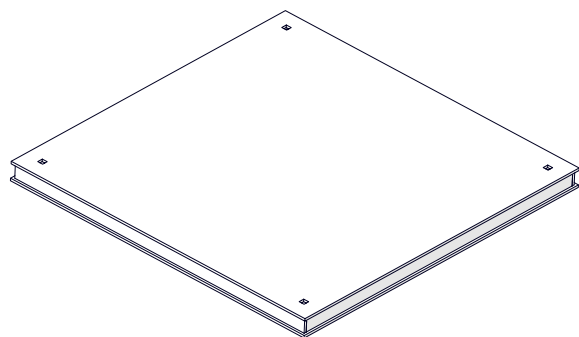
Cloud Square - Lit [x1]



LED Light - Square [x1]
[Shipped Separately]

CLOUD SQUARE - NON LIT

INCLUDED COMPONENTS



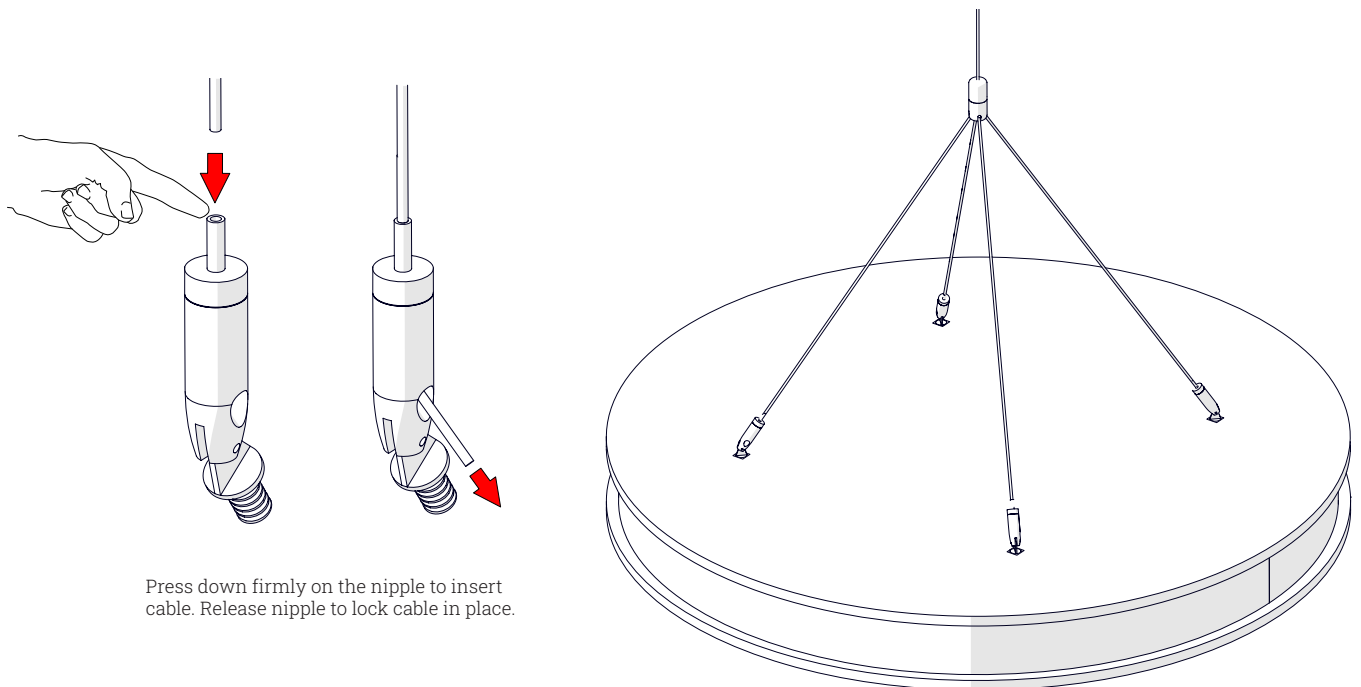
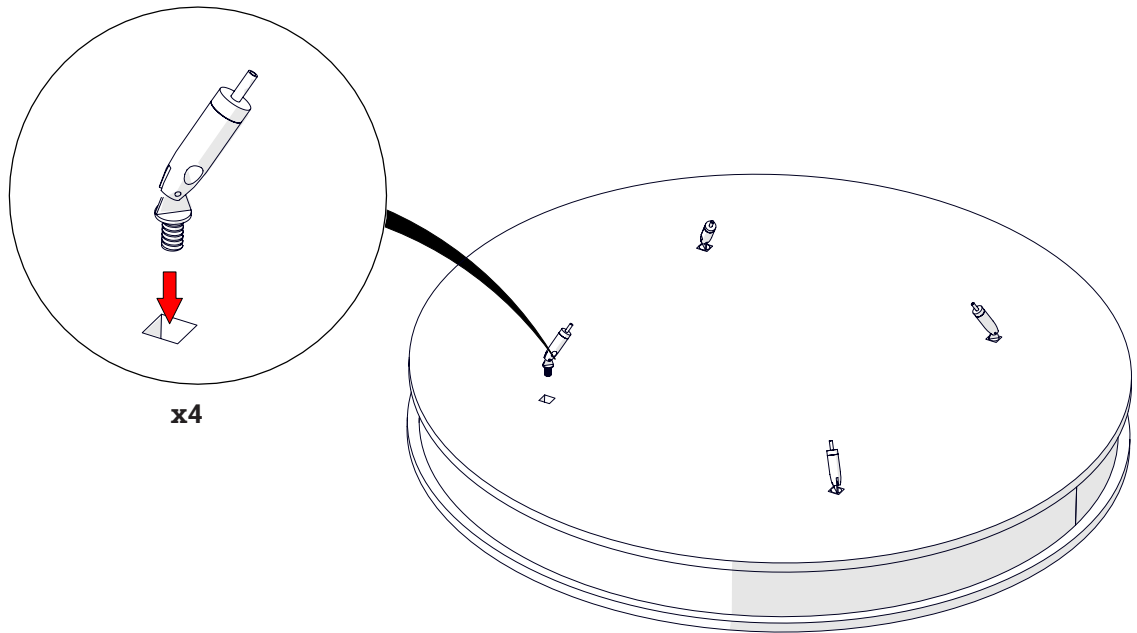
Cloud Square - Non-Lit [x1]

CLOUD ROUND & SQUARE - LIT & NON LIT

MOUNTING HARDWARE ASSEMBLY INSTRUCTIONS

Step 1: Assemble the sputnik hardware kit [Pg: 10]

Step 2: Screw the jointed grippers through holes in the felt top and into the poplar frame located inside. Once you have assembled the sputnik hardware, thread the ends of the aircraft cables into the grippers, as shown below.



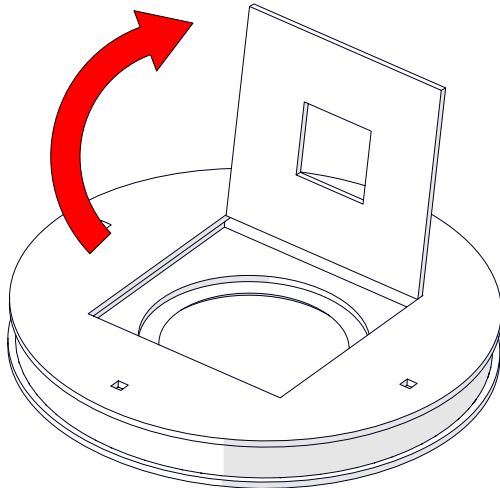
Press down firmly on the nipple to insert cable. Release nipple to lock cable in place.

CLOUD ROUND - LIT

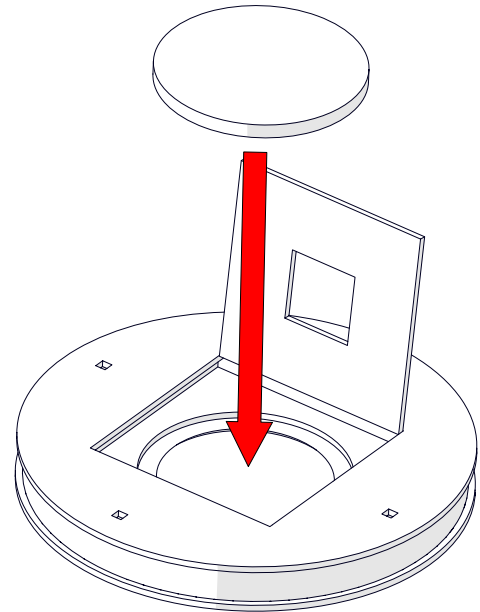
LIGHT INSTALLATION INSTRUCTIONS



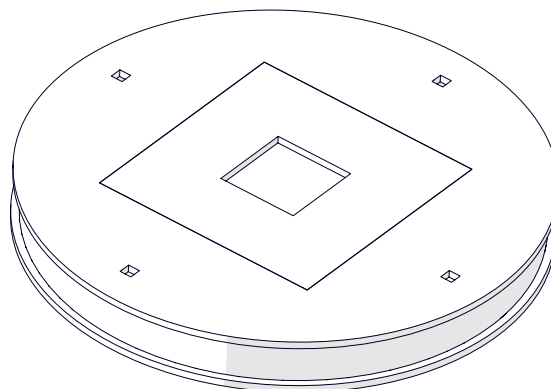
ALL ELECTRICAL WIRING SHOULD BE PERFORMED
BY A CERTIFIED ELECTRICIAN!



Step 1: Locate the hinged flap on the top-side of CLOUD and gently open it.



Step 2: Once your light is wired, place it inside the CLOUD. You will find a circular pocket that the light fits snugly inside.



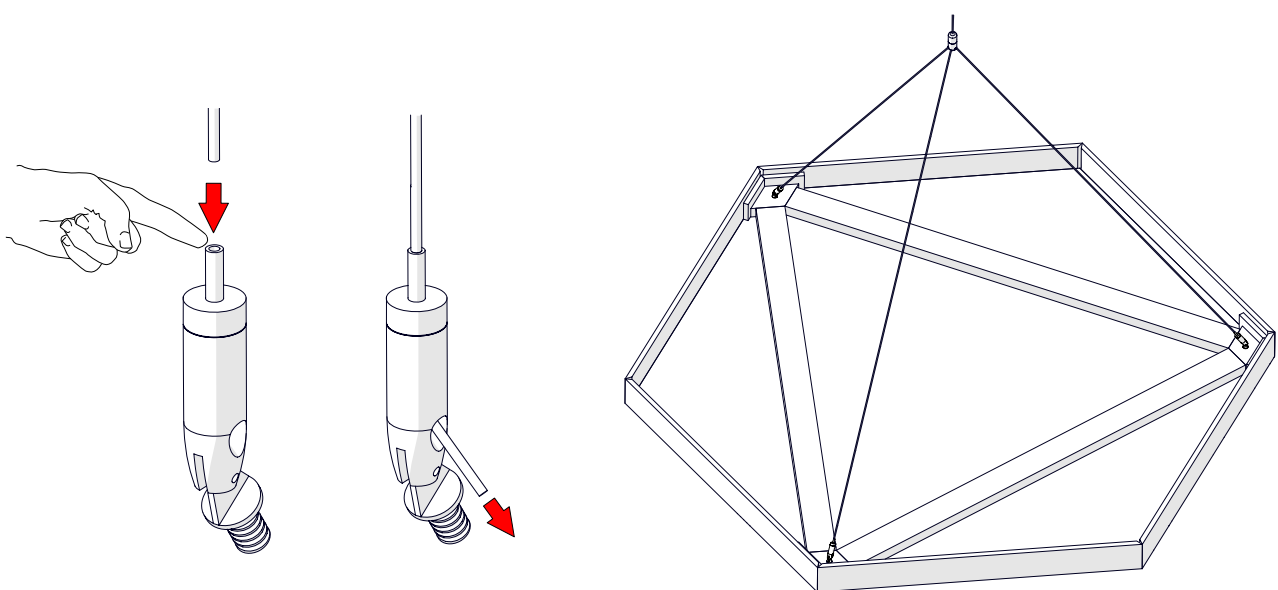
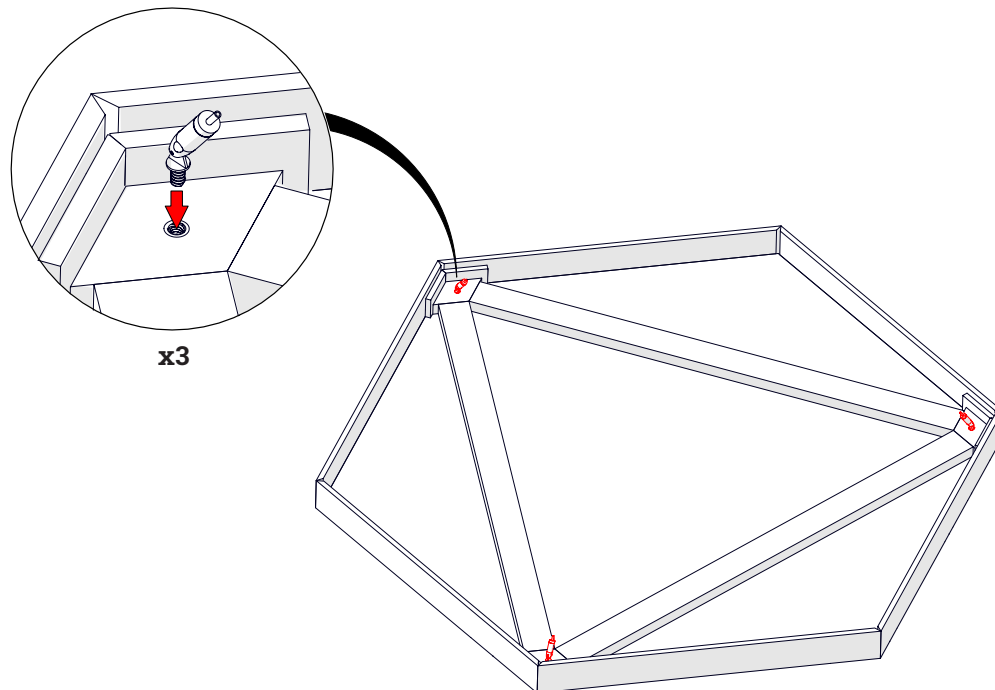
Step 3: Chase all wiring through the square opening and secure the flap to the closed position.

CLOUD HEX

ASSEMBLY INSTRUCTIONS

Step 1: Assemble the sputnik hardware kit [Pg: 10]

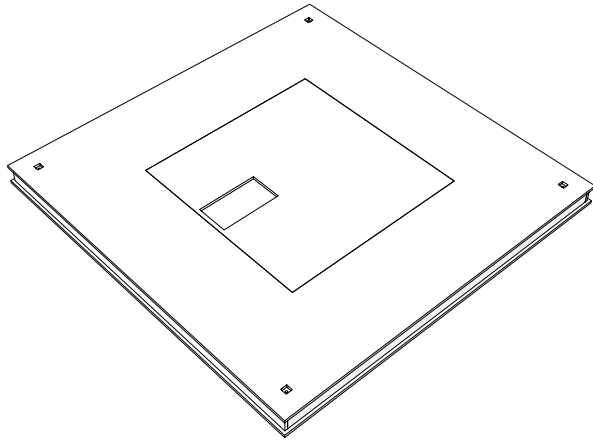
Step 2: Screw the jointed grippers into the poplar frame. Once you have assembled the sputnik hardware, thread the aircraft cable into the grippers, as shown below. Trim excess cable after you have hung and leveled CLOUD.



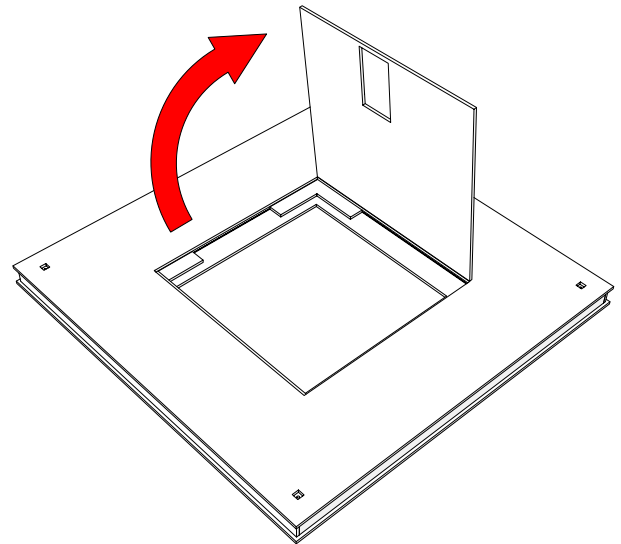
CLOUD SQUARE - LIT

LIGHT INSTALLATION INSTRUCTIONS

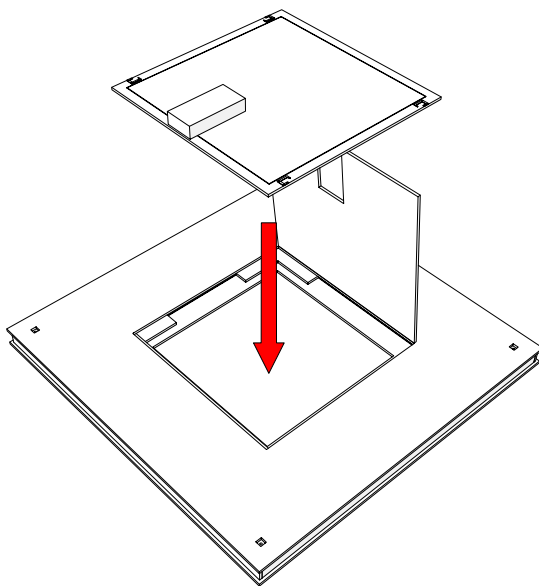
 ALL ELECTRICAL WIRING SHOULD BE PERFORMED BY A CERTIFIED ELECTRICIAN! 



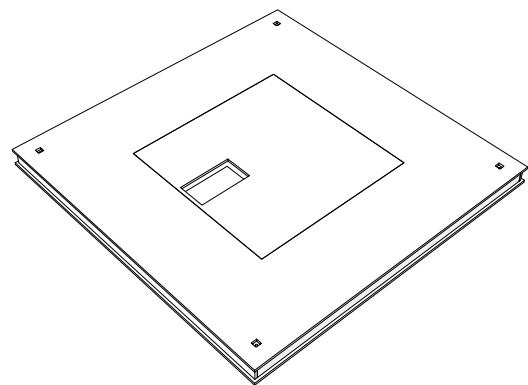
Step 1: Locate the hinged opening on the top of the CLOUD unit.



Step 2: Gently open the flap to reveal the light fixture nest.



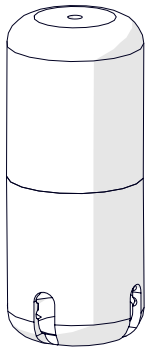
Step 3: After the fixture is properly wired, Place it inside CLOUD as shown.



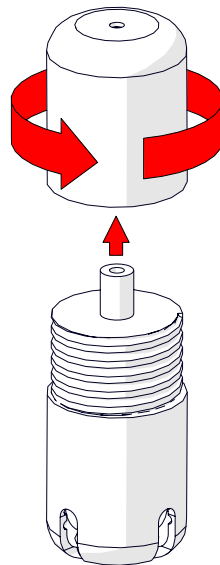
Step 4: Close the flap and secure.

HARDWARE KIT #04 & #18: [SPUTNIK SPLIT CABLE] PG 1/2

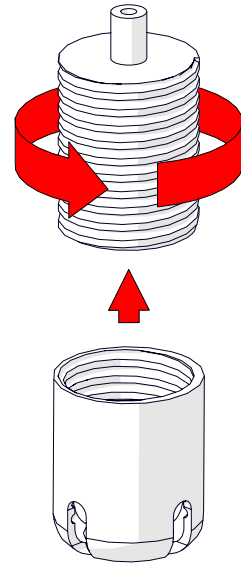
ASSEMBLY INSTRUCTIONS



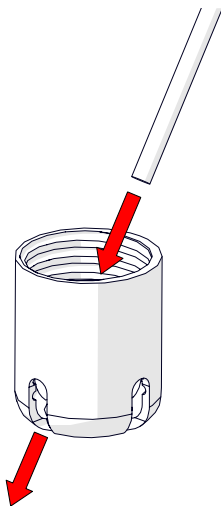
Step 1 Locate the Sputnik cable splitter assembly.



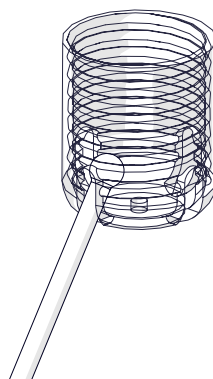
Step 2: Unscrew the top cap and set aside.



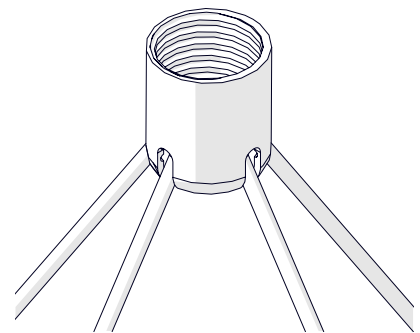
Step 3: Unscrew the center grip and set aside.



Step 4: Insert a ball end cable through the center of the Sputnik base, and out of the cable opening.



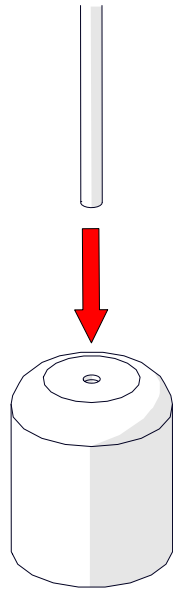
Step 5: Ensure the ball end of the cable is seated within the Sputnik, and the cable is secure.



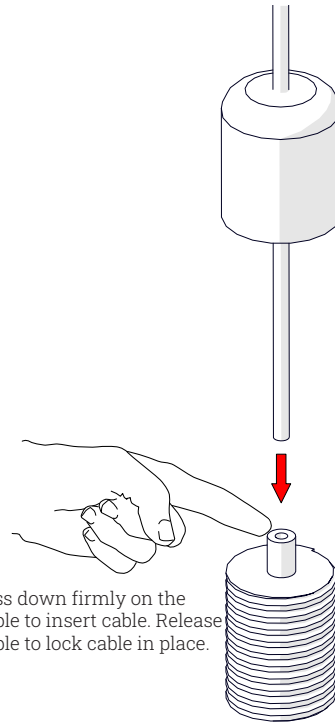
Step 6: Repeat previous steps for all 4 ball end cables.

HARDWARE KIT #04 & #18: [SPUTNIK SPLIT CABLE] PG 2/2

ASSEMBLY INSTRUCTIONS

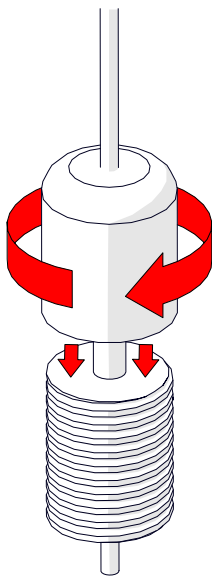


Step 7: Thread aircraft cable [non-ball end] through the top of the sputnik cap.

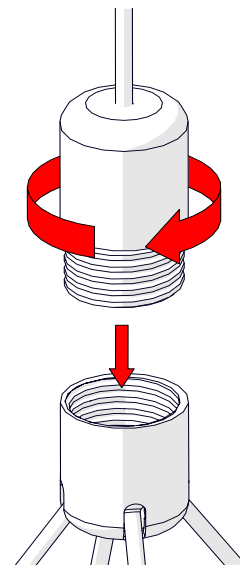


Press down firmly on the nipple to insert cable. Release nipple to lock cable in place.

Step 8: Insert the cable into the cable locking insert.



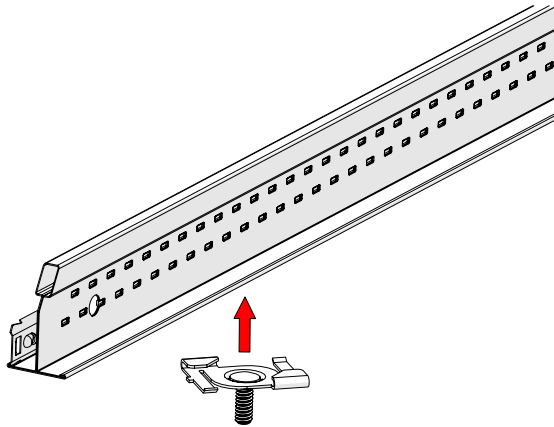
Step 9: Screw the sputnik cap back on to the cable lock insert.



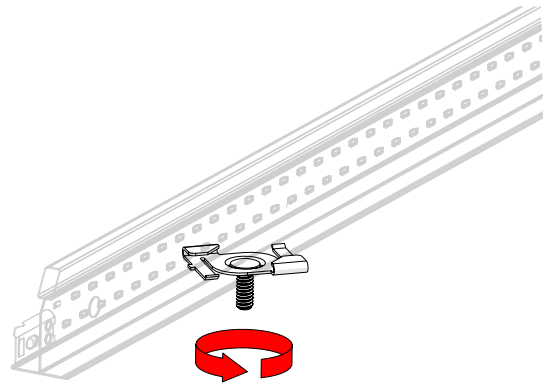
Step 10: Thread the cable lock insert and the cap back into the base.

HARDWARE KIT #40: [T-GRID]

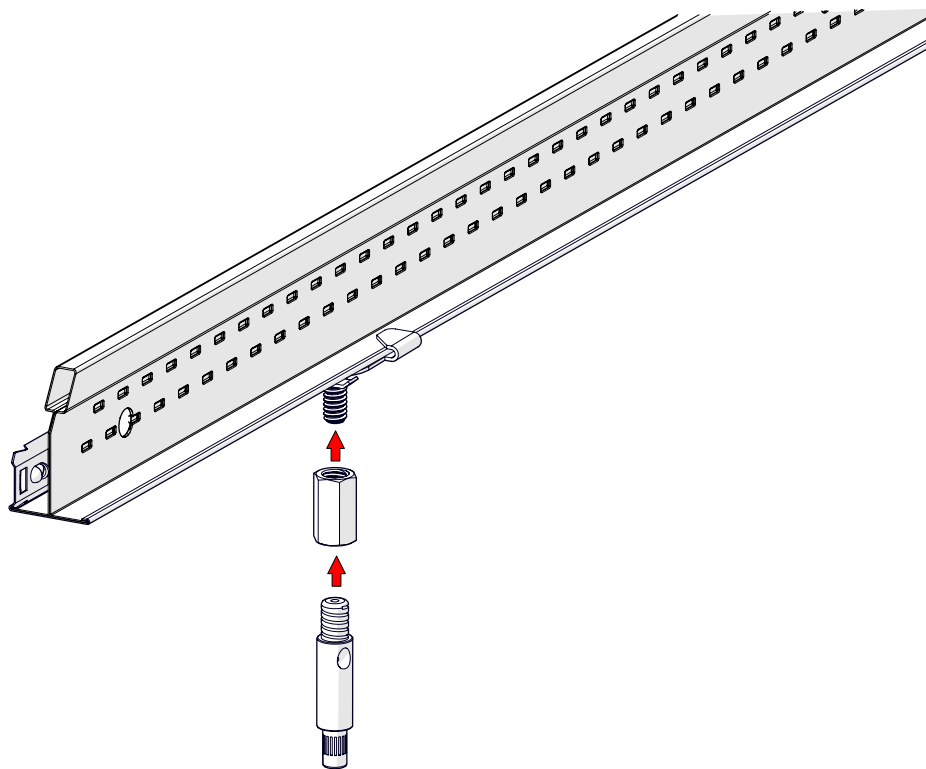
ASSEMBLY INSTRUCTIONS



A - Align the T-bar clip at a diagonal angle with your existing T-grid.



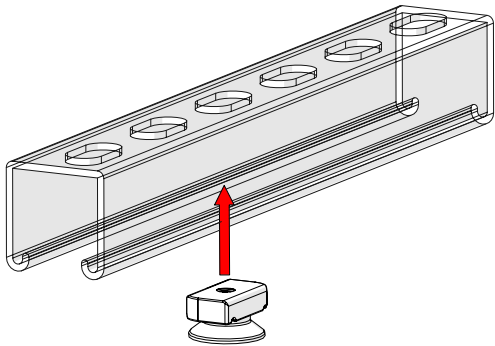
B - Press the clip against the base of the T-grid and turn clockwise to lock in place.



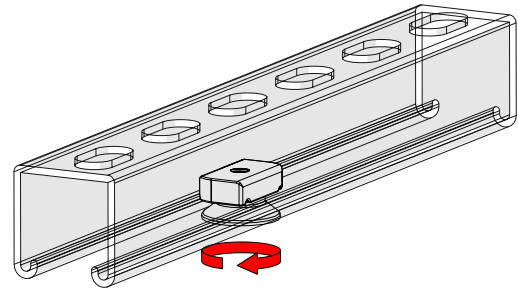
C - Use the 1/4\"-20 coupling to attach the gripper to the T-bar clip.

HARDWARE KIT #37: [UNISTRUT]

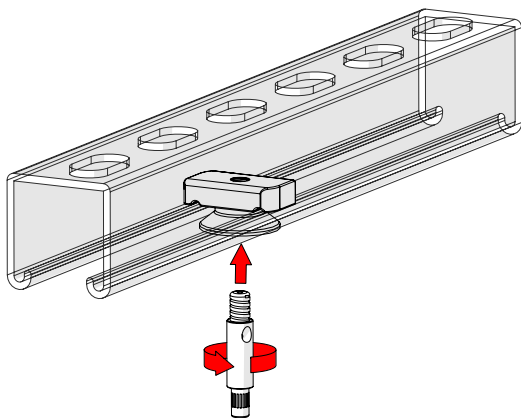
ASSEMBLY INSTRUCTIONS



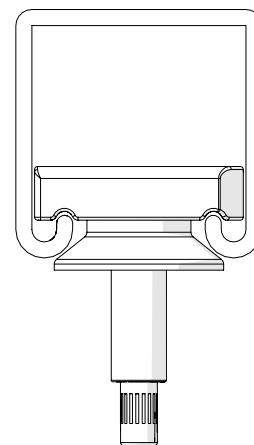
A - Insert the nylon cone nut into the unistrut lengthwise as shown above.



B - Once inserted, rotate counterclockwise to lock firmly in place.



C - Screw in the grip lock.



D - Ensure the nylon nut is firmly seated.