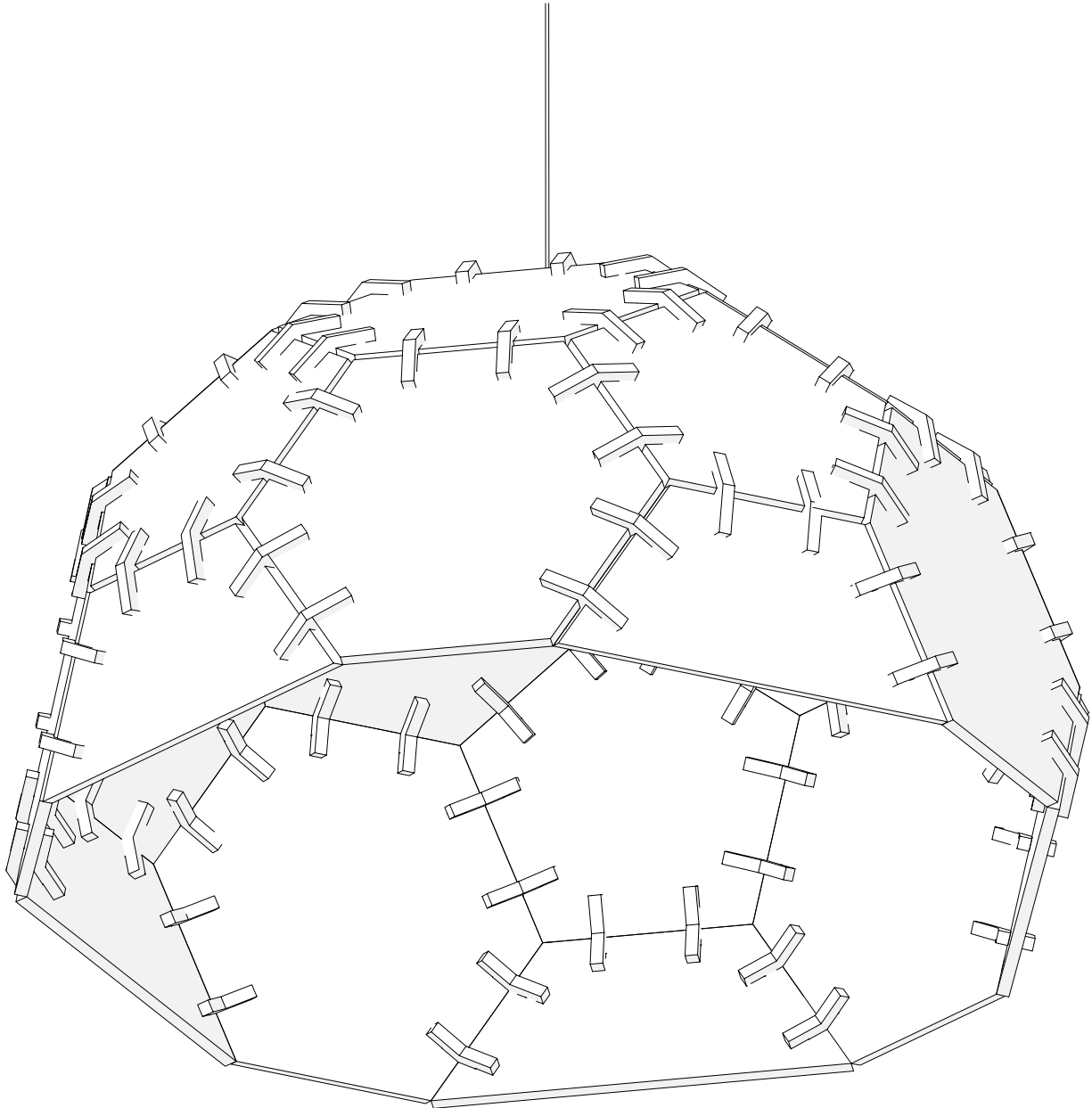


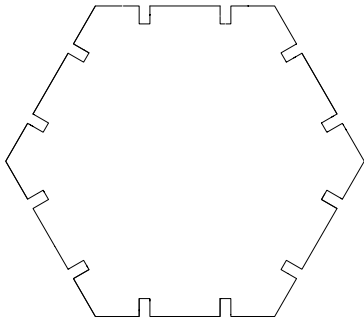
# HARMONY

## INSTALLATION INSTRUCTIONS

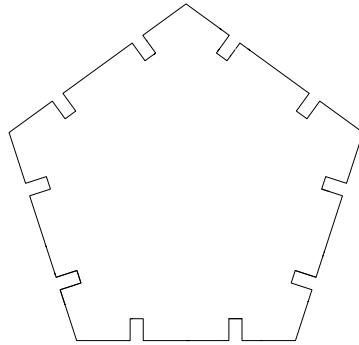


## HARMONY

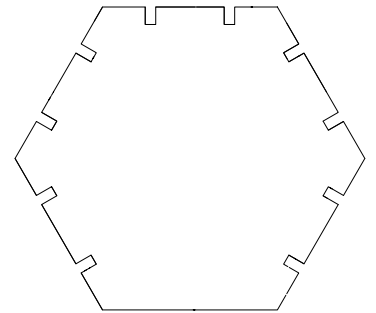
### INCLUDED COMPONENTS



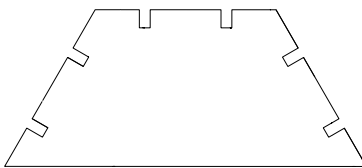
**A** x5



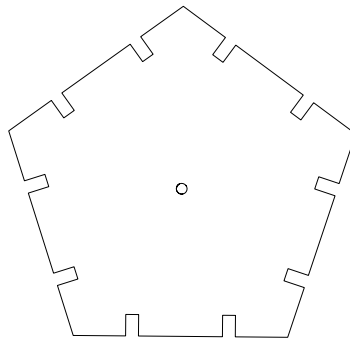
**B** x5



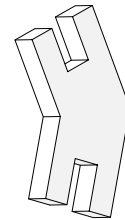
**C** x5



**D** x5

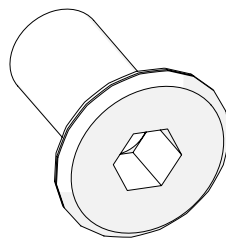


**TOP** x1



Connector  
**X100**

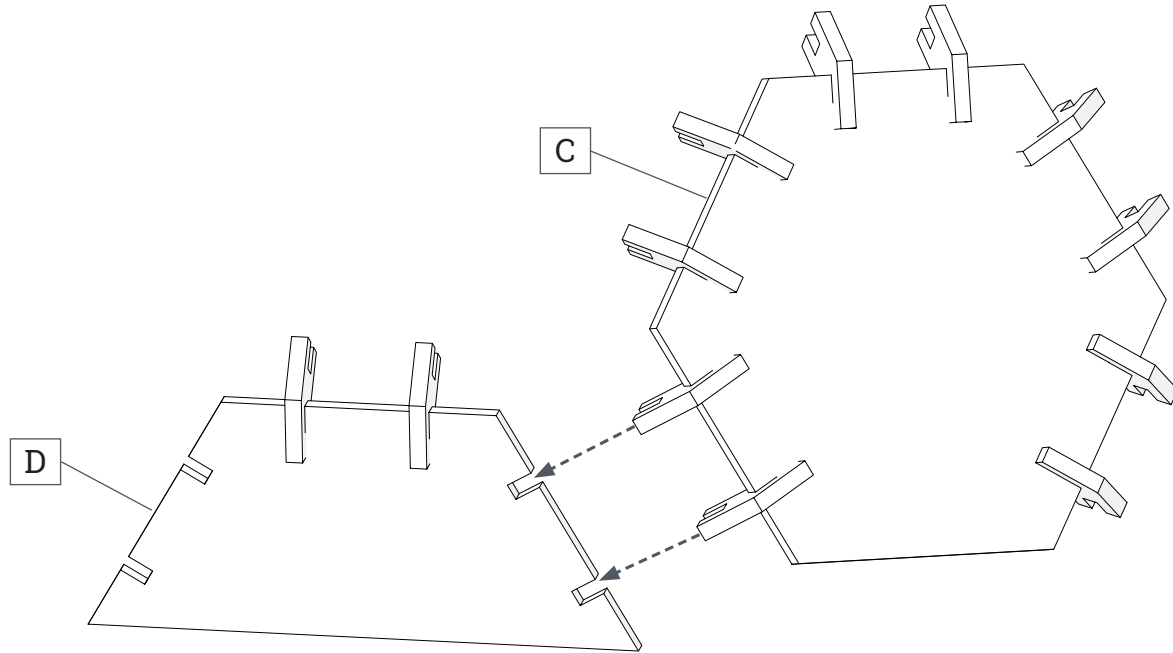
### INCLUDED HARDWARE



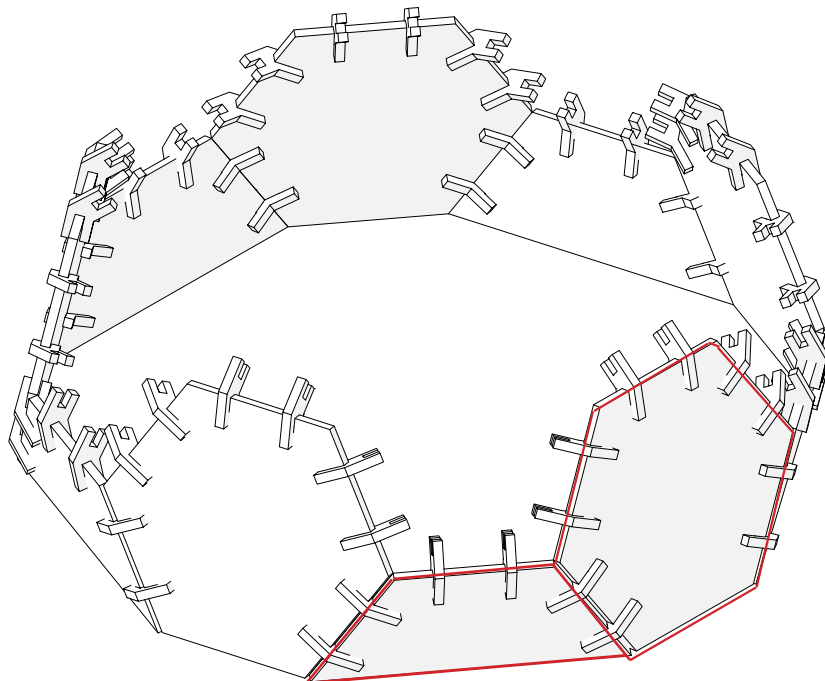
T-Nut **x1**

## HARMONY: INSTALLATION INSTRUCTIONS

**1** Assemble C & D panels as shown. Complete this step 5 times.

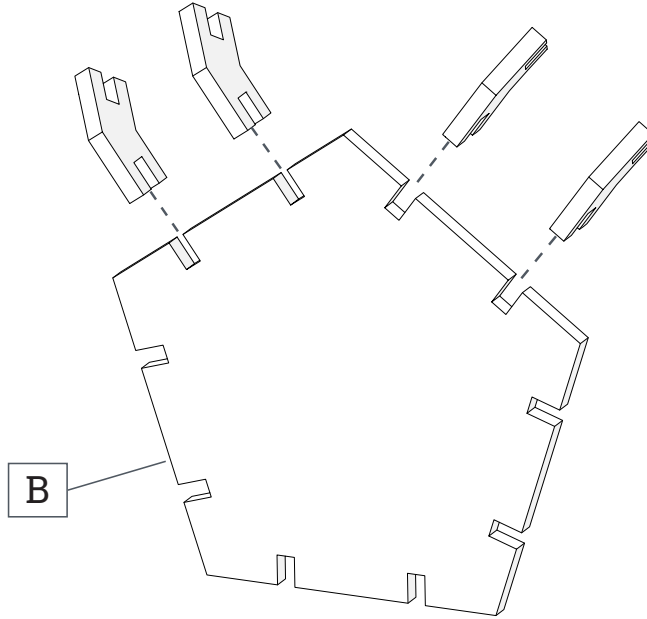


**2** Connect the C+D assemblies to form a circular base.

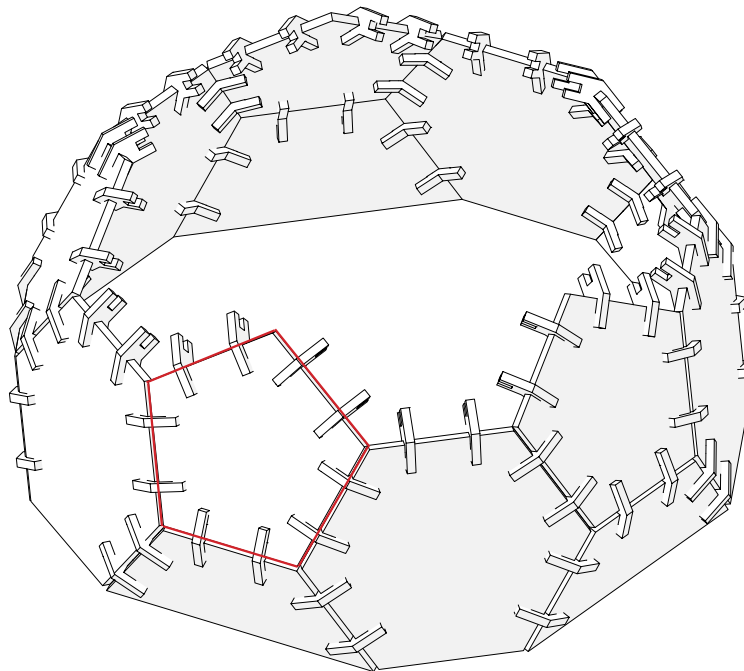


## HARMONY: INSTALLATION INSTRUCTIONS

**3** Attach x4 connectors to panel B as shown. Complete this step 5 times.

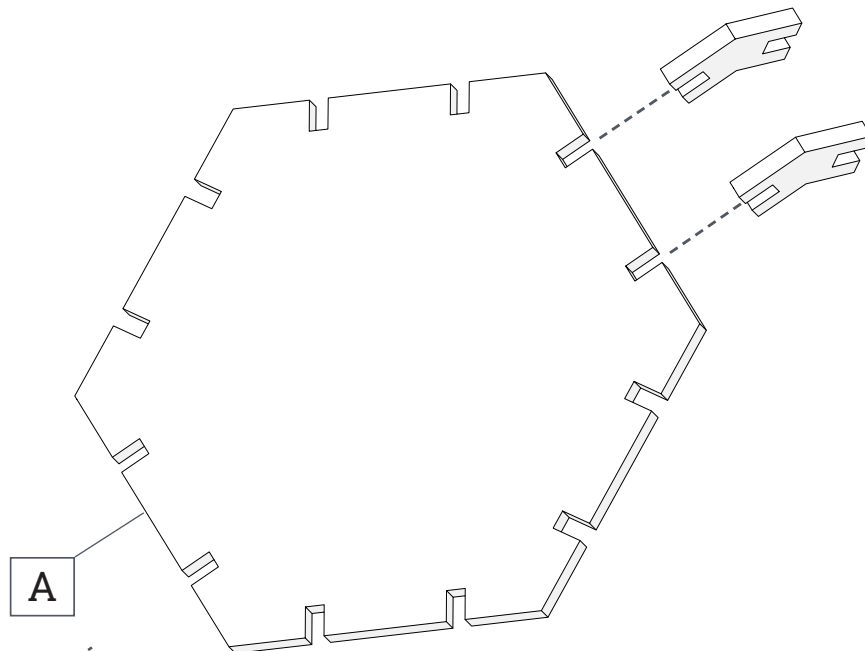


**4** Attach the 5 panels to the structure as shown.

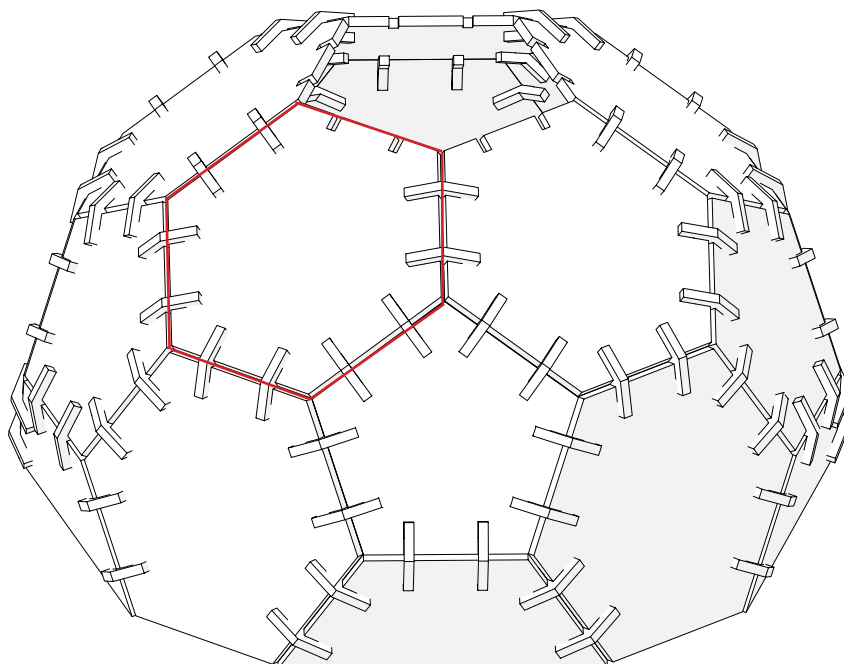


## HARMONY: INSTALLATION INSTRUCTIONS

**5** Attach x2 connectors to panel A as shown. Complete this step 5 times.

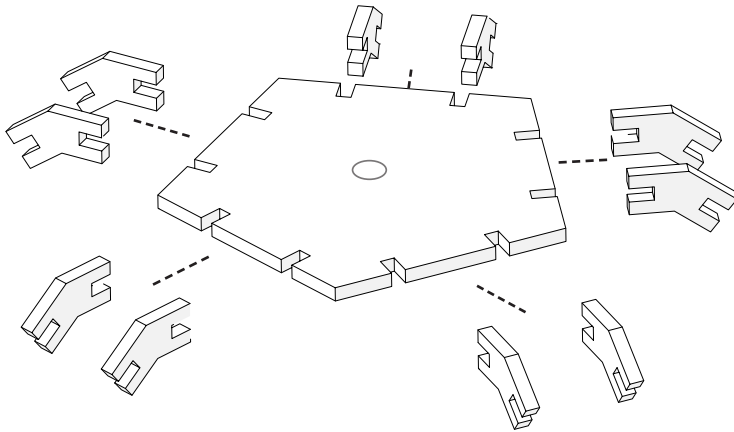


**6** Attach the 5 panels to the structure as shown.

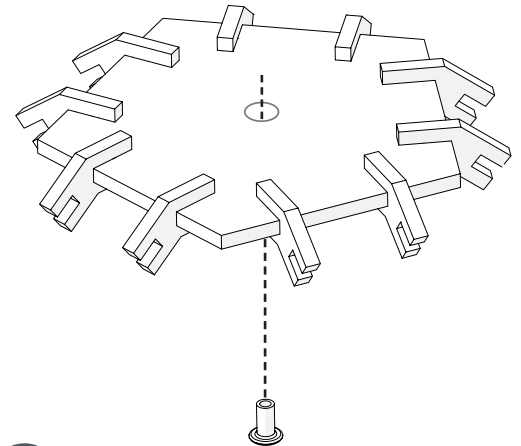


## HARMONY: INSTALLATION INSTRUCTIONS

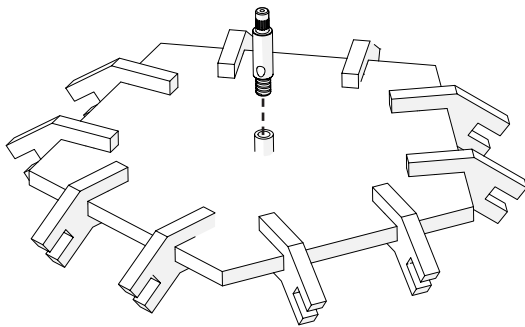
**7** Assemble the top cap and suspension hardware as shown:



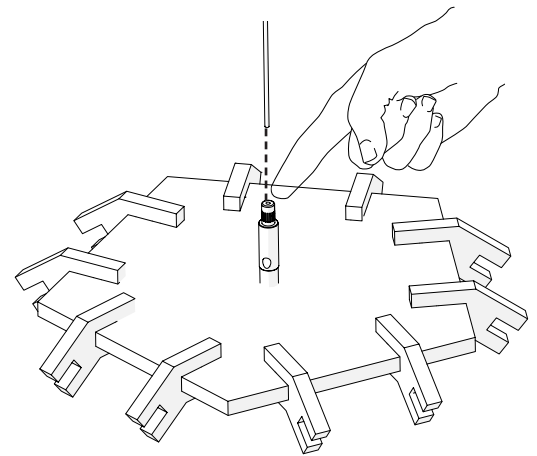
**A** Attach connectors.



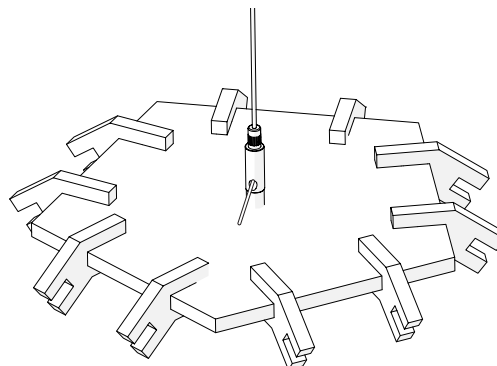
**B** Insert T-nut through center hole.



**C** Thread the Grip lock to the T-nut.



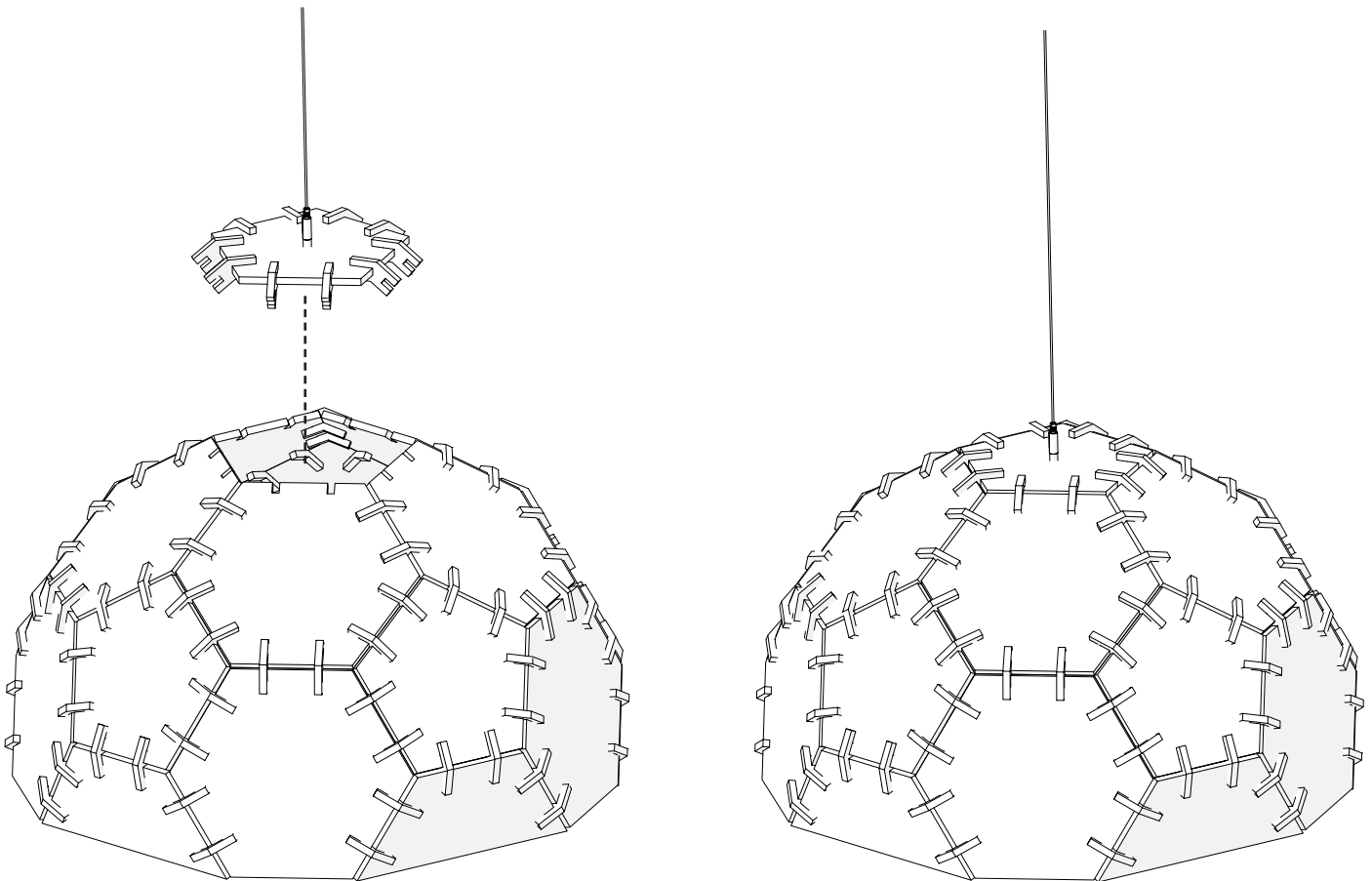
**D** Press down on the plunger while inserting the cable.



**E** Thread the cable through the side opening and release the plunger to lock the cable in place.

## HARMONY: INSTALLATION INSTRUCTIONS

**8** Attach the top cap assembly and hang HARMONY according to your preferred methods.



**Installation complete.**