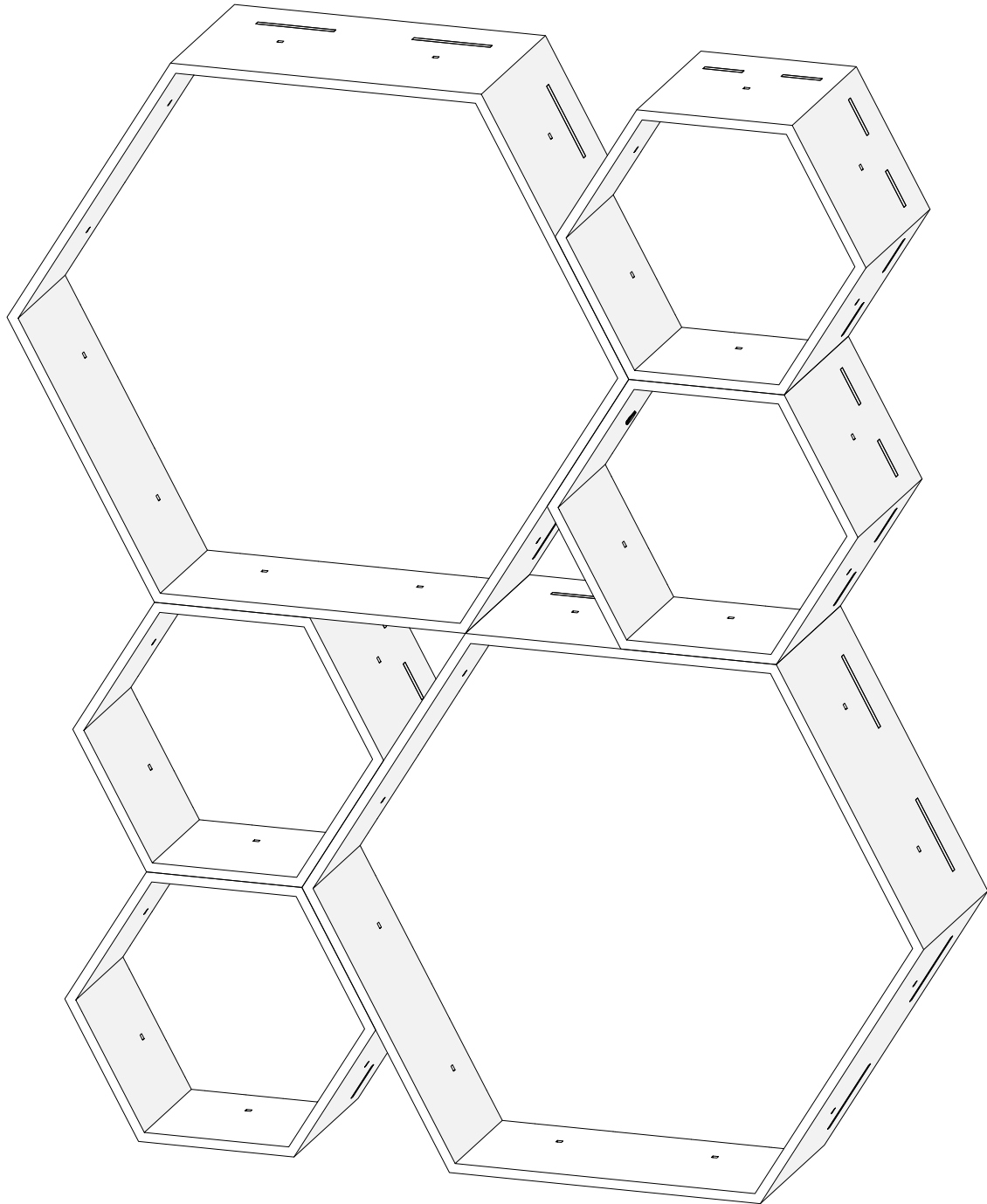


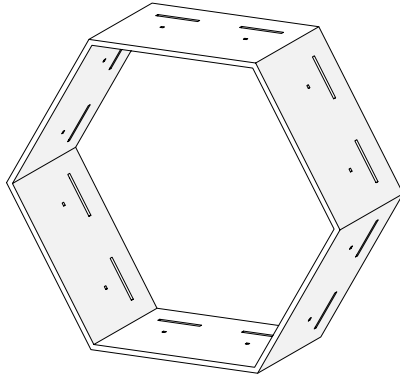
# HIVE

## INSTALLATION INSTRUCTIONS

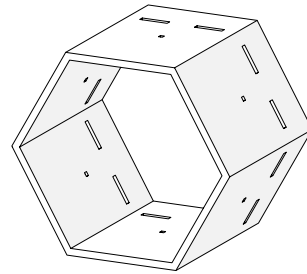


## HIVE: INCLUDED COMPONENTS

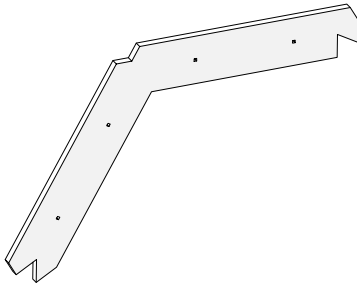
*Quantities dependent on order specifications*



Large HIVE

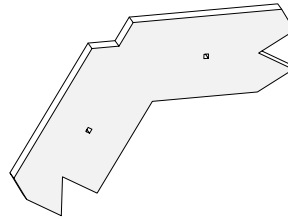


Small HIVE



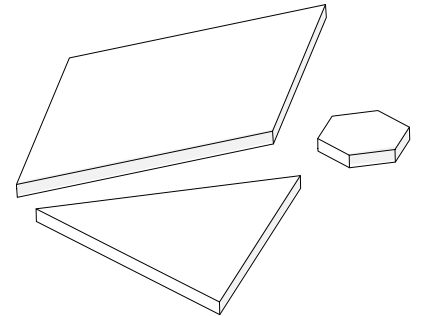
Large Mounting Strip

x3 Per Large HIVE



Small Mounting Strip

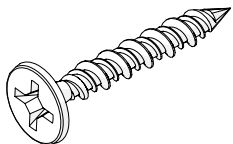
x3 Per Small HIVE



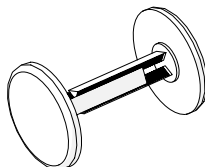
Template Set

### REQUIRED HARDWARE

*Quantities dependent on order specifications*

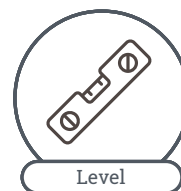


Mounting Screw



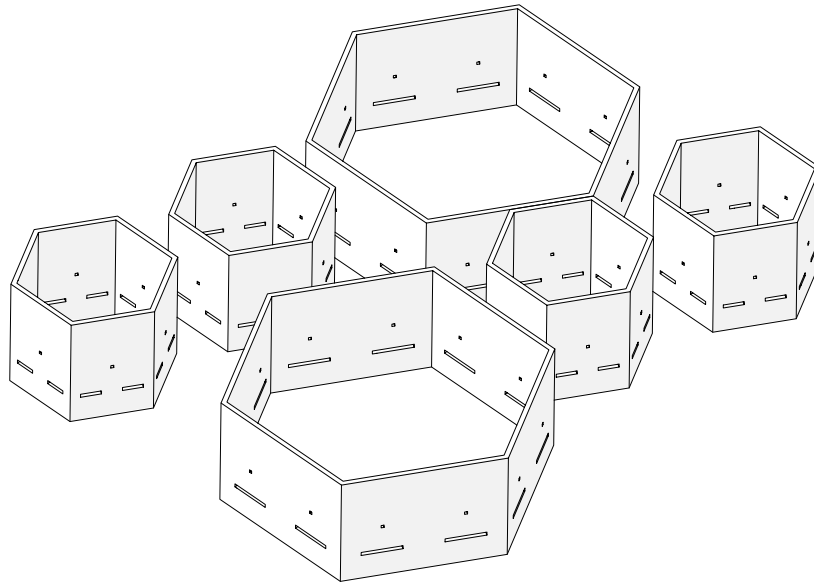
Ratchet Rivet

### REQUIRED TOOLS

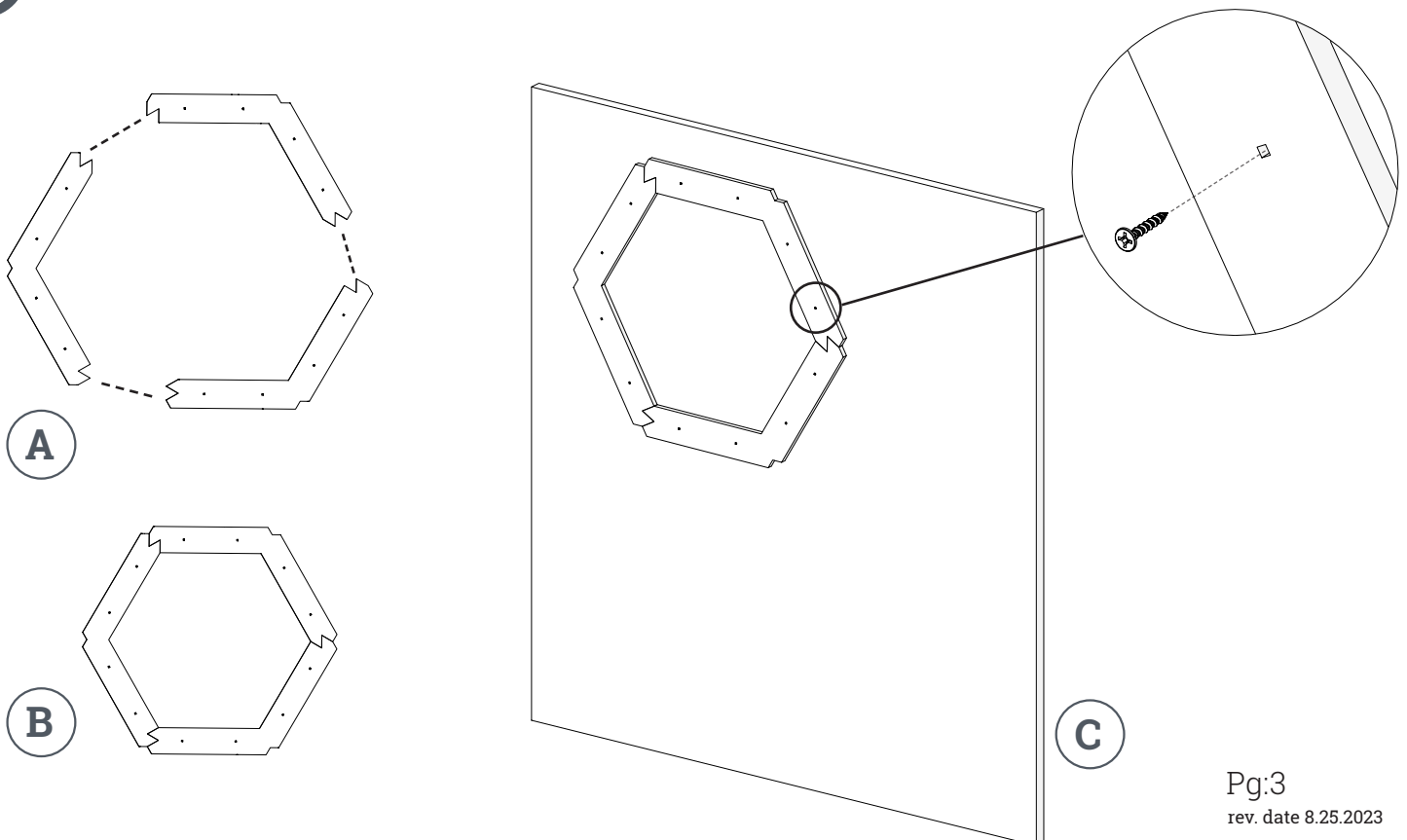


## HIVE: INSTALLATION INSTRUCTIONS

- 1 Layout the HIVEs on the floor to determine the general dimensions of the layout you desire. Mark the installation surface accordingly.



- 2 Join 3 mounting strips together and mount them to the wall as shown.



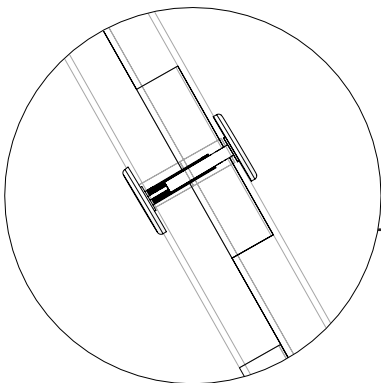
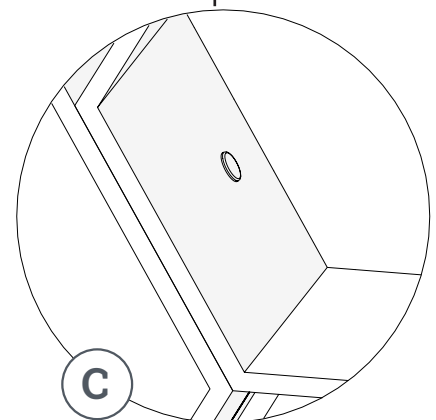
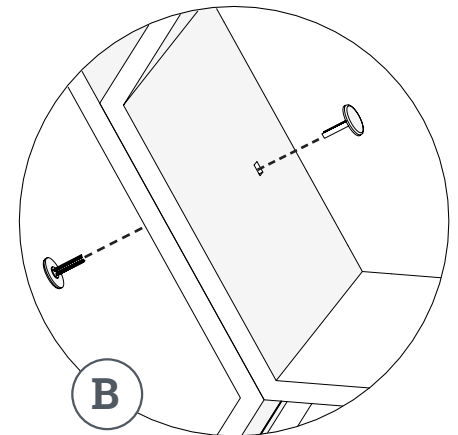
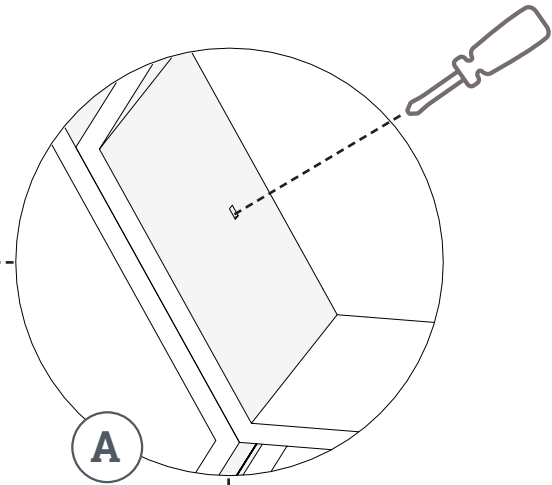
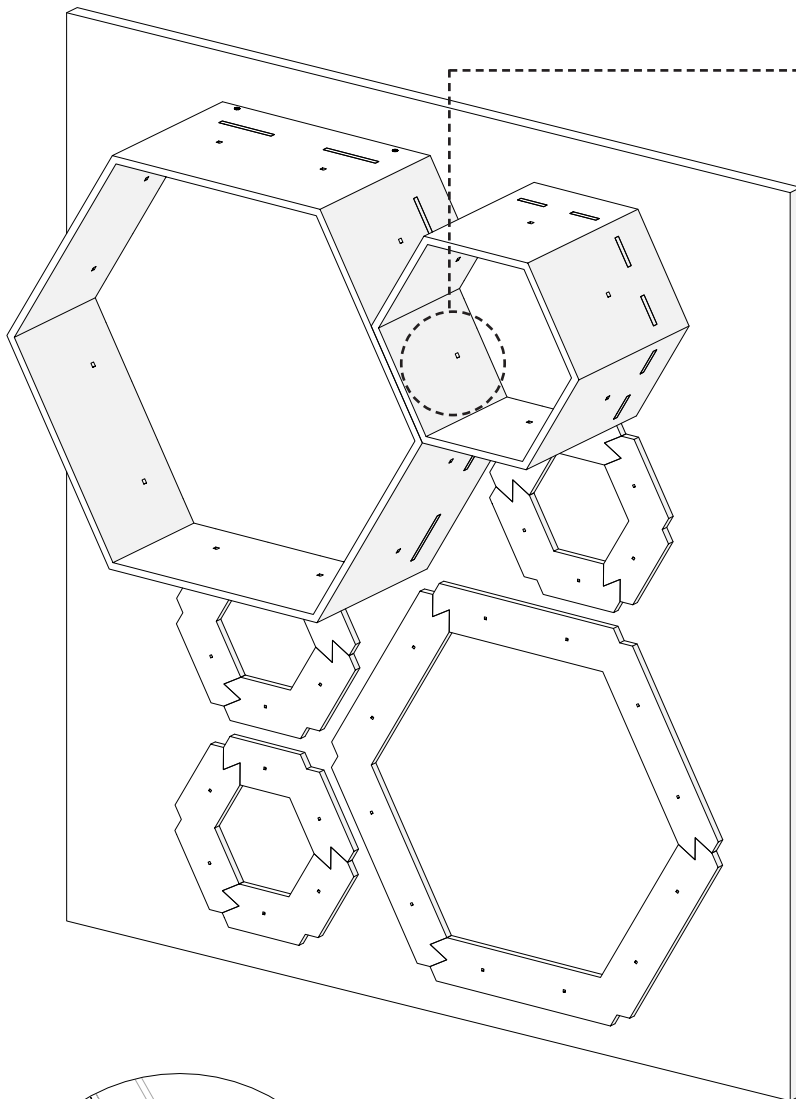






## HIVE: INSTALLATION INSTRUCTIONS

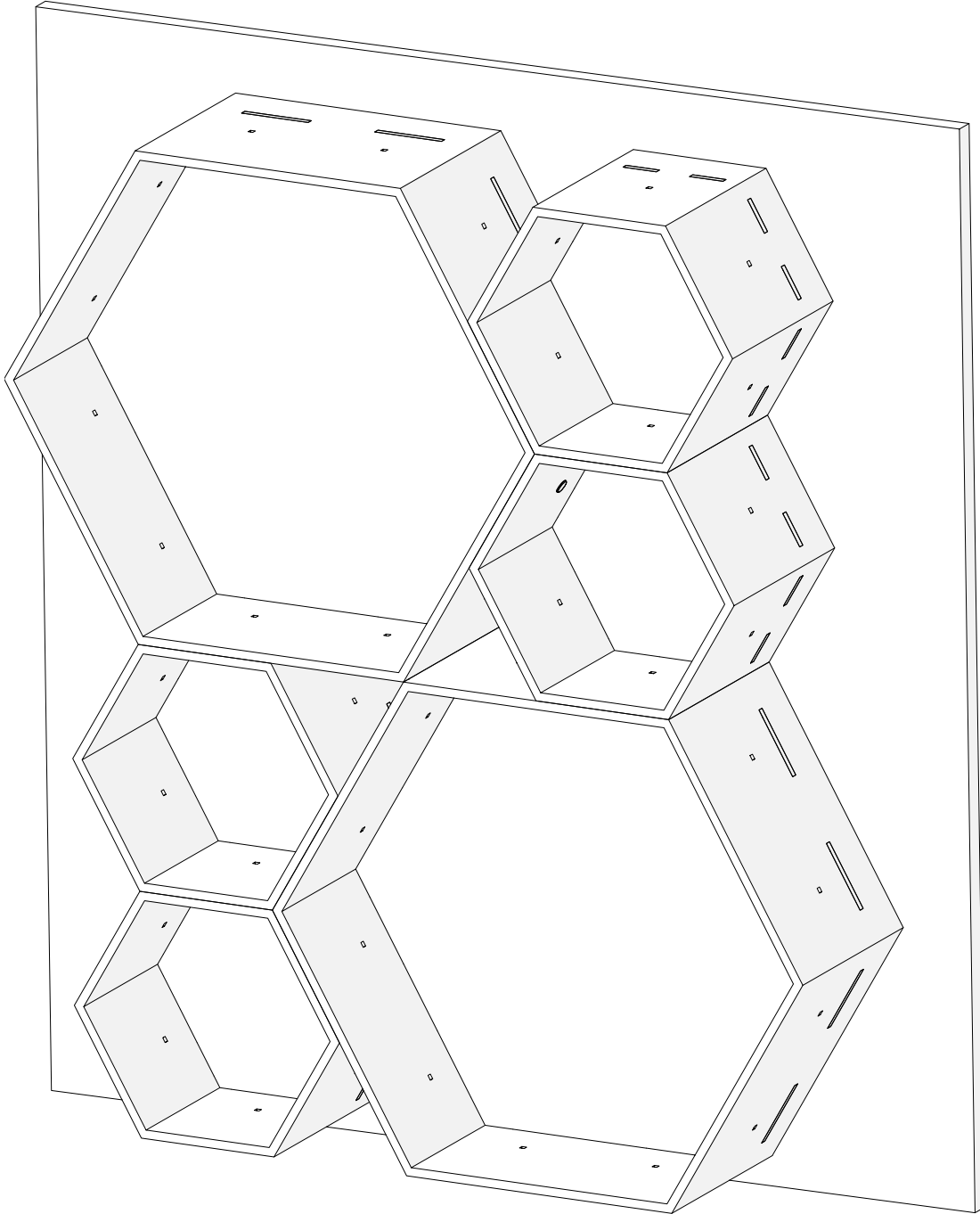
- 7** Align the second HIVE to the previously installed HIVE. Use a screw driver to open up the connection holes in the joining faces [A]. Connect a ratchet rivet through the holes [B] and snap them together firmly [C].



Ensure the ratchet rivet is fully engaged and secure.

## HIVE: INSTALLATION INSTRUCTIONS

**8** Repeat steps 6 & 7 to complete the HIVE layout.



**INSTALLATION COMPLETE.**