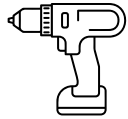


HIVE Installation

Acoustical Wall Tiles

These installation suggestions consist of a common process for wall HIVE installation. Installers should rely upon their own professional experience and understanding of their unique requirements to ensure a successful install.

Tools Needed



Drill

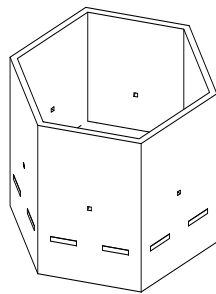


Level

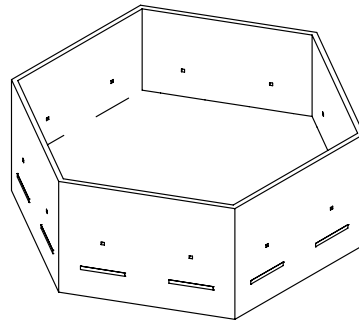


Screwdriver

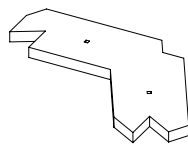
Items Included



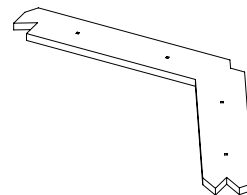
HIVE Small



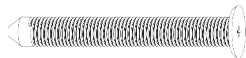
HIVE Large



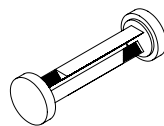
HIVE Small Mounting Strips



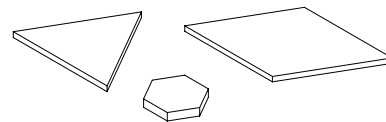
HIVE Large Mounting Strips



Screws



Ratchet Rivets

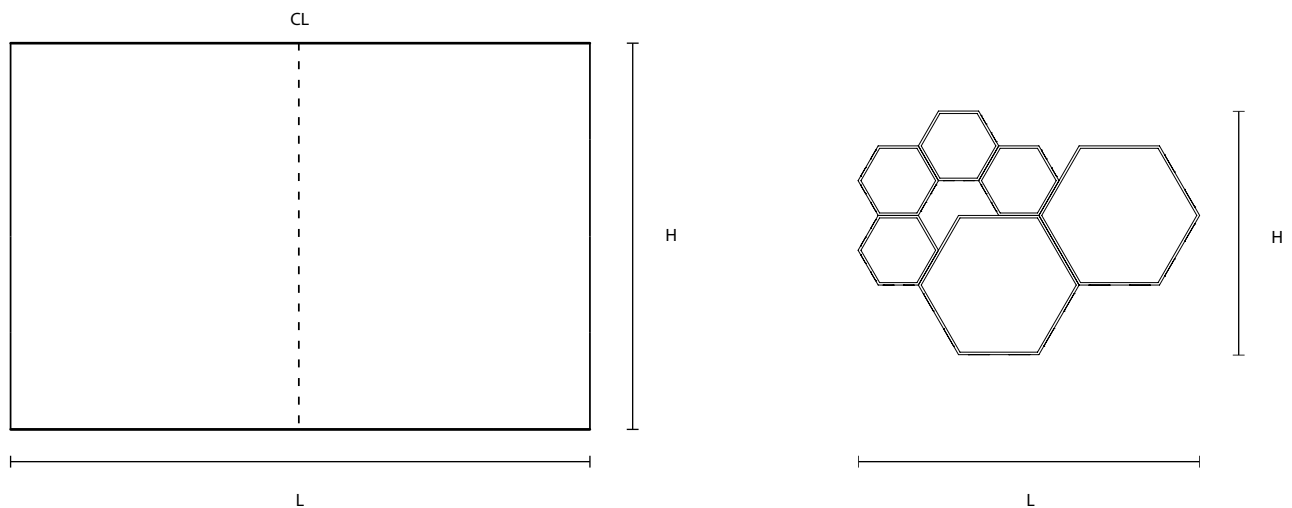


HIVE Template Spacers

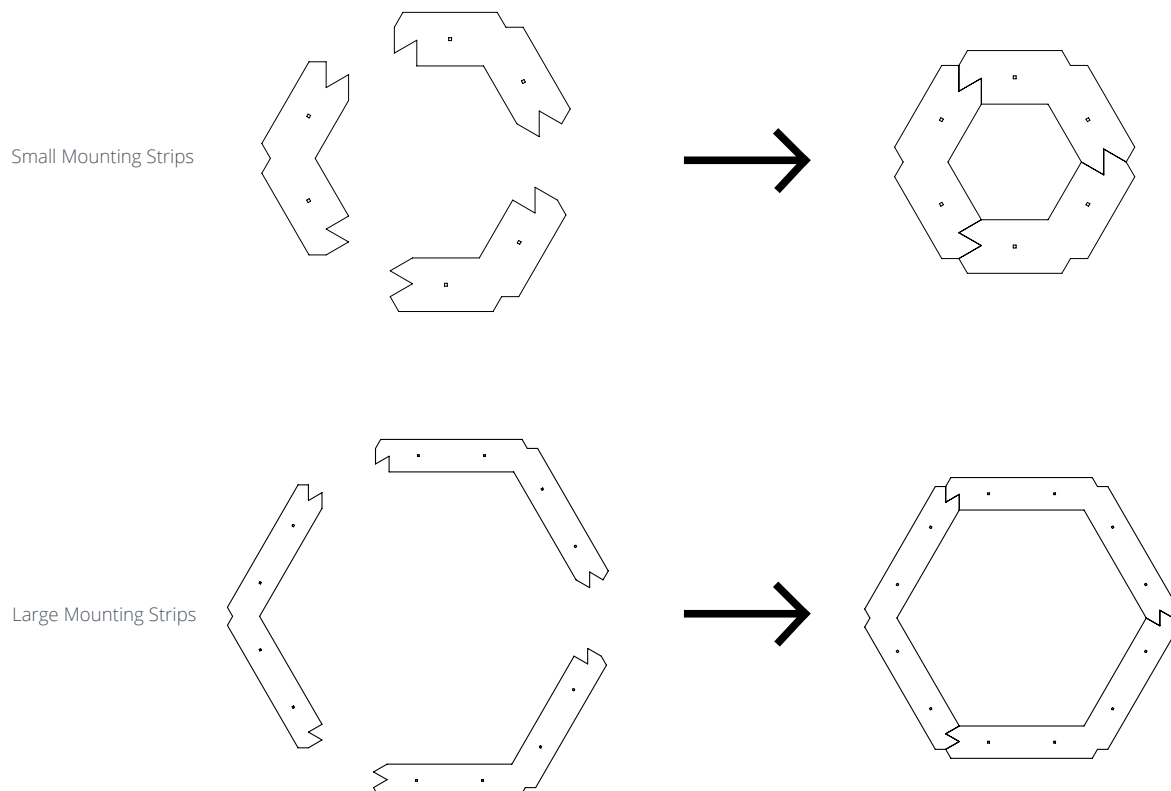
HIVE Installation

Acoustical Wall Tiles

1. Measure the length and height of the wall. Also layout desired HIVE arrangement on floor first, and measure total length and height in comparison to measurements of the wall.



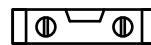
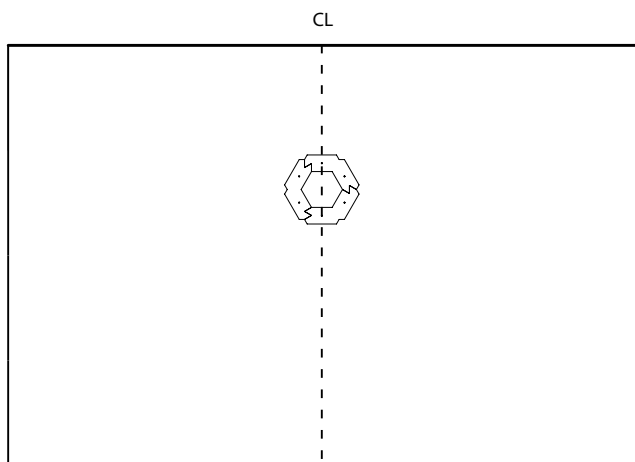
2. Take the Small Mounting Strips and assemble together for the Small HIVES, and assemble the Large Mounting Strips for the Large HIVES. Strips will slot together with snug fit.



HIVE Installation

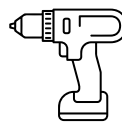
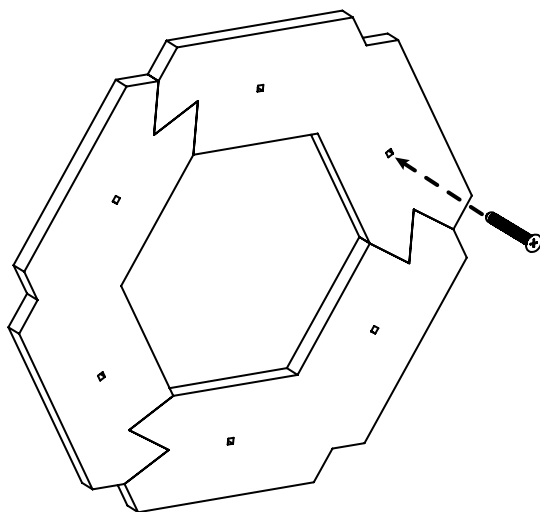
Acoustical Wall Tiles

3. Take assembled Mounting Strips and position on wall. Use level tool to ensure position is level.



Level tool

4. Use drill to install screws through pre-inserted holes in each of the Mounting Strips. Use level tool to help maintain position on wall.

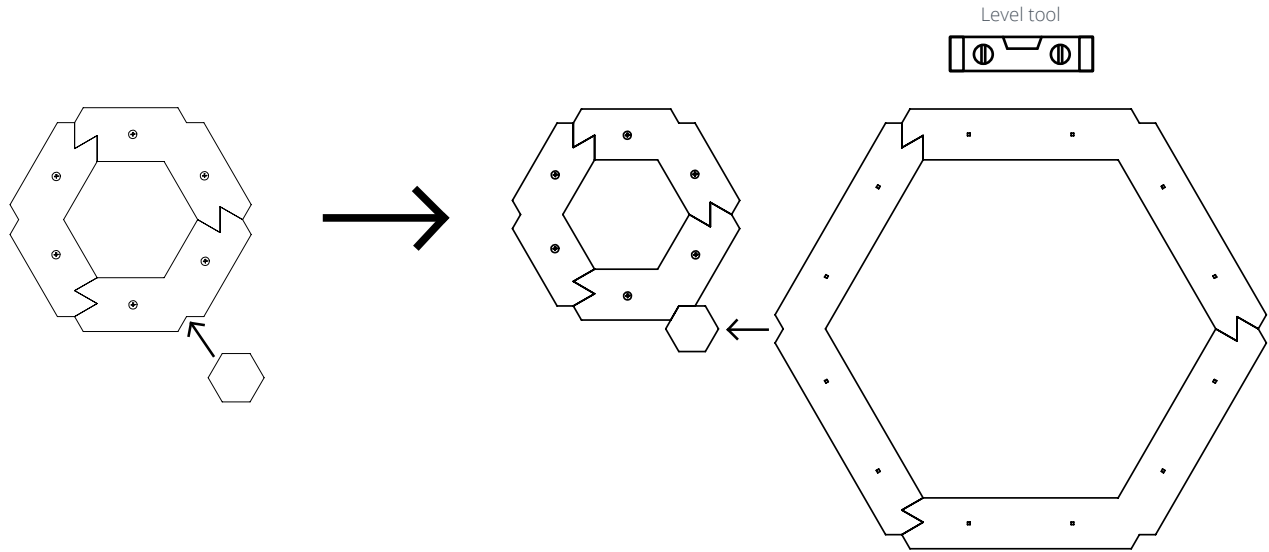


Drill

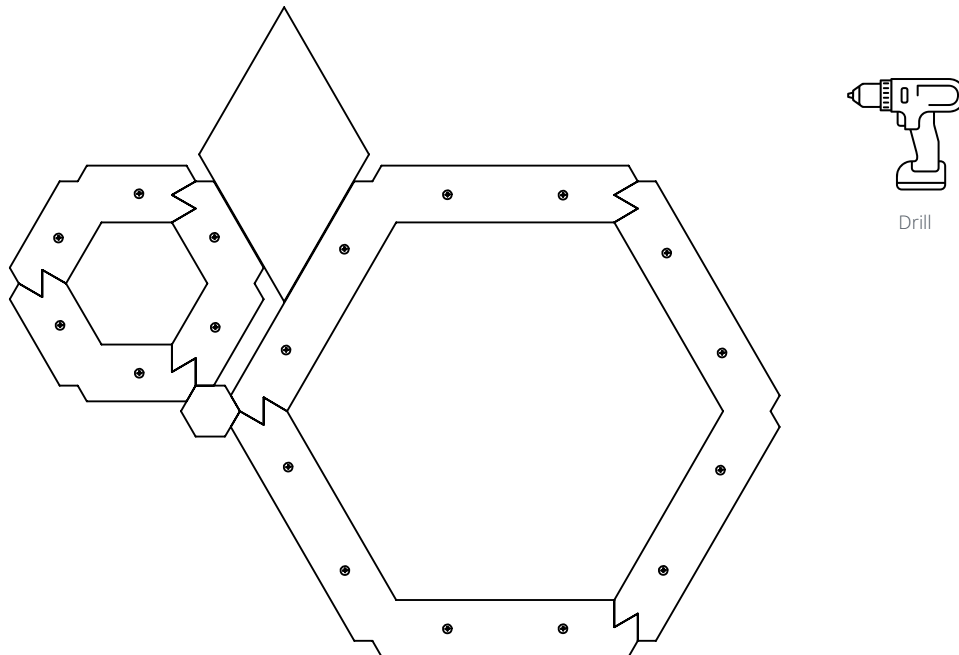
HIVE Installation

Acoustical Wall Tiles

5. Use provided HIVE Template Spacers to create a space to place the next Mounting Strips. Use level tool to ensure position is level.



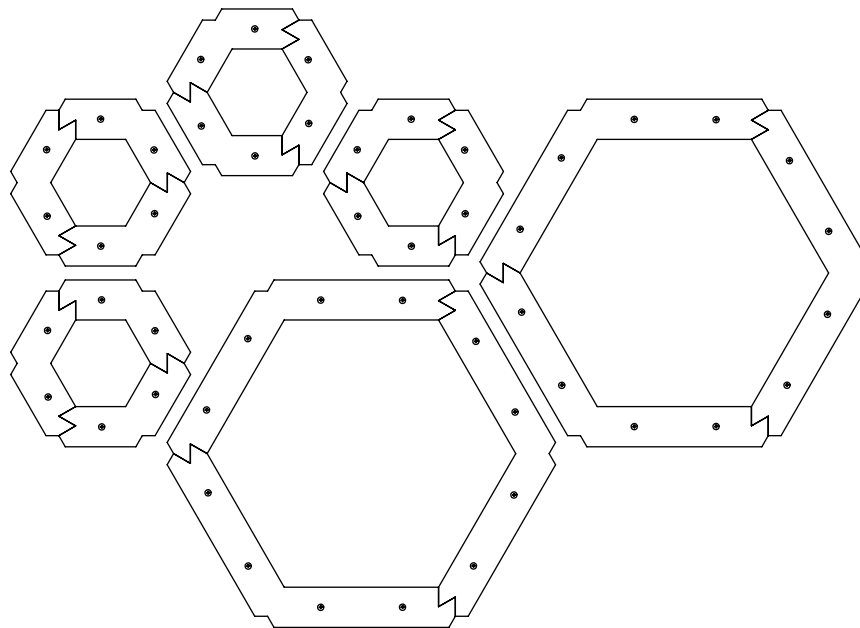
6. Once the next set of strips are in position, use the drill to install screws through pre-inserted holes in each of the Mounting Strips. Use level tool to help maintain position on wall. Check the angle and position between strips with provided Template Spacers.



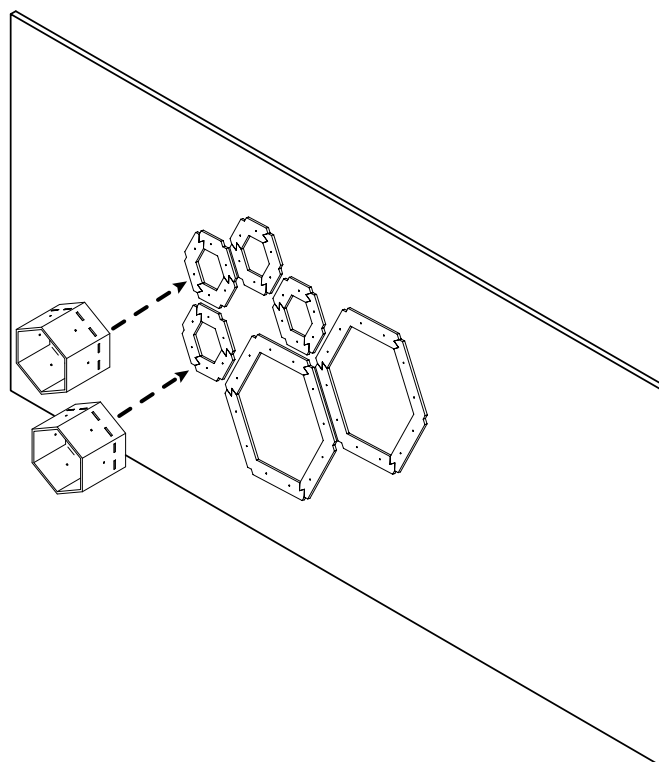
HIVE Installation

Acoustical Wall Tiles

7. Repeat the process until all Mounting Strips are secured in desired positions on the wall. Remove the Template Spacers when complete.



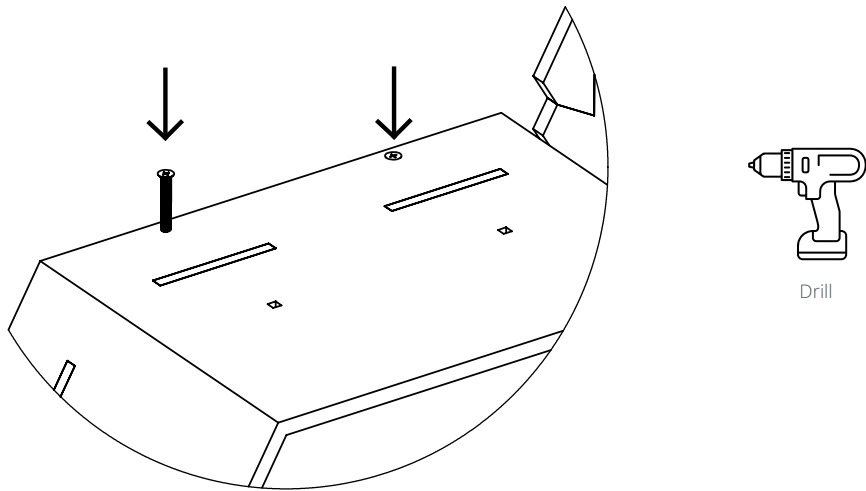
8. Dry fit the HIVES on Mounting Strips to test each location properly.



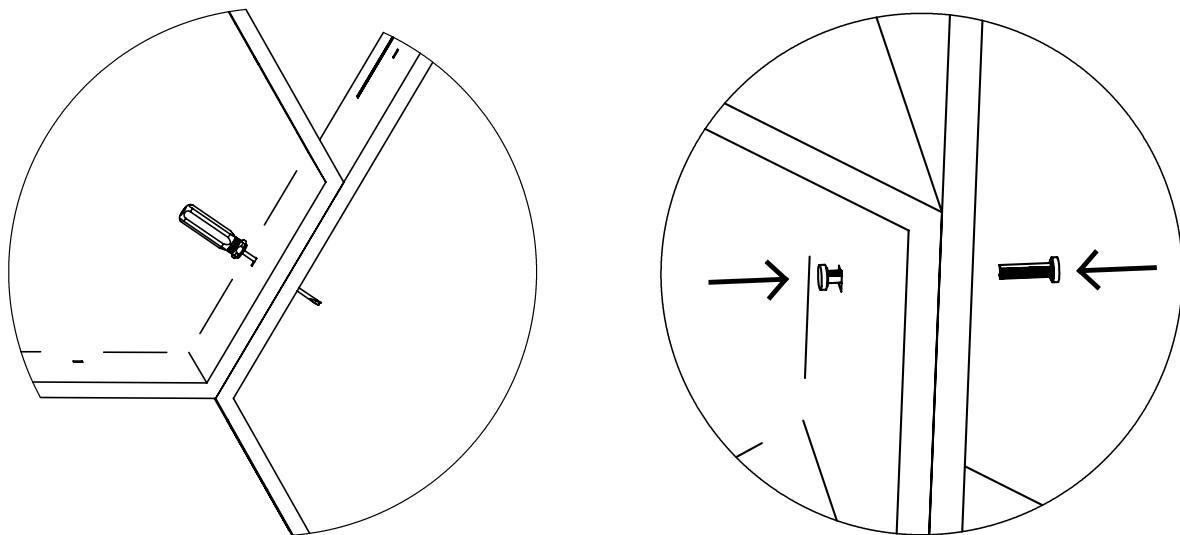
HIVE Installation

Acoustical Wall Tiles

9. Install 2 screws on each side of the HIVE to properly secure to the Mounting Strips on the wall. Repeat process until all HIVES are screwed to the wall.



10. All HIVES are manufactured with pre-drilled holes on the sides to connect other HIVES to each other. Use the screwdriver to pop-out the material from those holes, then install the Ratchet Rivets in the hole to connect and secure the HIVES together.



HIVE Installation

Acoustical Wall Tiles

11. Repeat the process until all HIVES are connected and secured together. Finish the installation.

