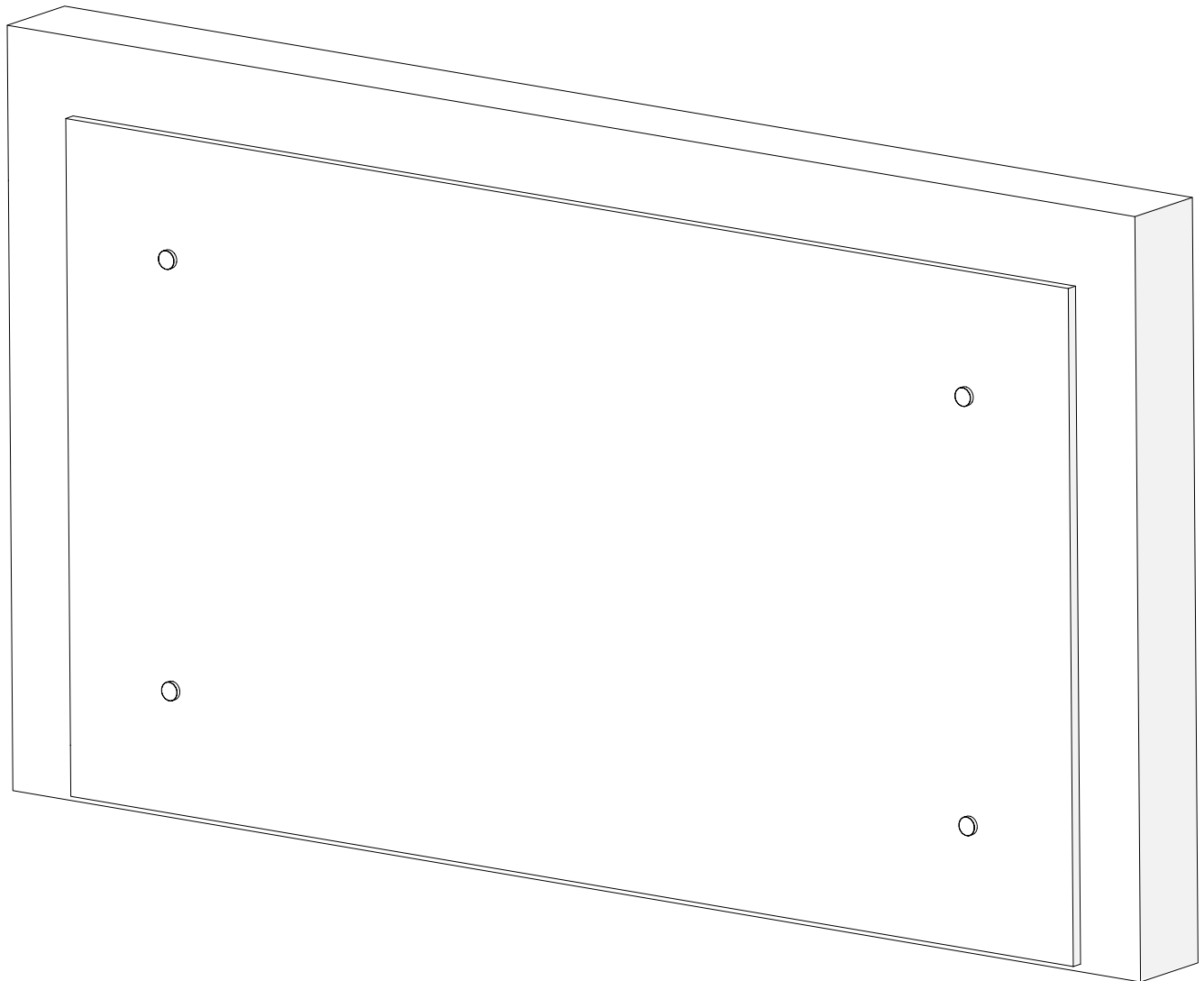


PANL

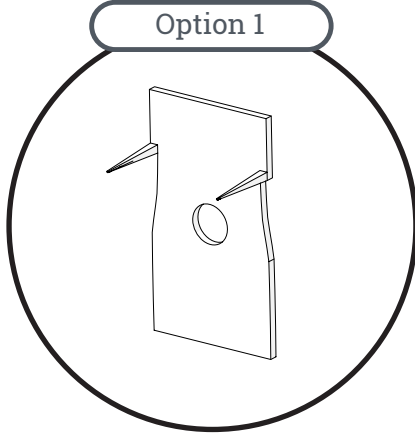
INSTALLATION INSTRUCTIONS

For solid, perforated and printed PANLs



PANL: MOUNTING OPTIONS

Option 1



IMPALER CLIP

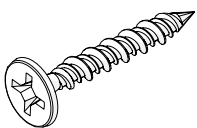
REQUIRED TOOLS



NOTE:

A small amount of adhesive is recommended in addition to fasteners. Liquid Nails or similar commercial grade adhesives are suitable.

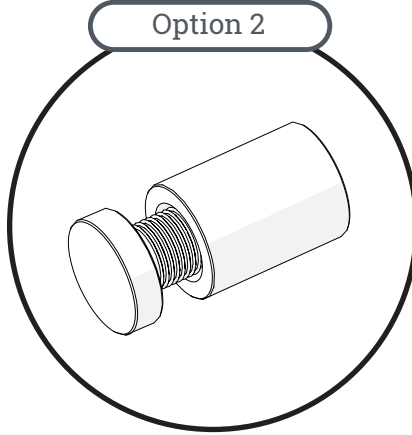
REQUIRED HARDWARE



Screws

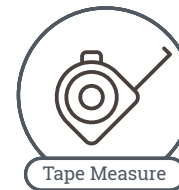
[Selected according to installation surface]

Option 2

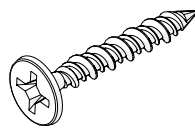


Aluminum Stand-off

REQUIRED TOOLS



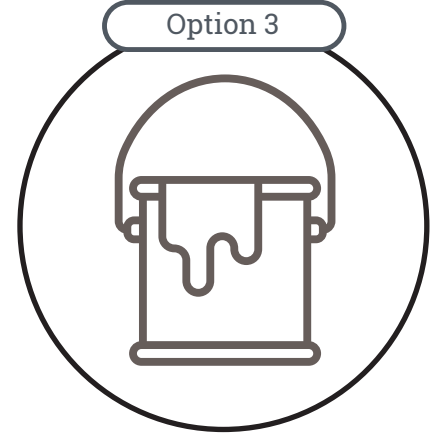
REQUIRED HARDWARE



Screws

[Selected according to installation surface]

Option 3



Adhesive

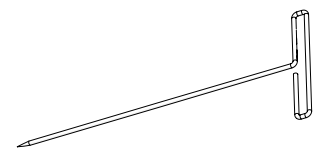
REQUIRED TOOLS



NOTE:

PANLs can be adhered directly to the wall. Adhesive is **NOT** included, but 3095 carpet glue or Liquid Nails is recommended.

RECOMMENDED HARDWARE

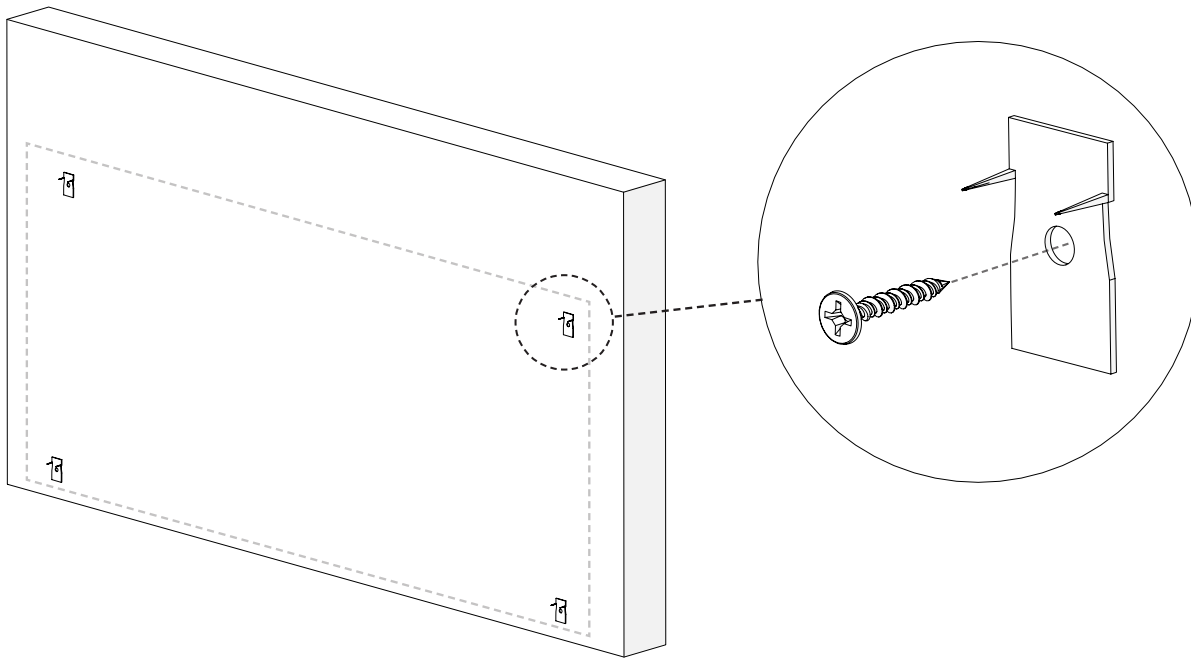


Pushpins

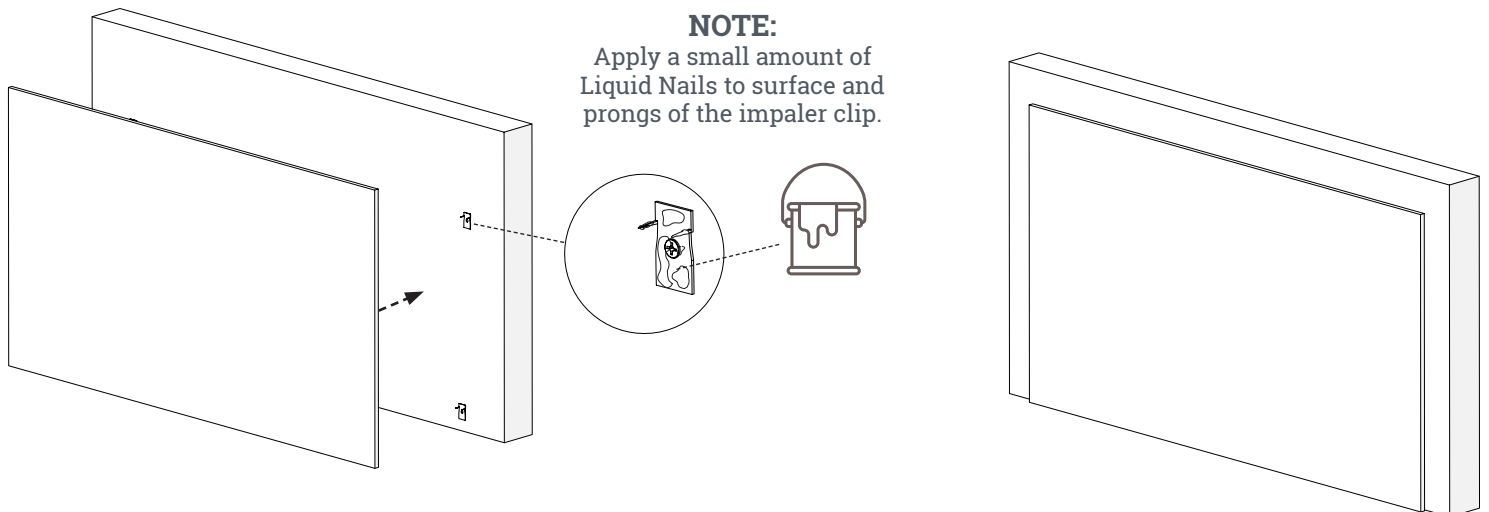
[Same or Similar: NOT INCLUDED]

PANL: IMPALER CLIP MOUNTING INSTRUCTIONS

- 1 Mark the desired location of the PANLS on the installation surface, and install the impaler clips at appropriate intervals, according to your PANL size.



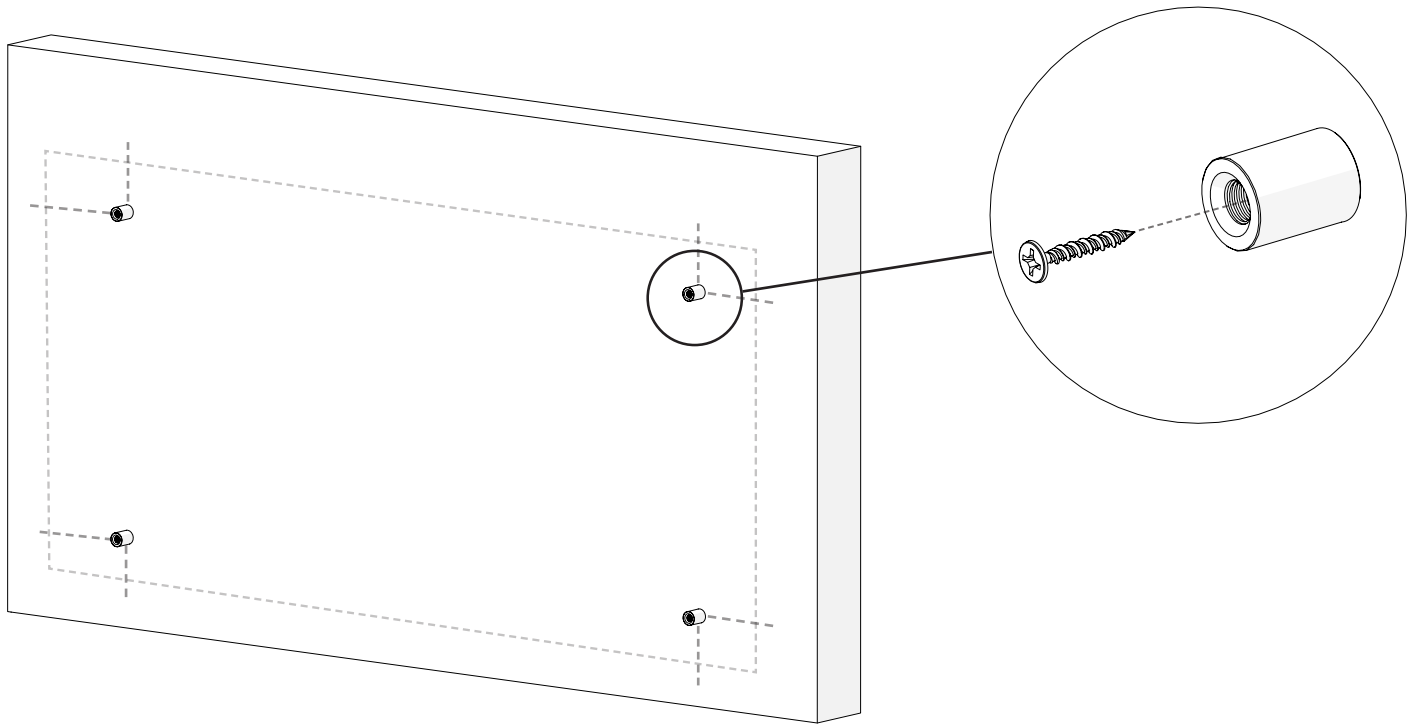
- 2 Press the PANL firmly against the impaler clips and secure in place.



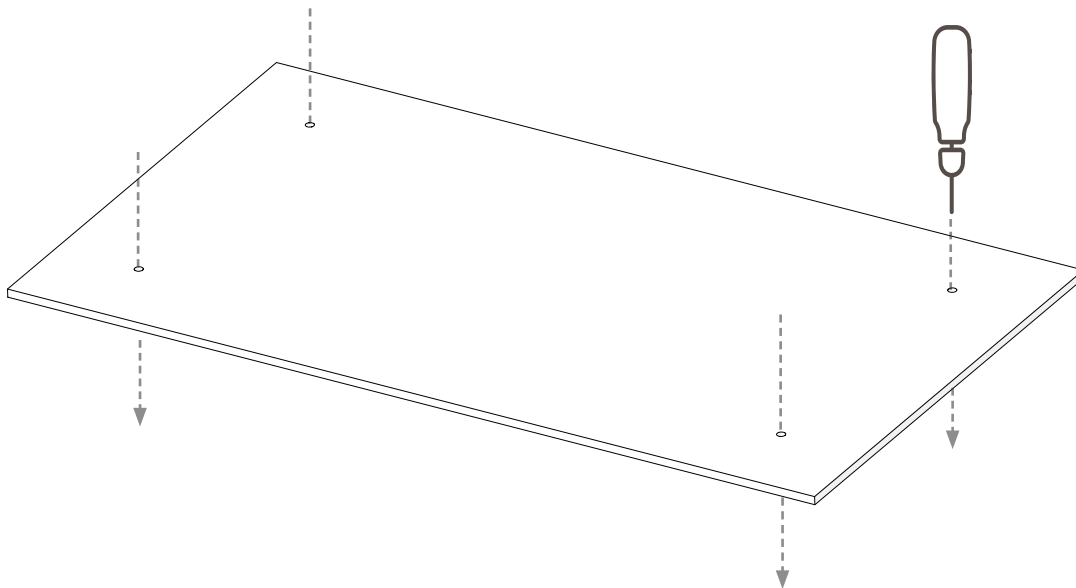
Installation complete.

PANL: STAND-OFF MOUNTING INSTRUCTIONS

- 1 Mark the location of the PANL and the mounting points on the surface and install the female threaded portion of the stand-offs at appropriate locations as shown below..

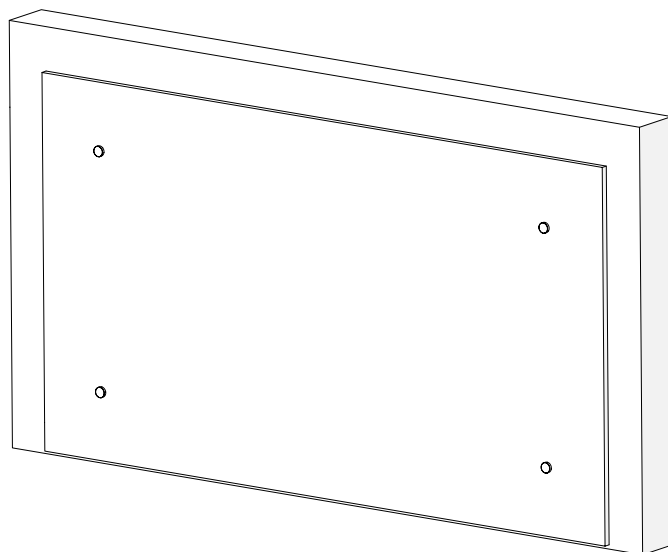
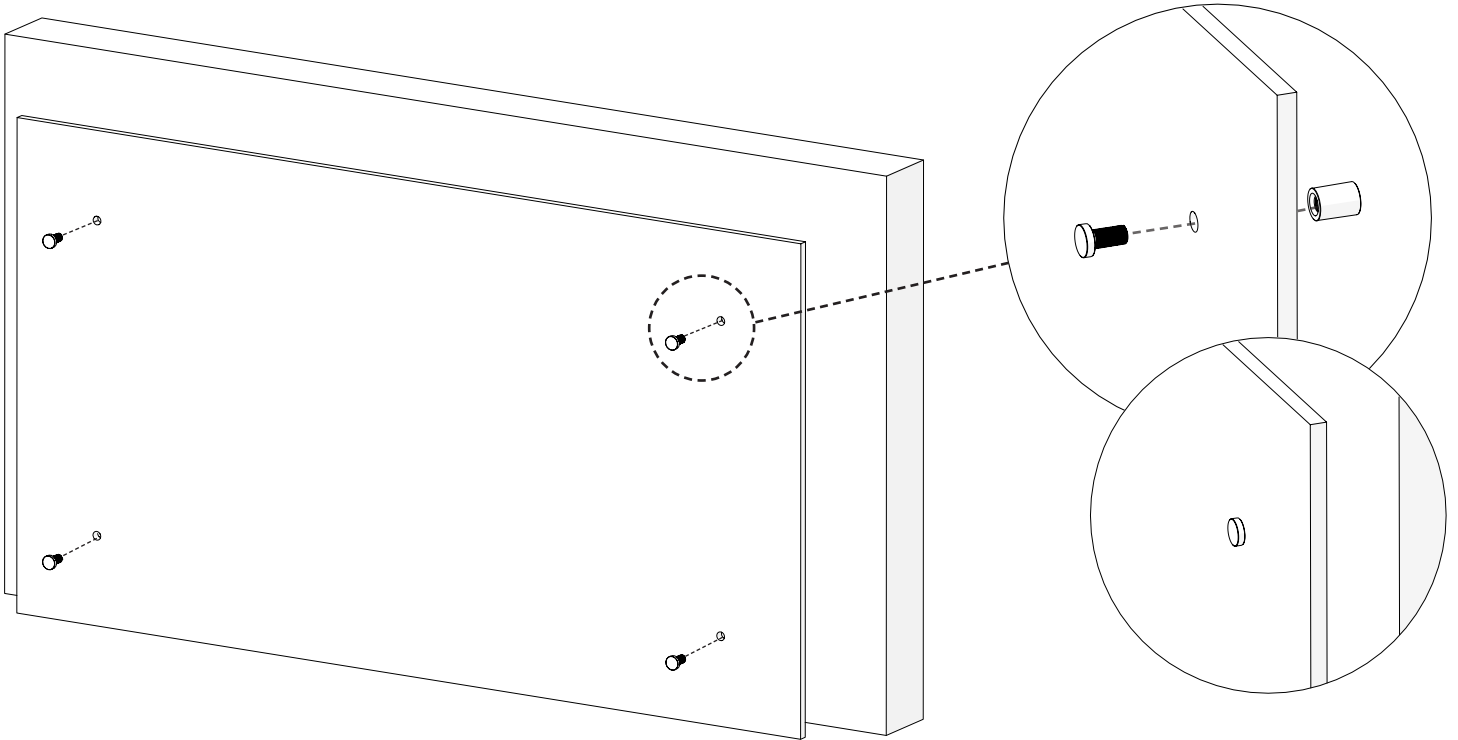


- 2 Mark the corresponding location of the stand-off positions on the back of the PANL. Use a hot soldering iron to create through holes on the PANL for the male threaded portion of the stand-offs.



PANL: STAND-OFF MOUNTING INSTRUCTIONS

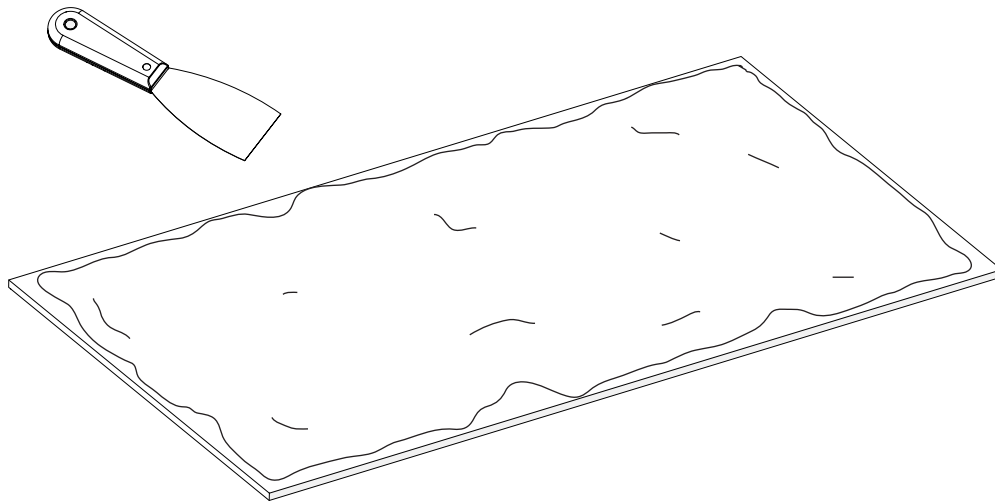
- Line the PANL up to the female portion of the stand-offs and screw in the male threaded caps to secure the PANL to the wall.



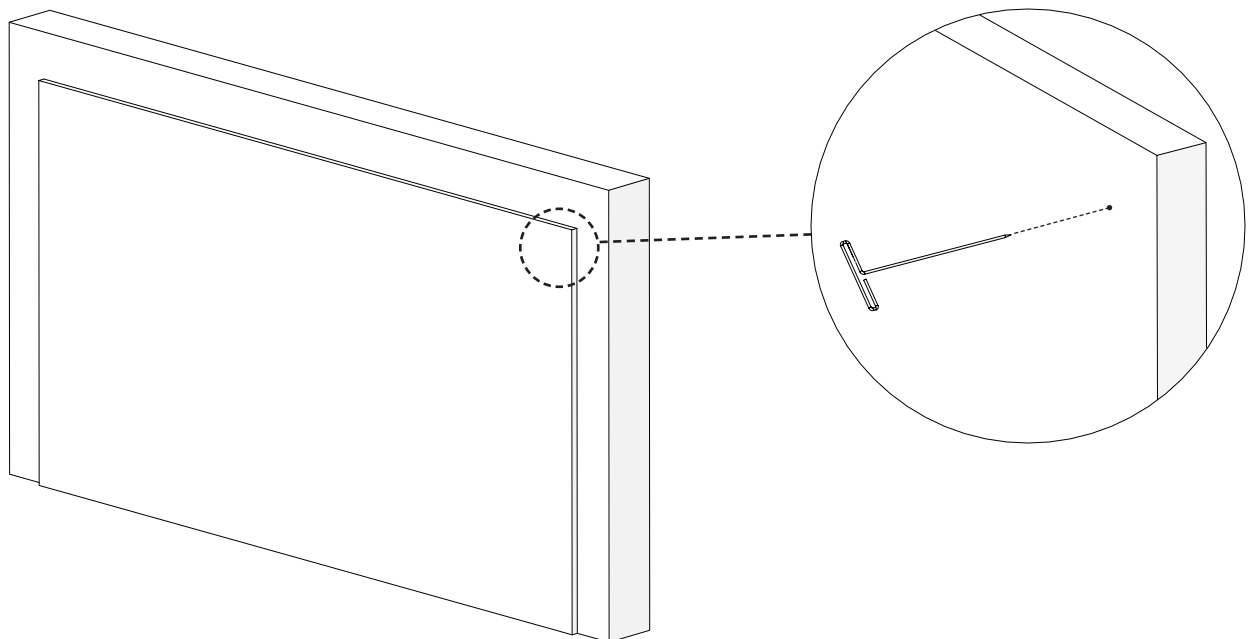
Installation complete.

PANL: ADHESIVE MOUNTING INSTRUCTIONS

- 1 Apply a generous layer of adhesive to the PANL and spread evenly with a putty knife.



- 2 Press the PANL firmly against the installation surface and fix in place with push pins. Remove the pins when the adhesive has been allowed to cure according to the manufacturer instructions.



Installation complete.