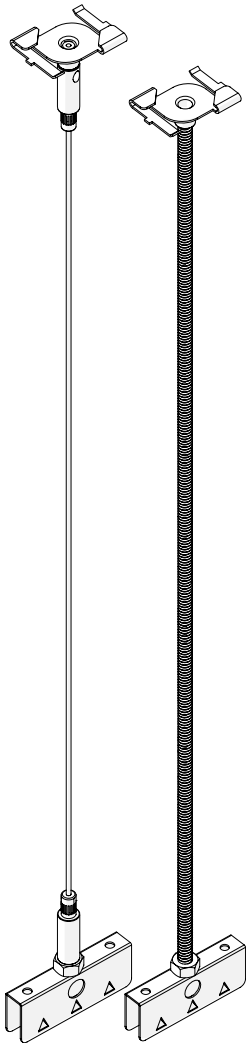


PANL

SUSPENSION INSTALLATION INSTRUCTIONS



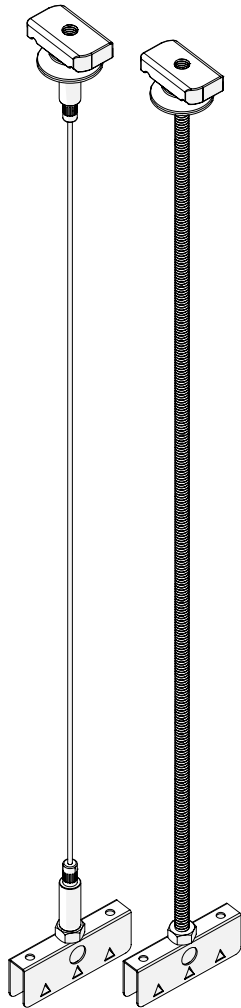
PANL: SUSPENSION HARDWARE CONFIGURATIONS



T-Grid

T-Grid Caddy Clips are designed to provide a reliable and sturdy mounting point on acoustical T-grid applications. They are compatible with threaded rod or aircraft cable.

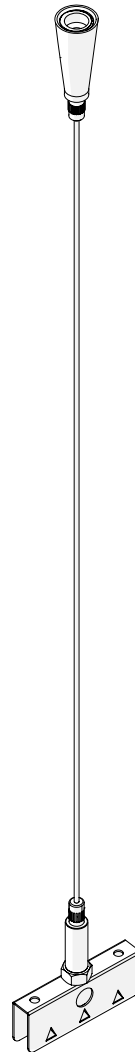
Pg.4



Unistrut

Unistrut locking nuts are designed to be used in conjunction with Unistrut metal framing systems, offering a secure and reliable fastening solution. They are compatible with threaded rod or aircraft cable.

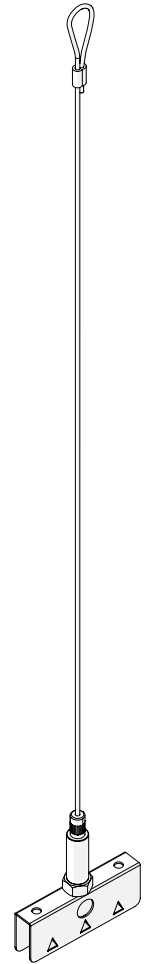
Pg.5



Cone Gripper

Cone grippers are designed to be adjustable, allowing for easy positioning and tensioning of the attached cable.

Pg.6

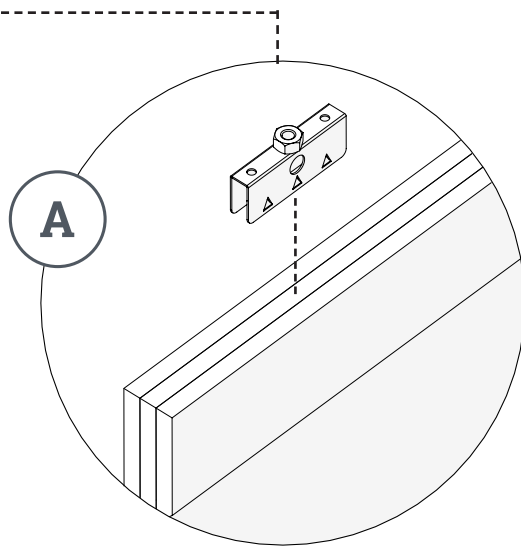
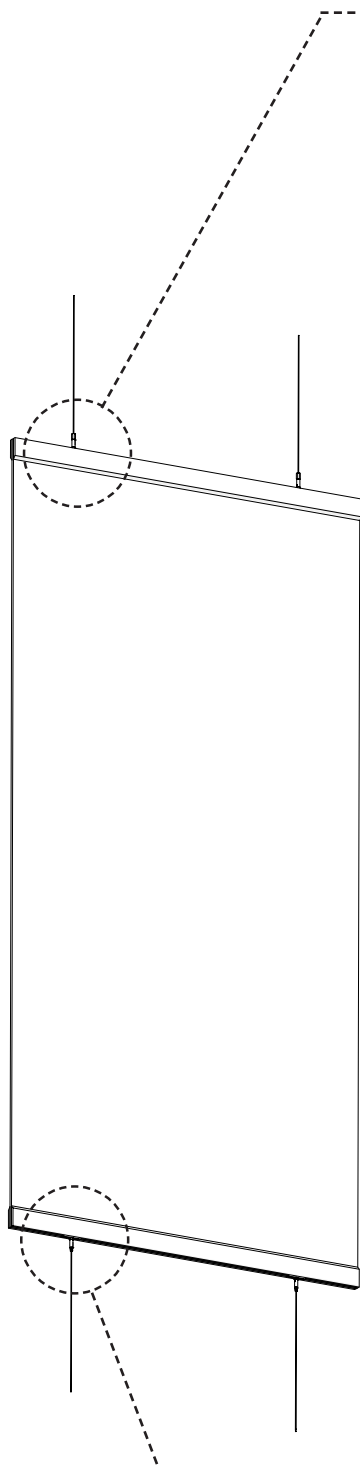


Loop & Crimp

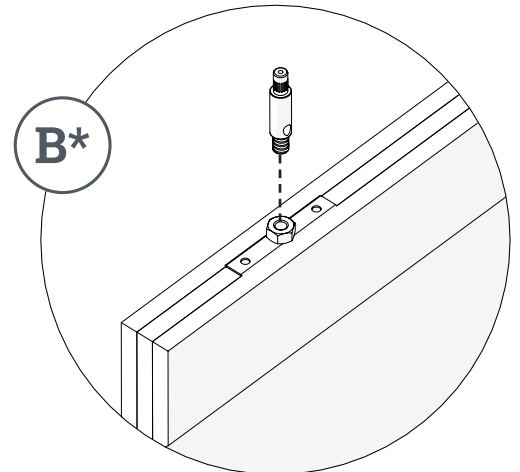
Cable crimps are perfect for securely forming a fixed loop in steel cables, ensuring a strong and permanent connection.

Pg.7

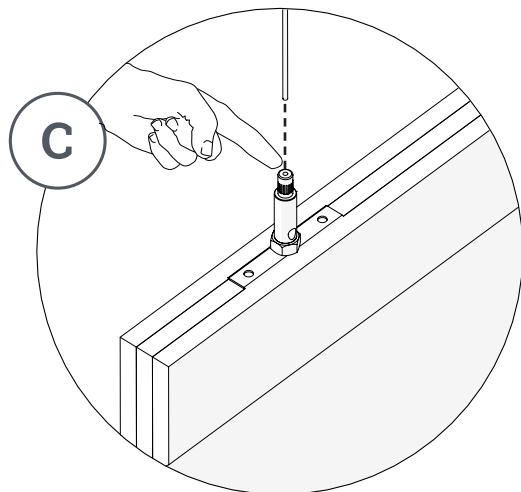
PANL: INSTALLING SPIKE BRACKETS & GRIP LOCKS



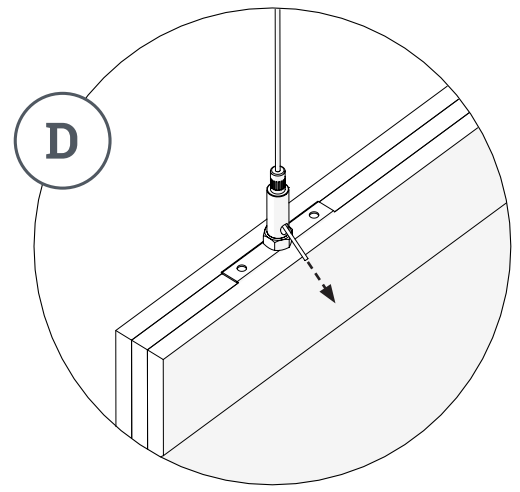
Press the spike bracket firmly into the edge of the felt.



Screw a Grip Lock (or threaded rod) into the nut on the bracket.



Press firmly on the plunger to insert the cable.

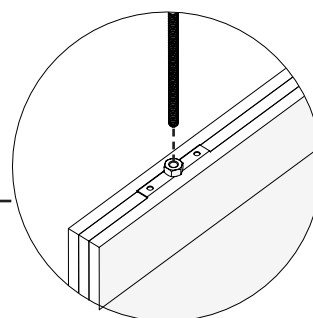


Thread the cable through the opening and release the plunger to lock the cable in place.

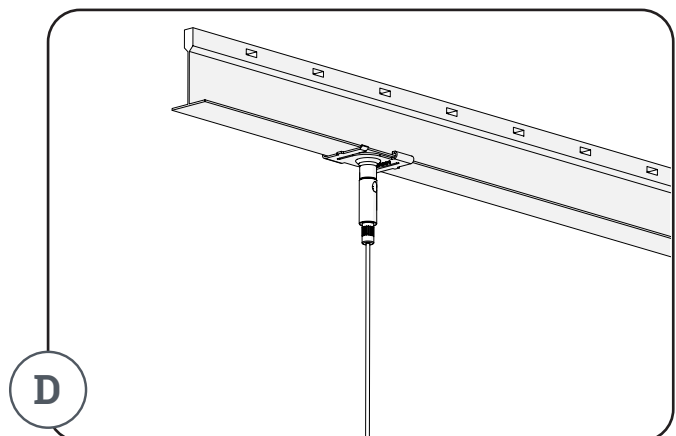
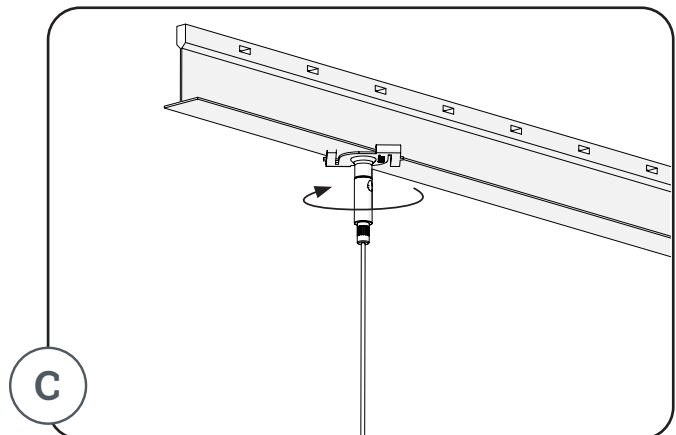
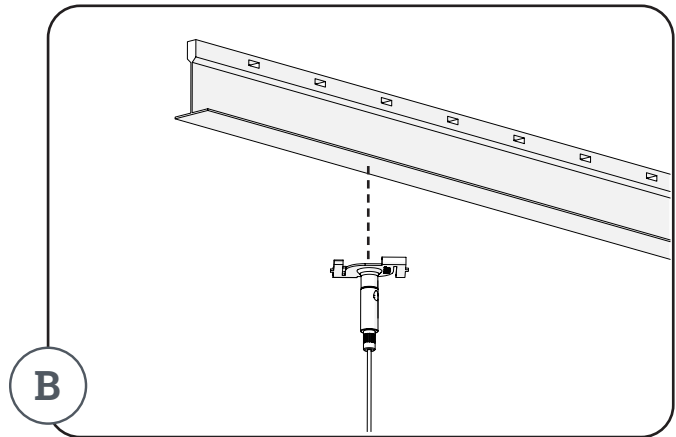
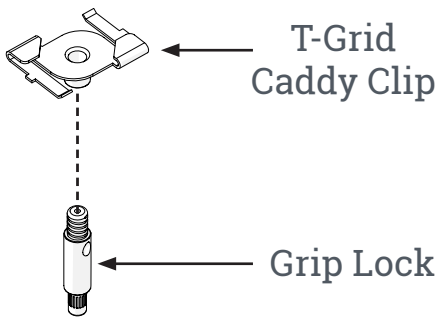
Spike brackets & Grip Lock assemblies may be used on the bottom of PANLs to secure them to the floor with cone grippers.



For applications that use threaded rod, screw the rod directly into the bracket nut.

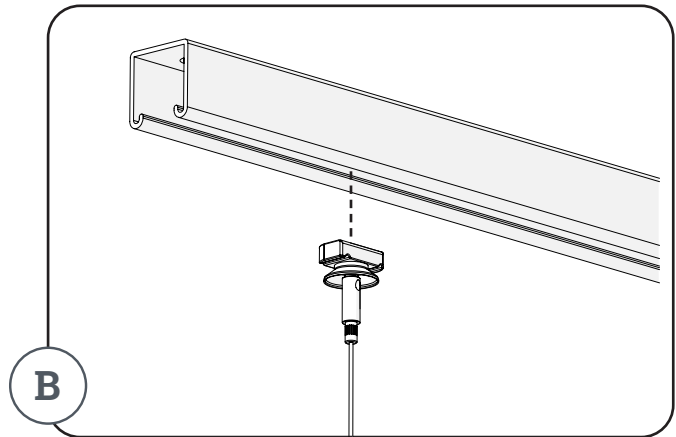
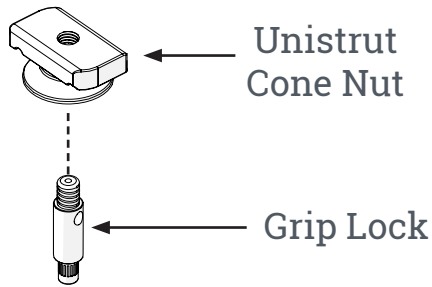


PANL: T-GRID INSTALLATION INSTRUCTIONS

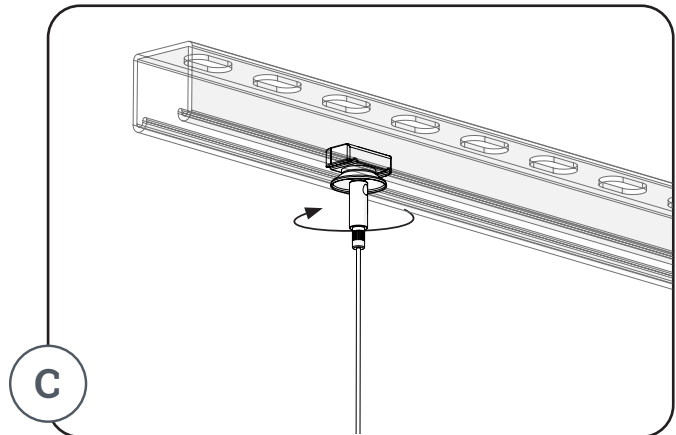


Follow the instructions on pg. 4 to attach the spike bracket, then assemble the complete suspension hardware as shown

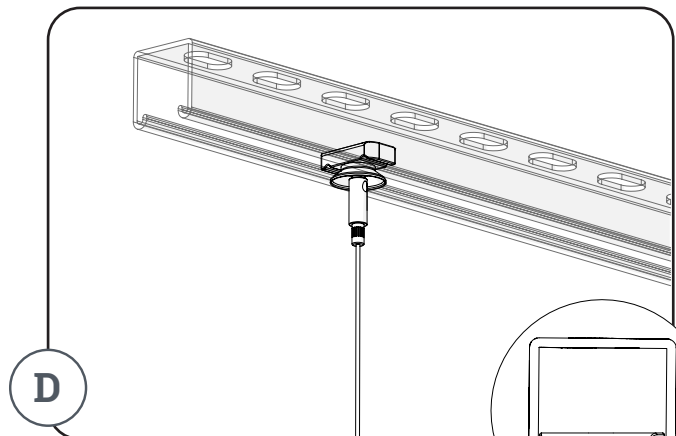
PANL: UNISTRUT INSTALLATION INSTRUCTIONS



Align the nut to the opening of the unistrut and insert into opening.



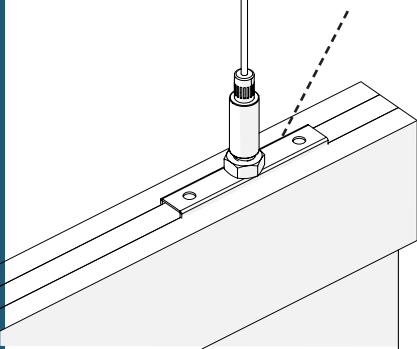
Rotate the nut to lock it in place.



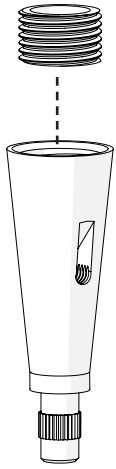
Complete.



Follow the instructions on pg. 4 to attach the spike bracket, then assemble the complete suspension hardware as shown

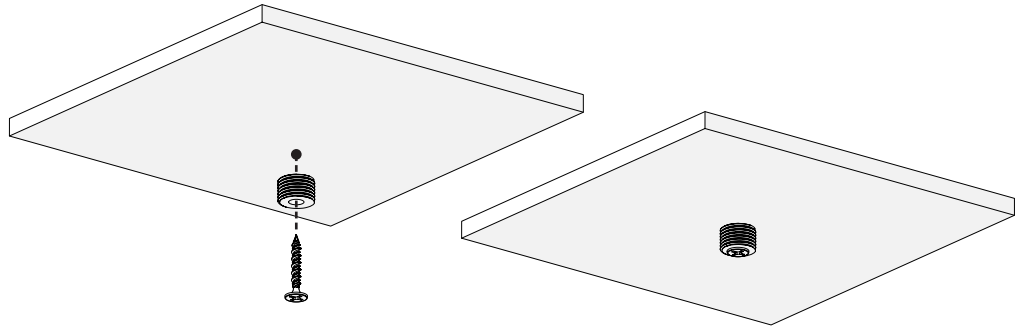


PANL: CONE GRIPPER INSTALLATION INSTRUCTIONS



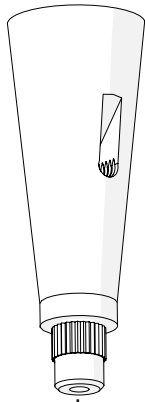
A

Remove the threaded insert from the cone.



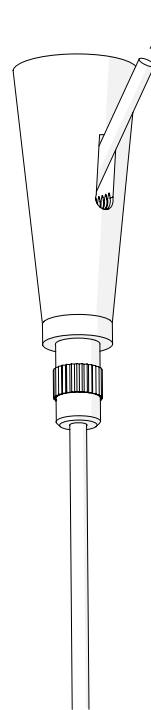
B

Screw the insert to the mounting surface.



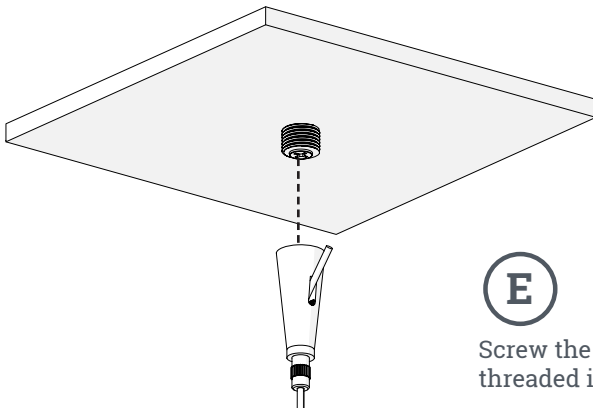
C

Press down on the plunger while inserting the cable.



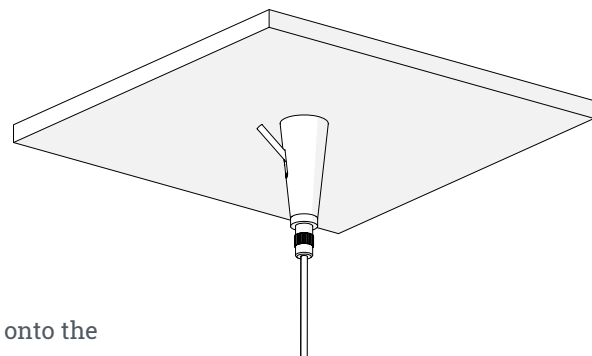
D

Thread the cable through the side exit and release the plunger to lock the cable in place.

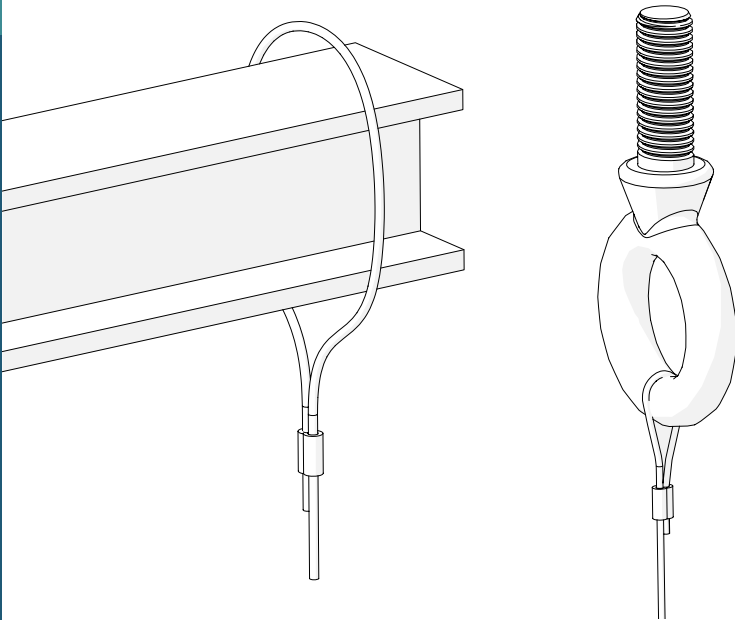


E

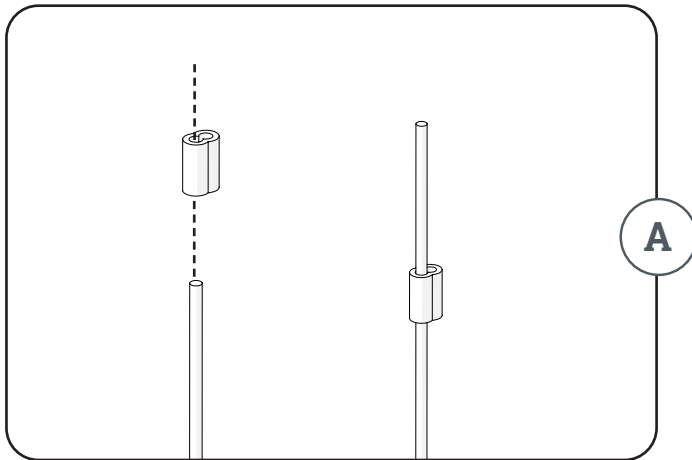
Screw the cone onto the threaded insert.



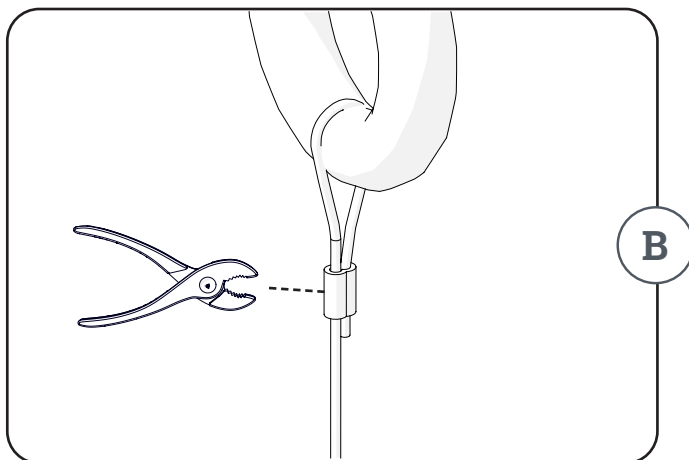
PANL: CABLE CRIMP INSTALLATION INSTRUCTIONS



Cable crimps can be used to secure cable loops around existing ceiling structures or specialty mounting hardware.

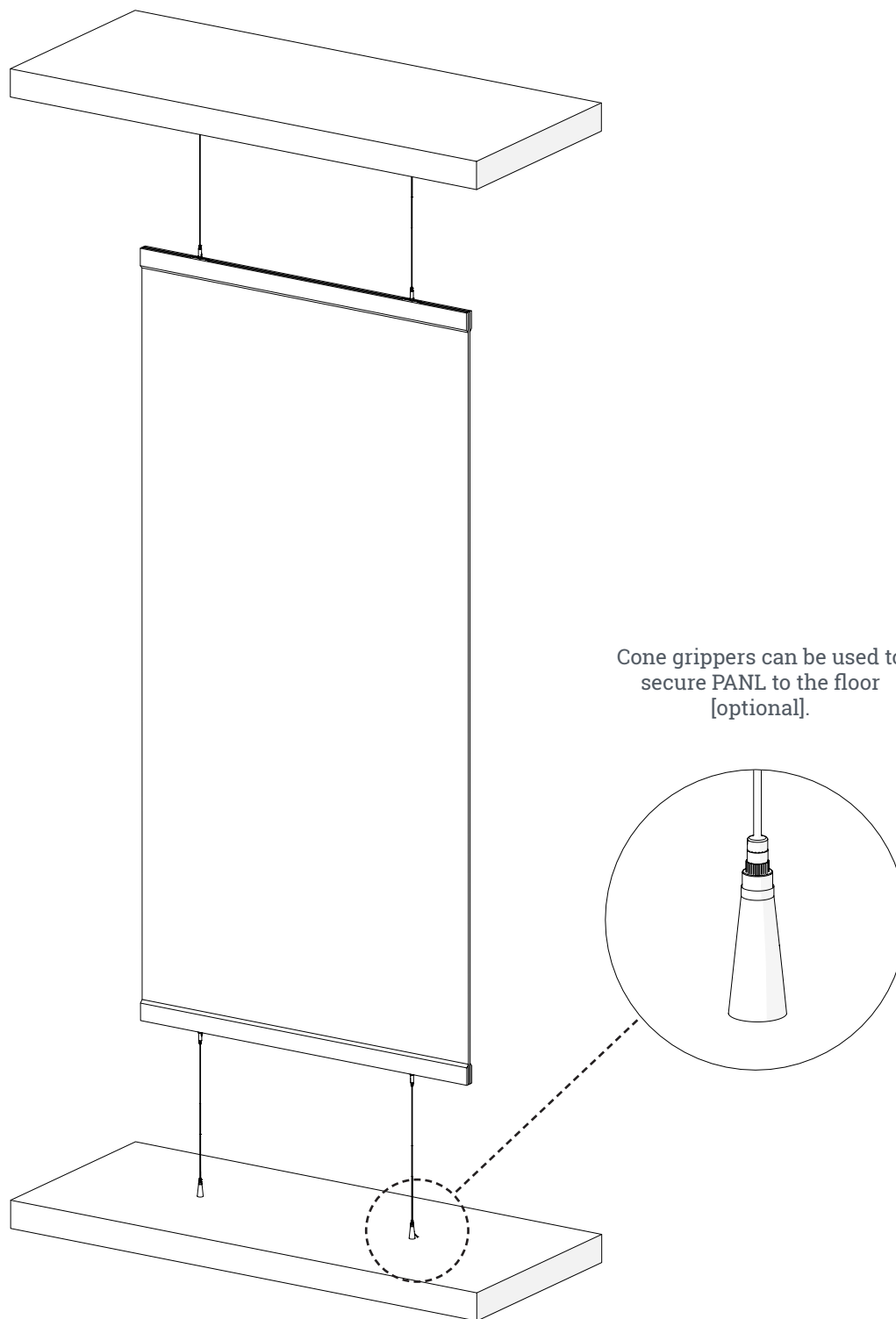


Thread the end of the cable through one hole of the crimp.



Loop the cable through/over the mounting structure and back into the opposite hole in the crimp. Squeeze the crimp tightly to secure the cable.

PANL: INSTALLATION INSTRUCTIONS



INSTALLATION COMPLETE.