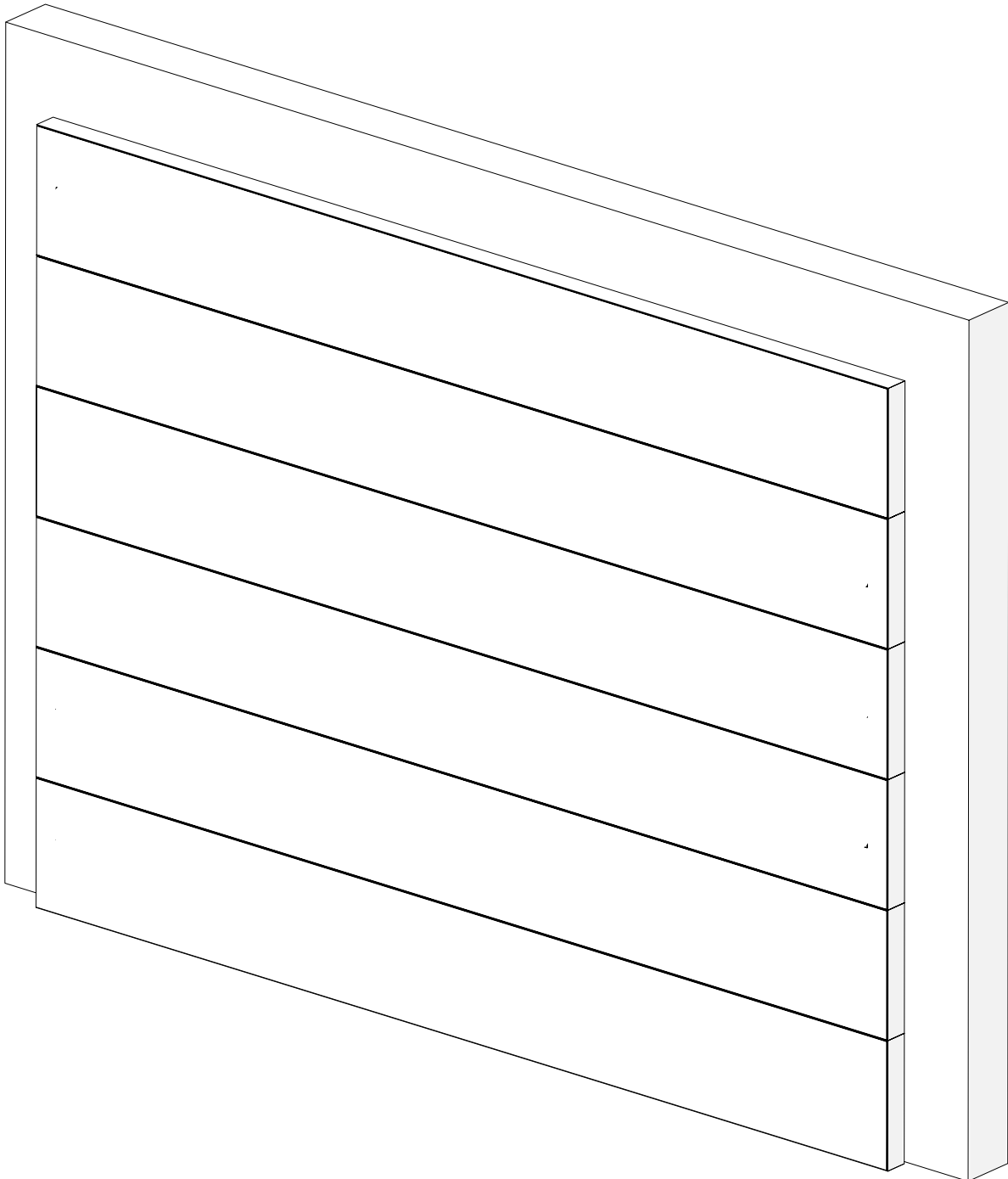
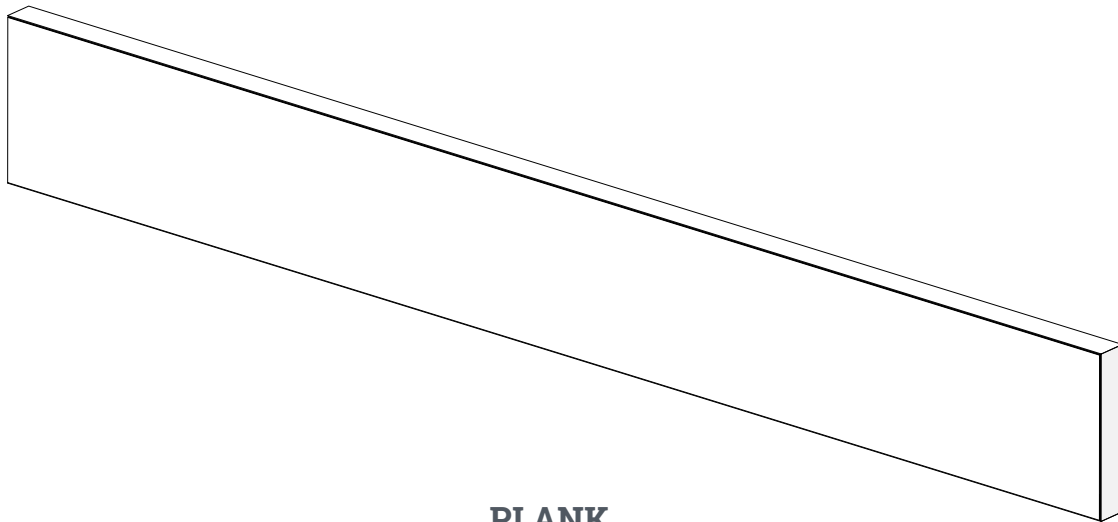


PLANK

INSTALLATION INSTRUCTIONS



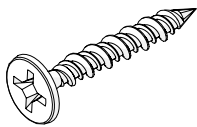
INCLUDED COMPONENTS



PLANK

[Quantity based on order]

REQUIRED HARDWARE



Screws

[Selected according to installation surface]

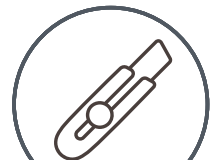
REQUIRED TOOLS



Power Drill



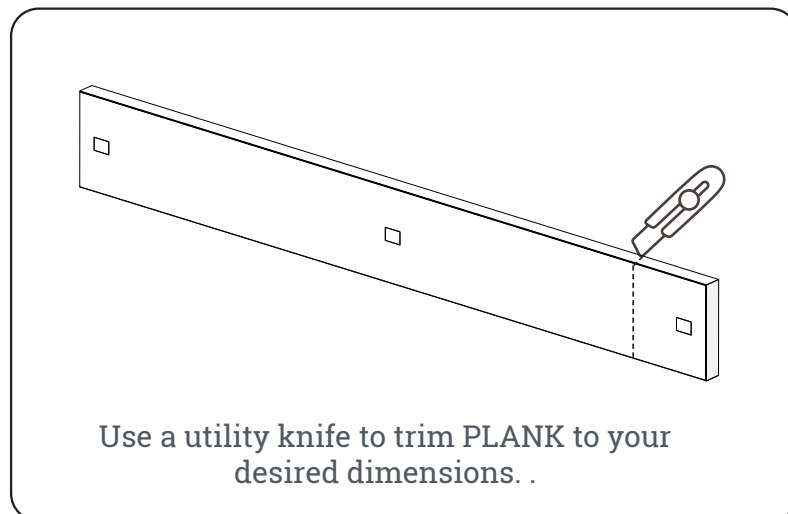
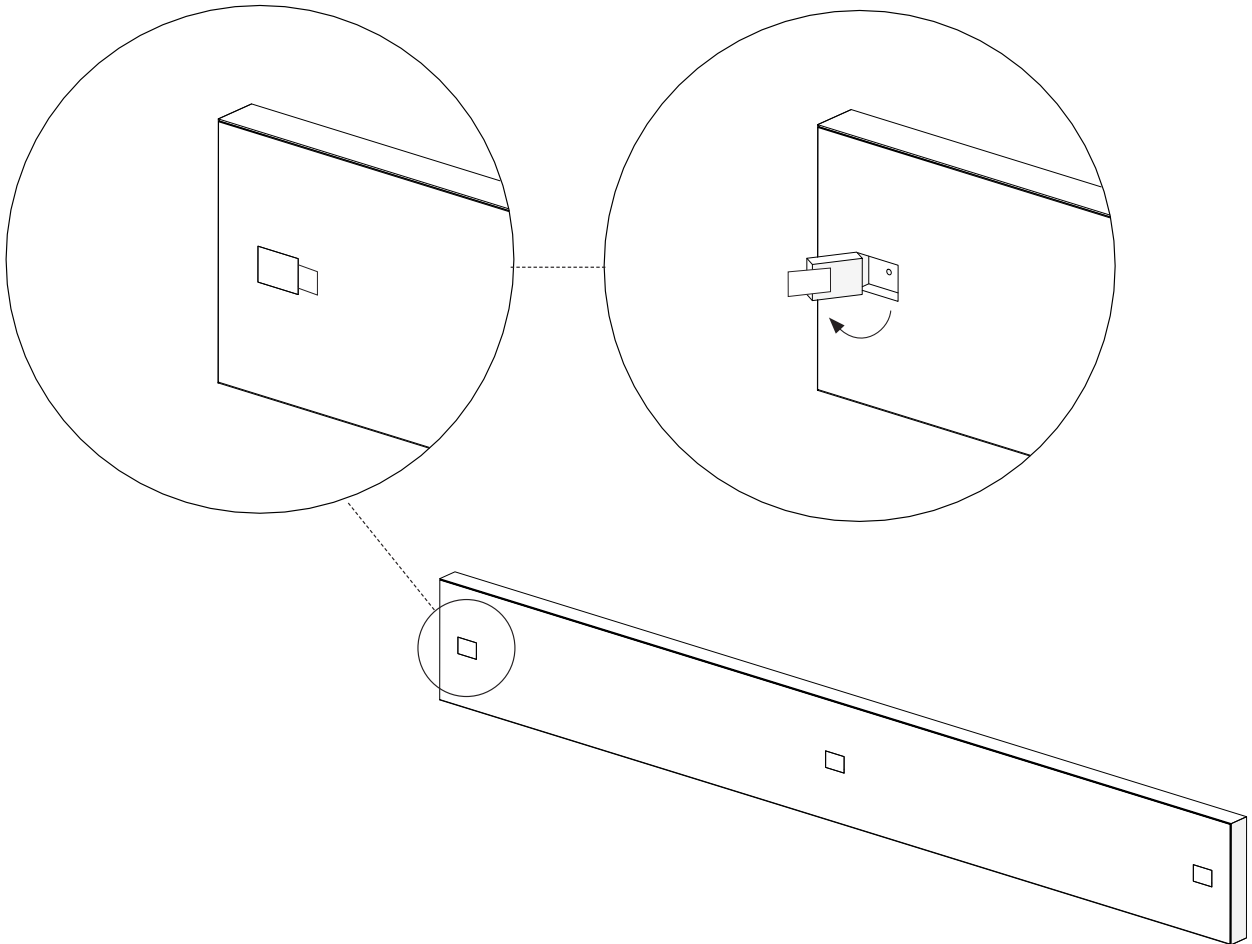
Tape Measure



Utility Knife

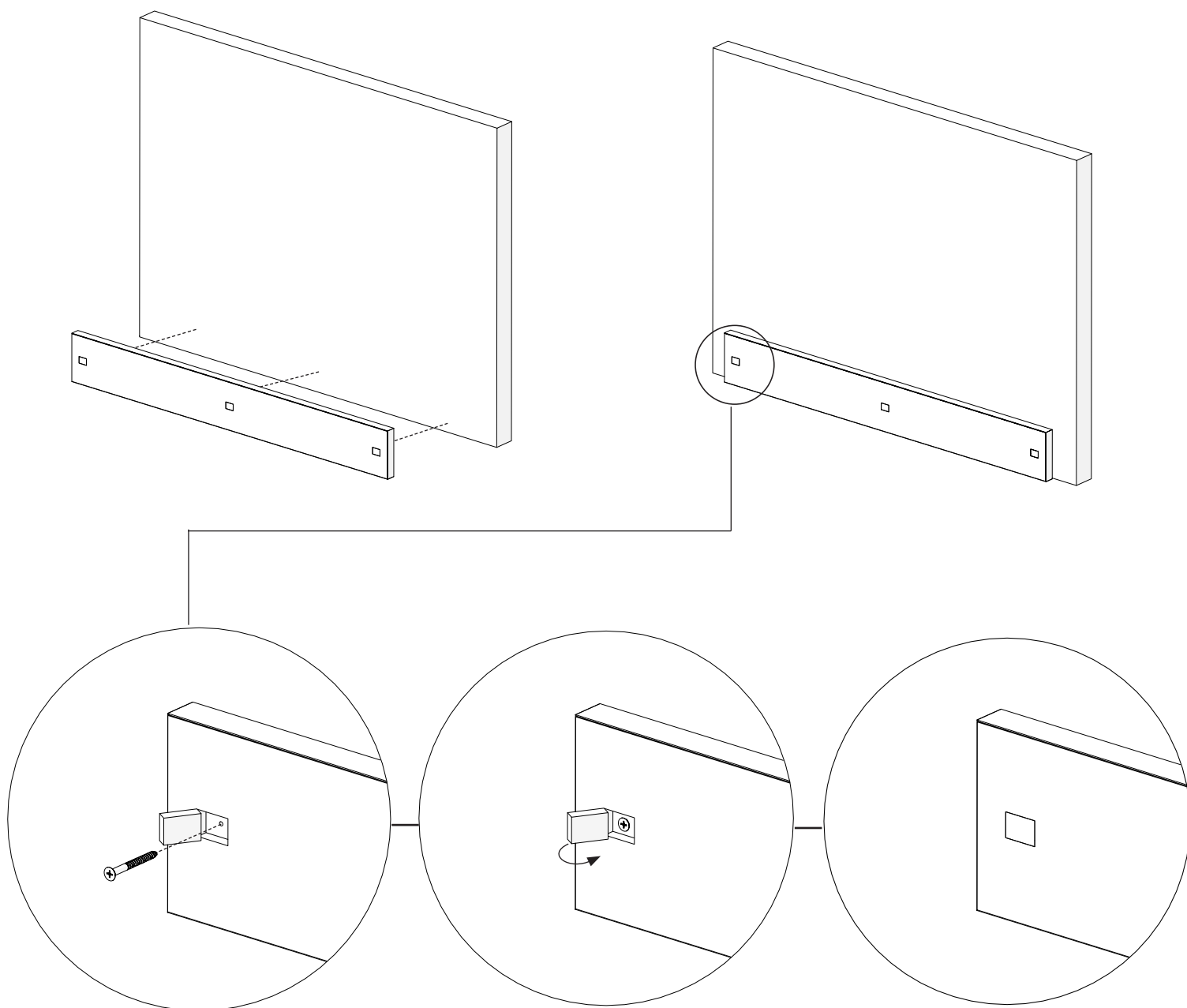
PLANK: INSTALLATION INSTRUCTIONS

- 1 Locate the clear plastic tab on the secret trap doors of the PLANKs and gently open them to reveal the mounting hole. Once open, you may remove the clear plastic tab and discard it.



PLANK: INSTALLATION INSTRUCTIONS

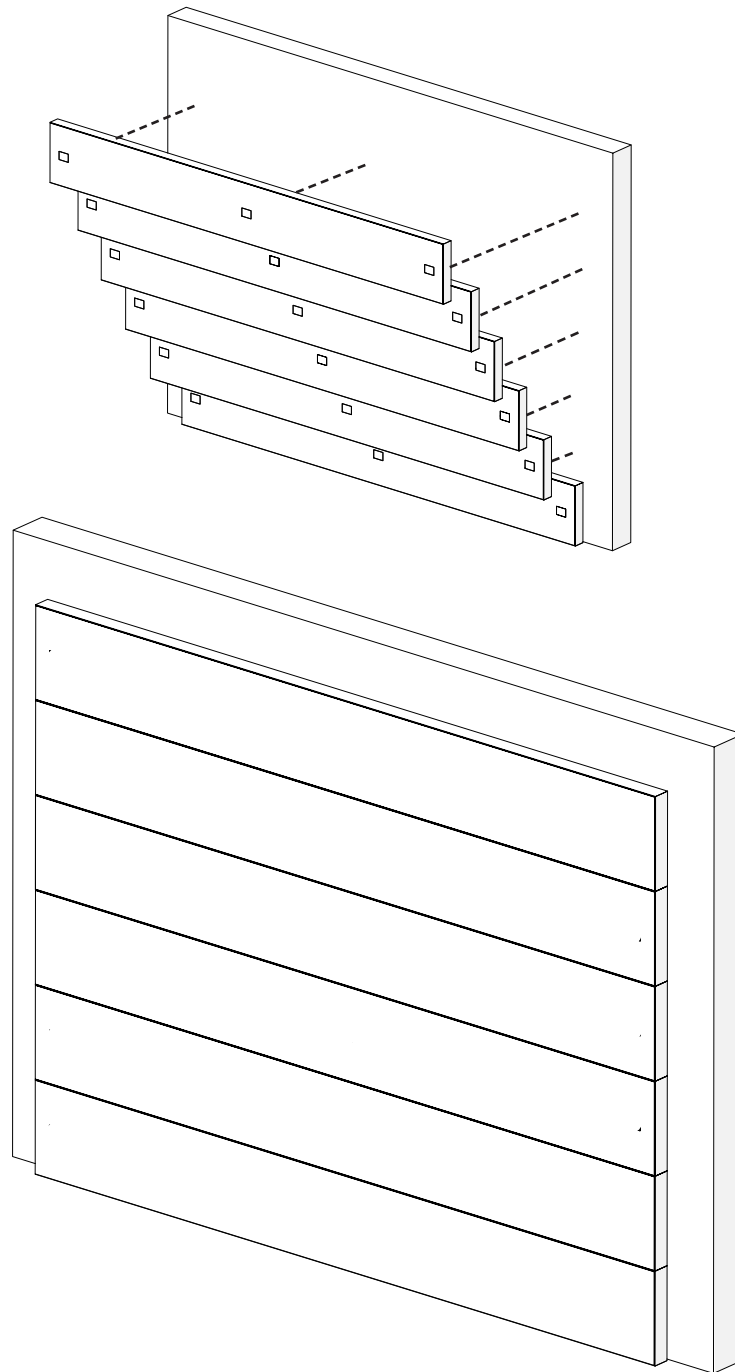
- 2 Mark the desired layout on the wall and install PLANK as shown.



Gently close the trap door to conceal the screw.

PLANK: INSTALLATION INSTRUCTIONS

- 3 Install the remaining PLANKs according to your desired pattern.



Installation complete.