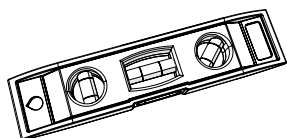


SLIDING PANEL: INSTALLATION INSTRUCTIONS

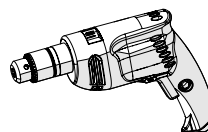
ACOUSTICAL SCREEN



REQUIRED TOOLS



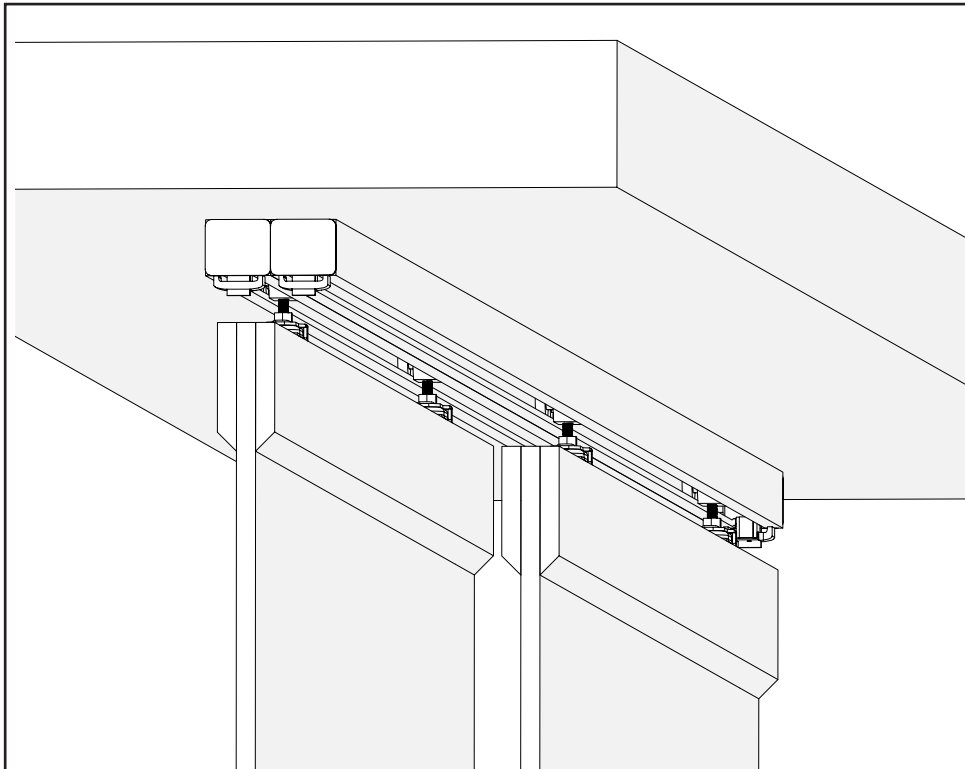
Level



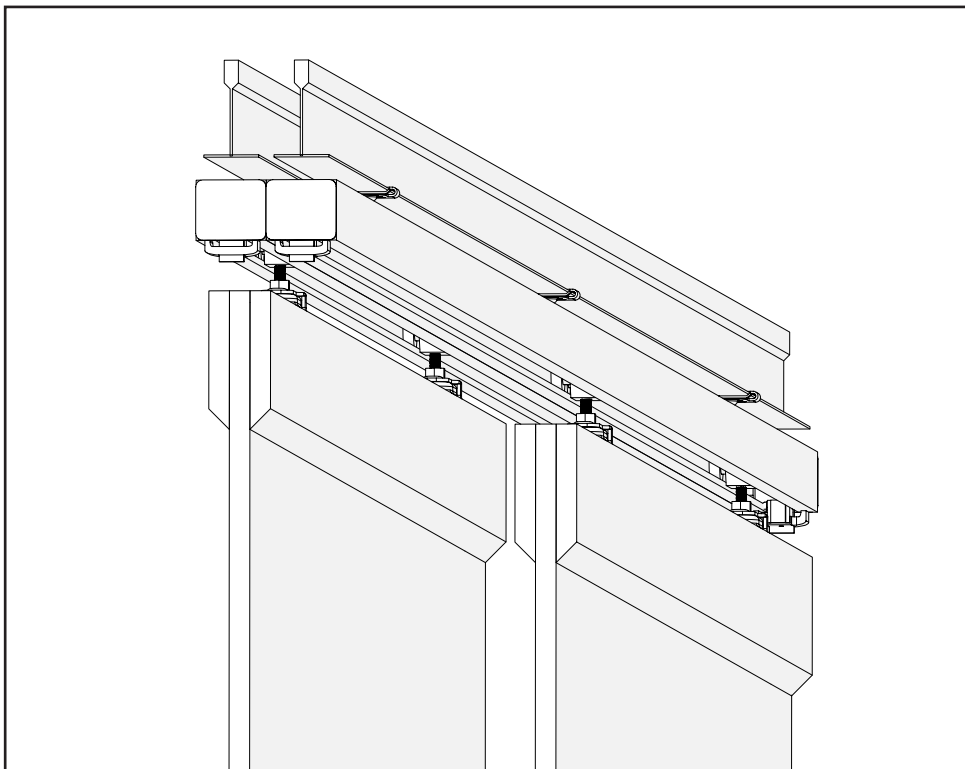
Drill

SLIDING PANL: INSTALLATION INSTRUCTIONS

Sliding PANL is available in 2 mounting variations:



A: Direct mount to ceiling.

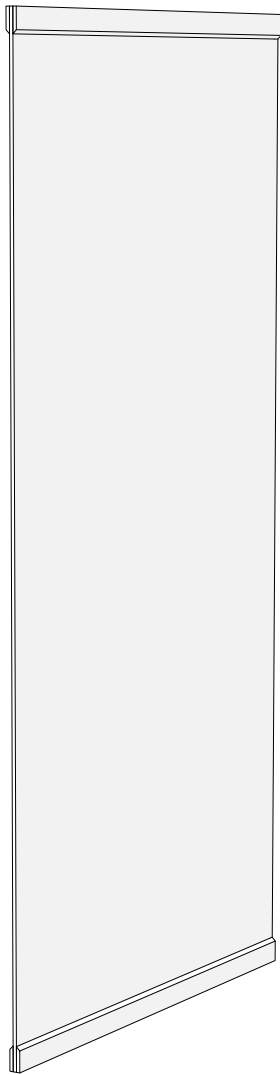


B: Mount to T-Grid ceiling.

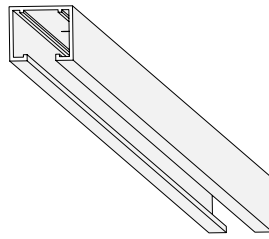
SLIDING PANL:

DIRECT TO CEILING MOUNT

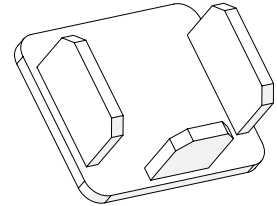
INCLUDED HARDWARE



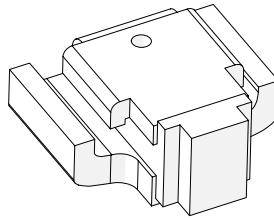
PANL [x1]



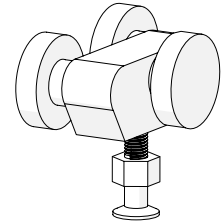
Stock Track [x2]



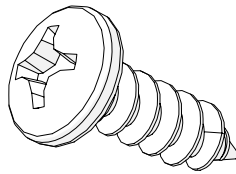
Track Cap [x4]



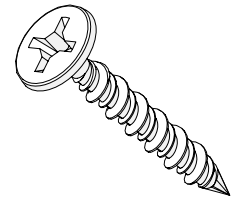
Track Stop [x4]



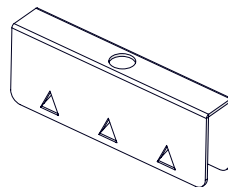
Sliding Hardware [x4]



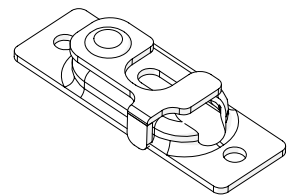
Sheet Metal Screw [x8]



Drywall Screw [x24]



Saddle Bracket [x4]

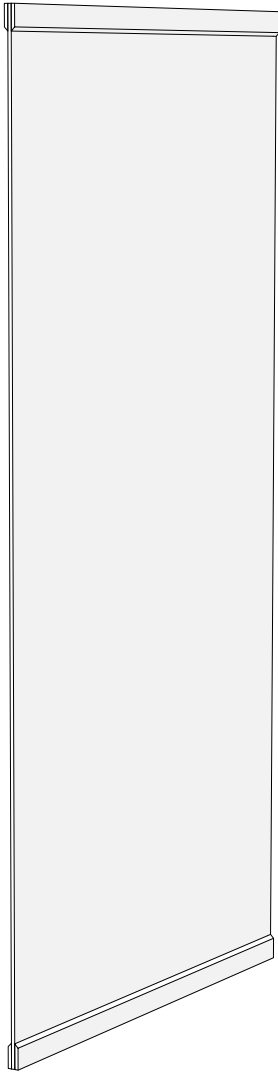


Slider Clasp [x4]

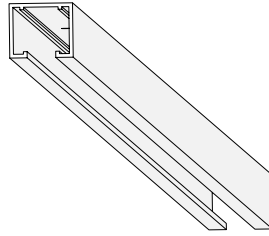
SLIDING PANL:

T-GRID MOUNT

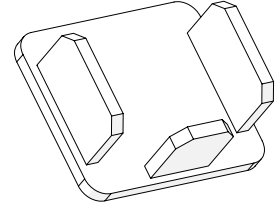
INCLUDED HARDWARE



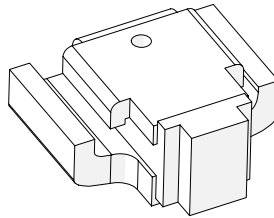
PANL [x1]



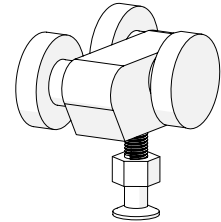
Stock Track [x2]



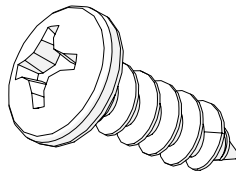
Track Cap [x4]



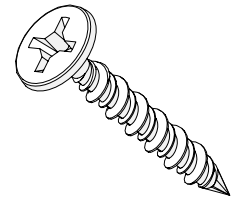
Track Stop [x4]



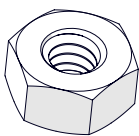
Sliding Hardware [x4]



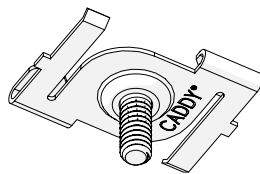
Sheet Metal Screw [x8]



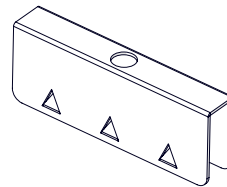
Drywall Screw [x24]



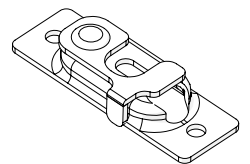
1/4"-20 Hex Nut [x12]



Tgrid Caddy Clip [x6]



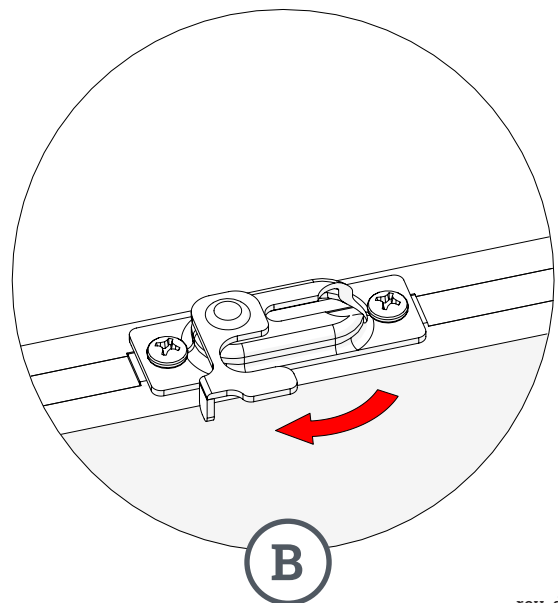
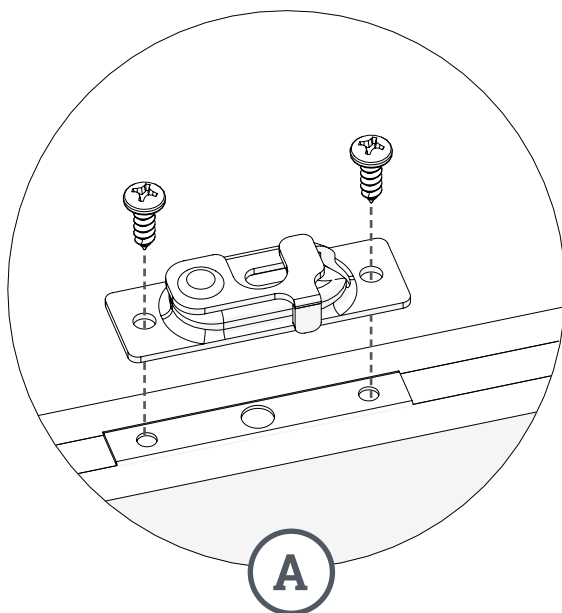
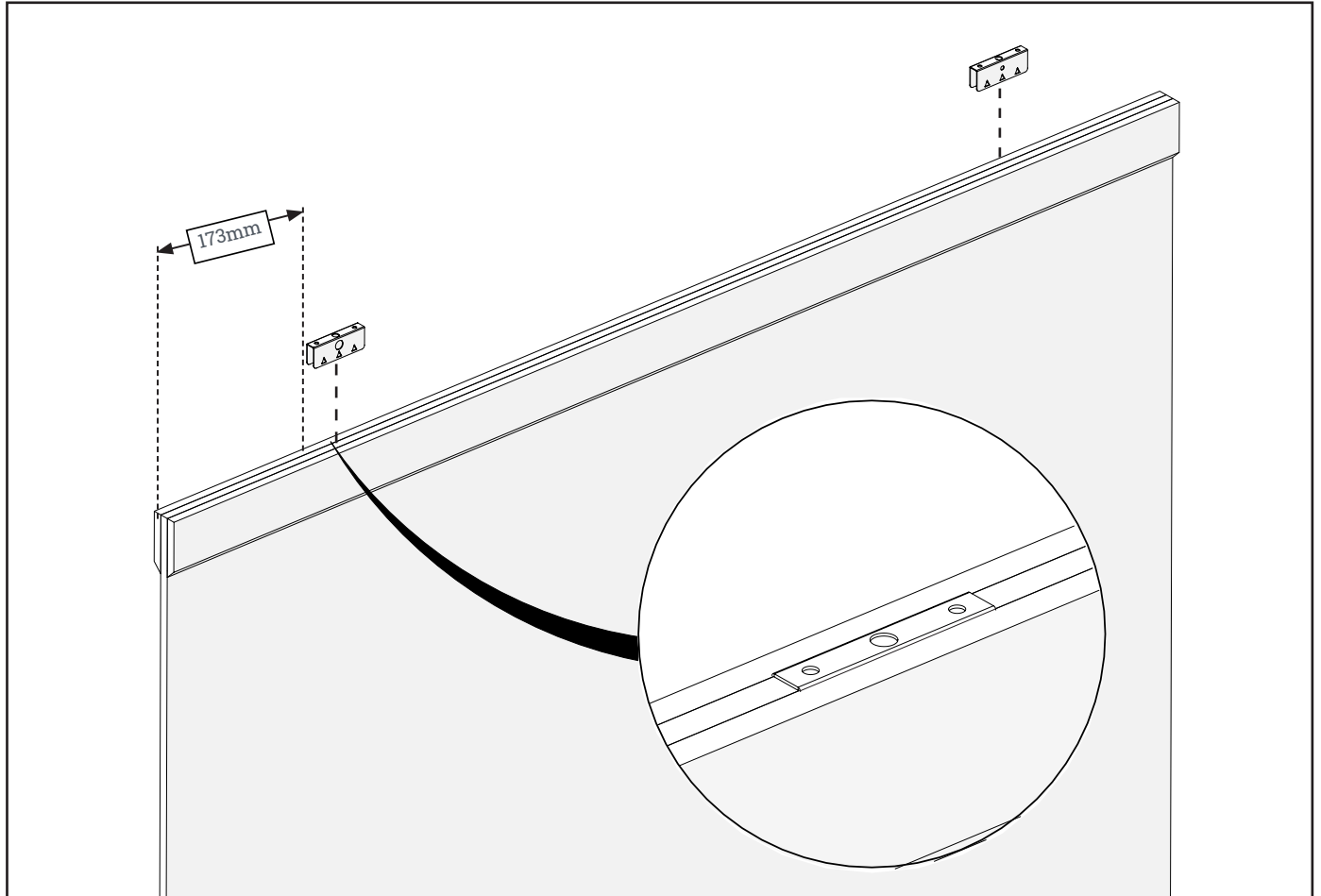
Saddle Bracket [x4]



Slider Clasp [x4]

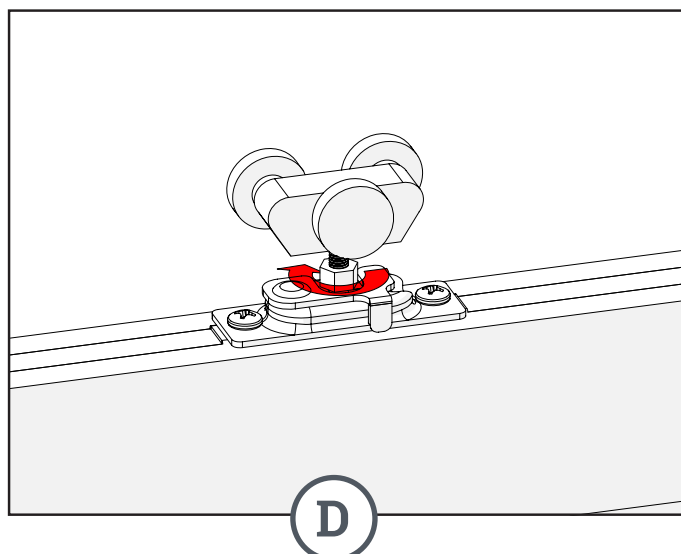
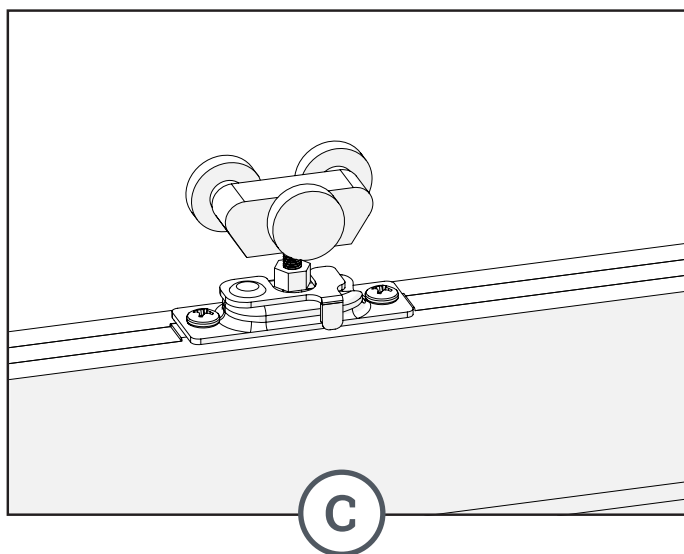
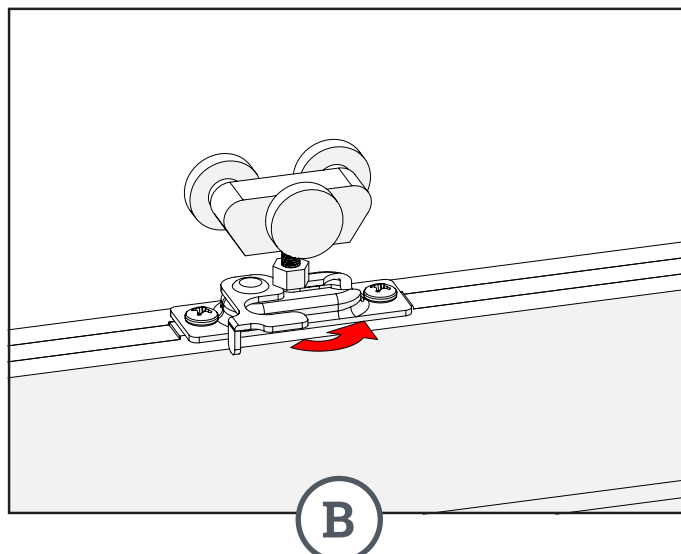
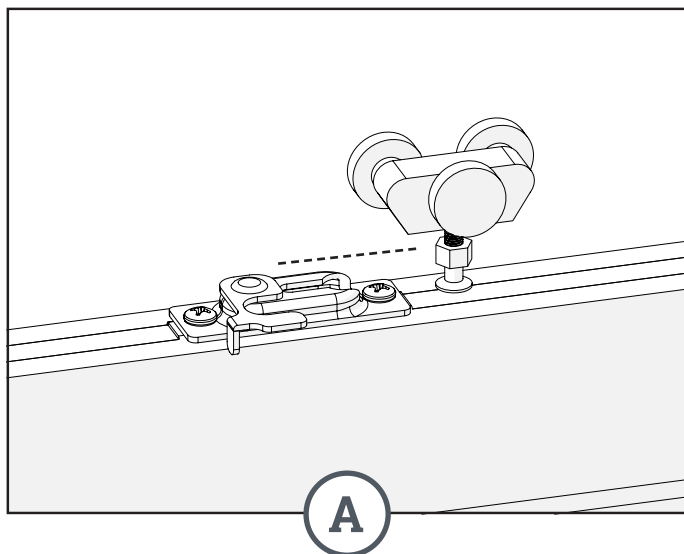
SLIDING PANL: INSTALLATION INSTRUCTIONS

- 1 Press the saddle brackets firmly into the center felt strip of the PANLs, approx 173mm from the edges. Use the sheet metal screws to secure a clasp to each bracket as shown below.



SLIDING PANEL: INSTALLATION INSTRUCTIONS

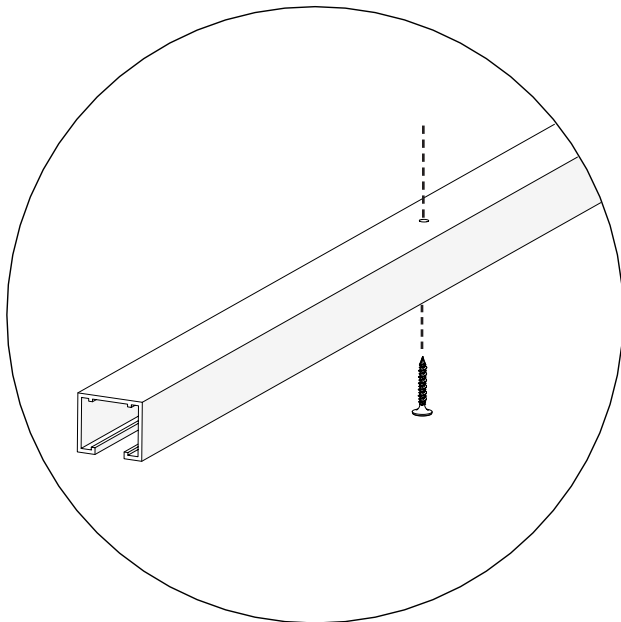
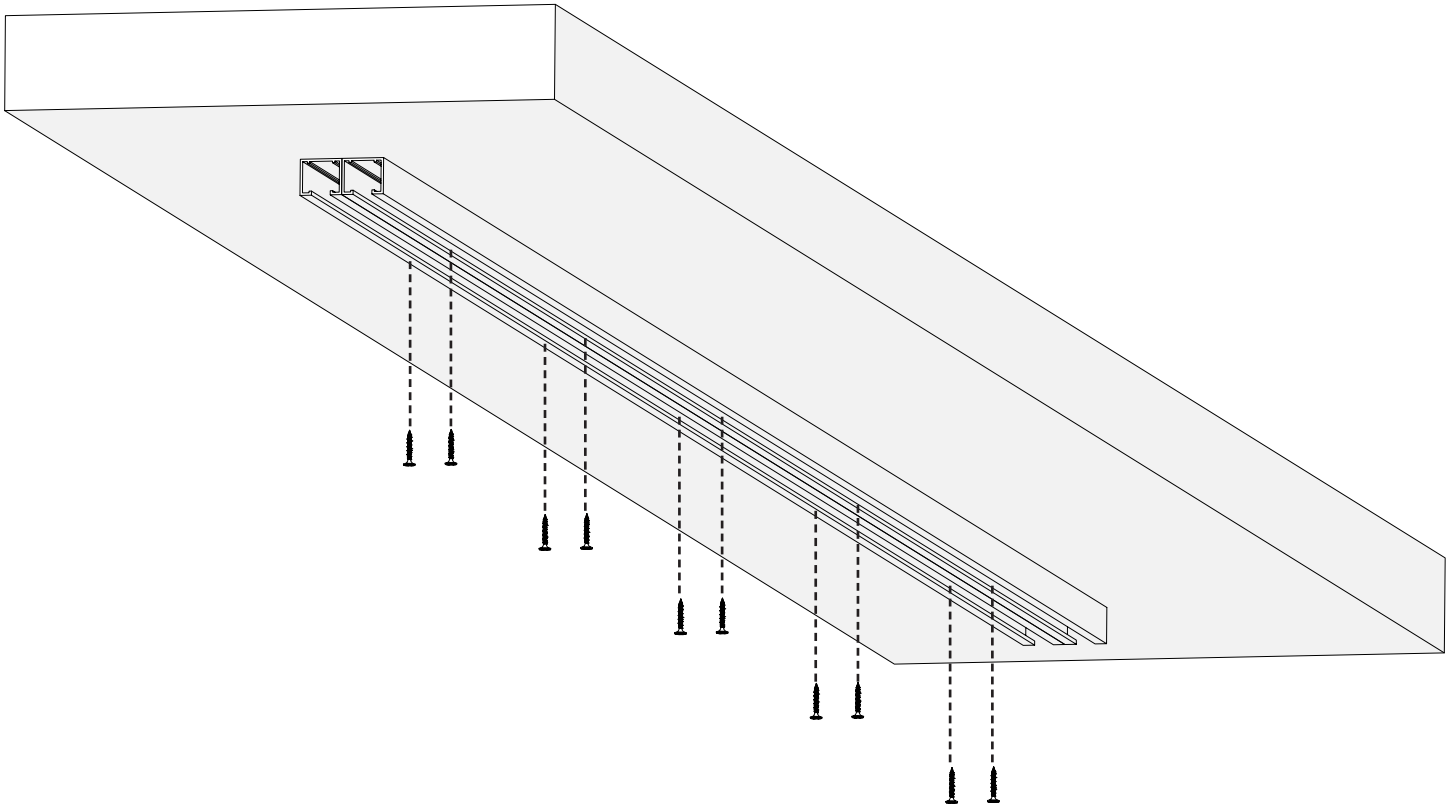
- 2** Attach the sliding hardware to the clasps. Use the hex nut on the post of the sliding hardware to tighten it to the clasp.



If you are installing for T-Grid, skip to page 11

SLIDING PANEL: INSTALLATION INSTRUCTIONS

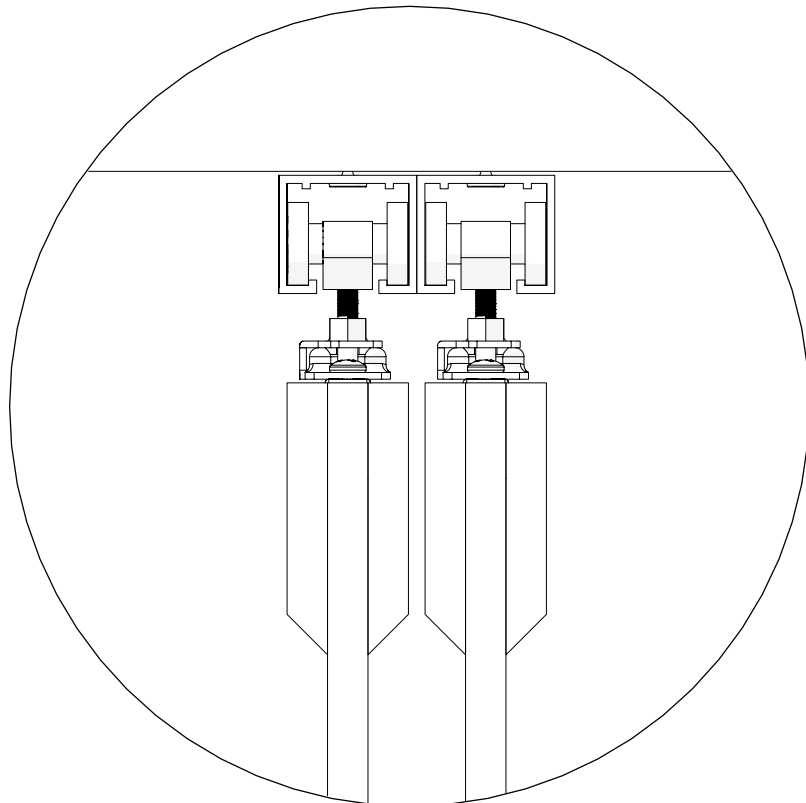
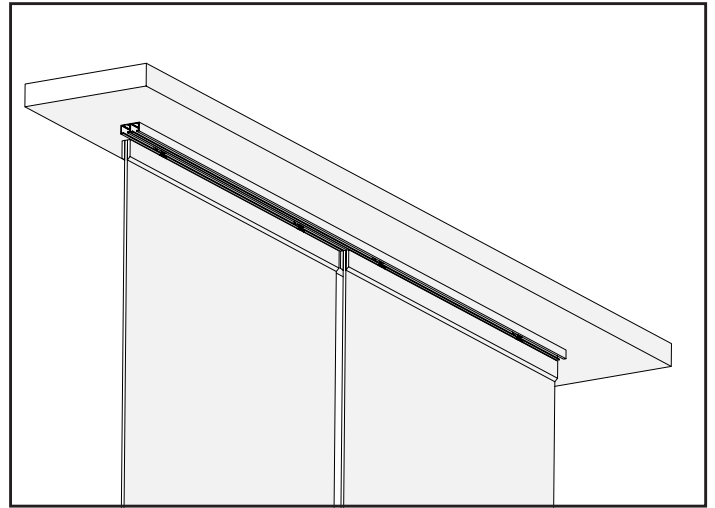
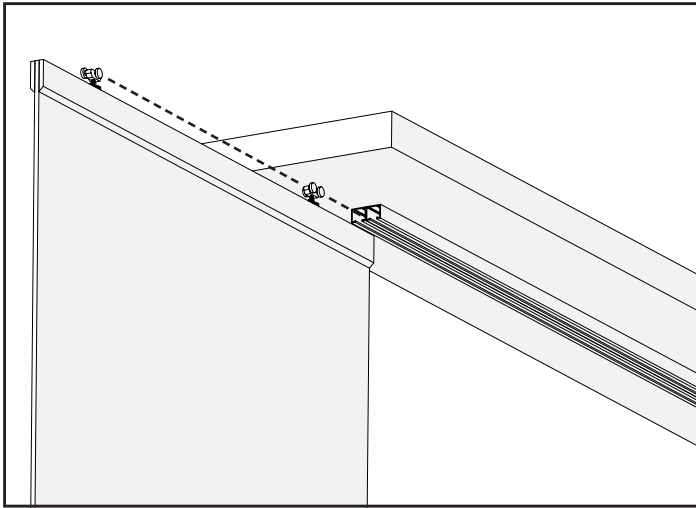
- 3 Align the track to the ceiling and secure it with the drywall screws.



NOTE: The holes in the track are only large enough to accommodate the drywall screws. If mounting with bolts, drilling larger holes in the track is required.

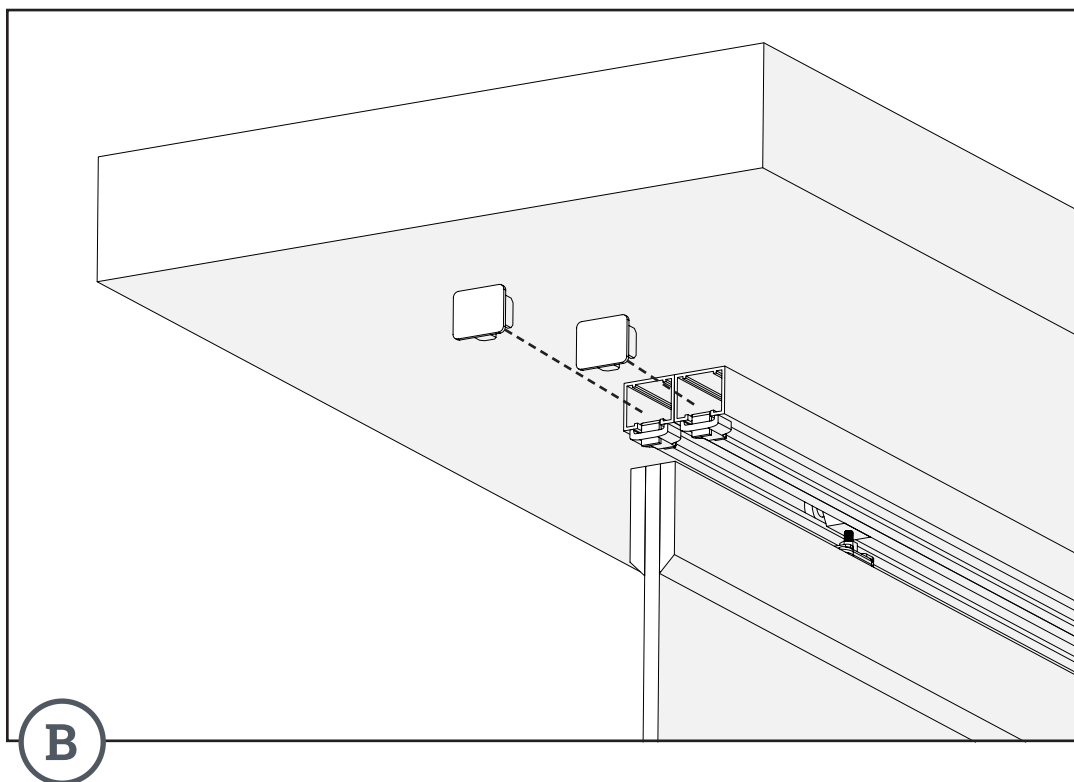
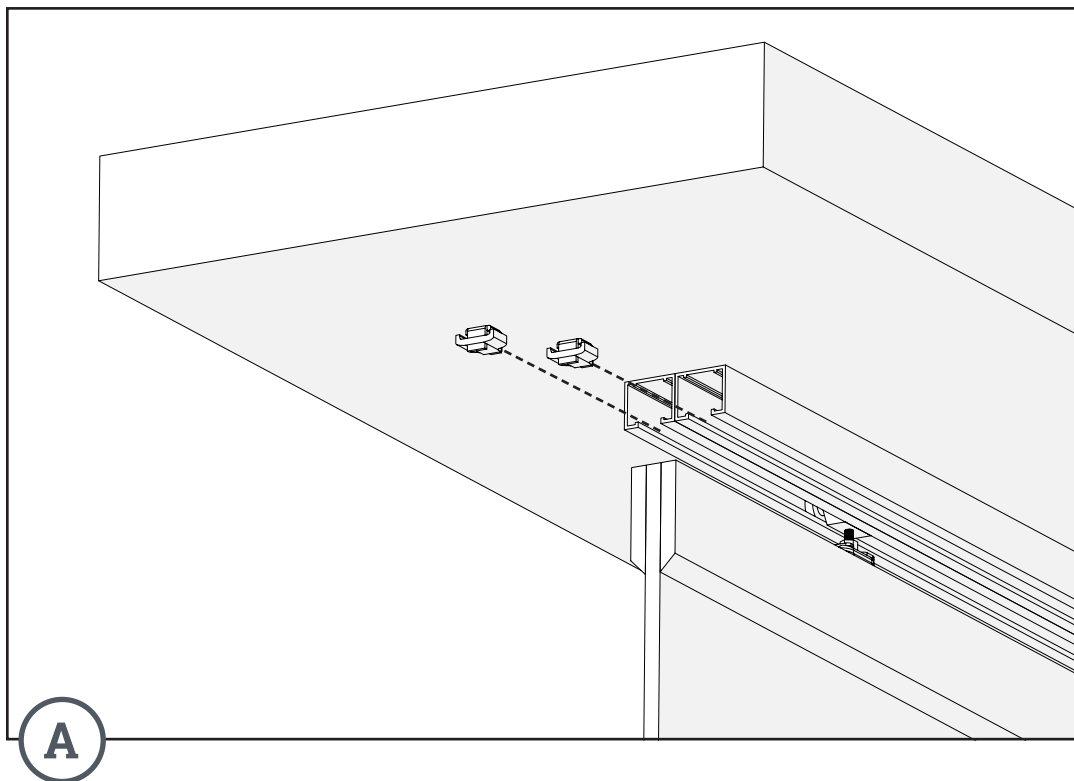
SLIDING PANEL: INSTALLATION INSTRUCTIONS

- Slide the assembled PANLs into the mounted track.



SLIDING PANEL: INSTALLATION INSTRUCTIONS

- 5** Insert the track stops firmly into the ends of each track, then secure all 4 caps as shown below.



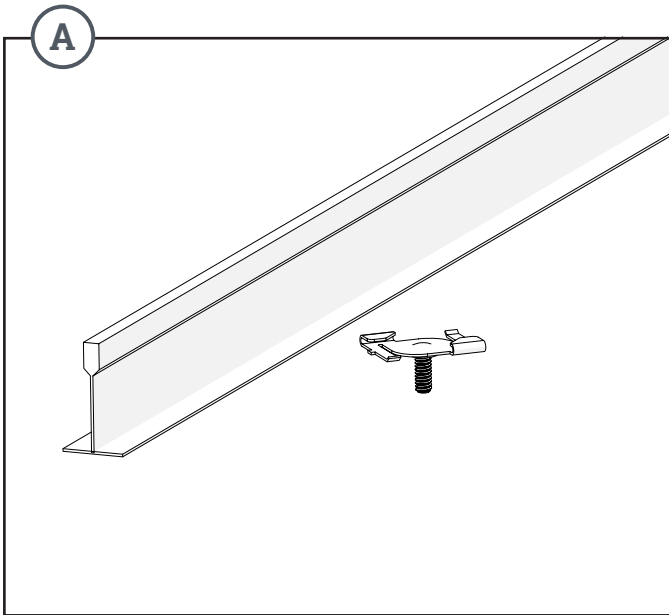
SLIDING PANL: INSTALLATION INSTRUCTIONS



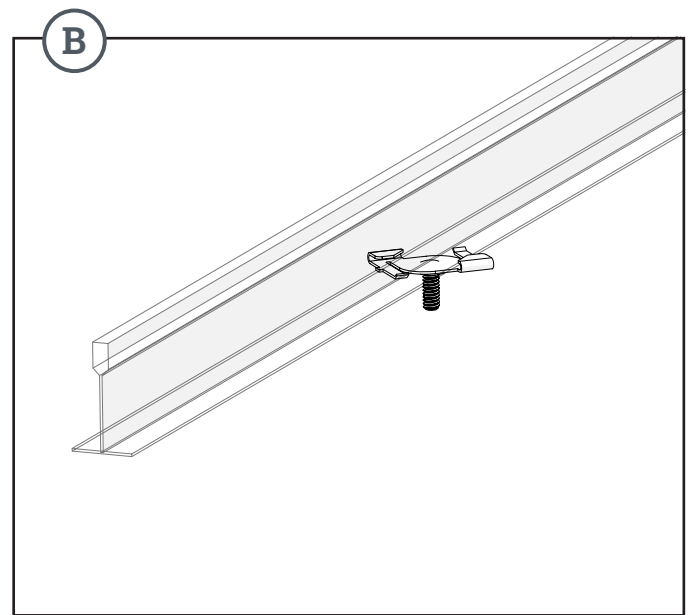
Installation complete.

SLIDING PANL: INSTALLATION INSTRUCTIONS

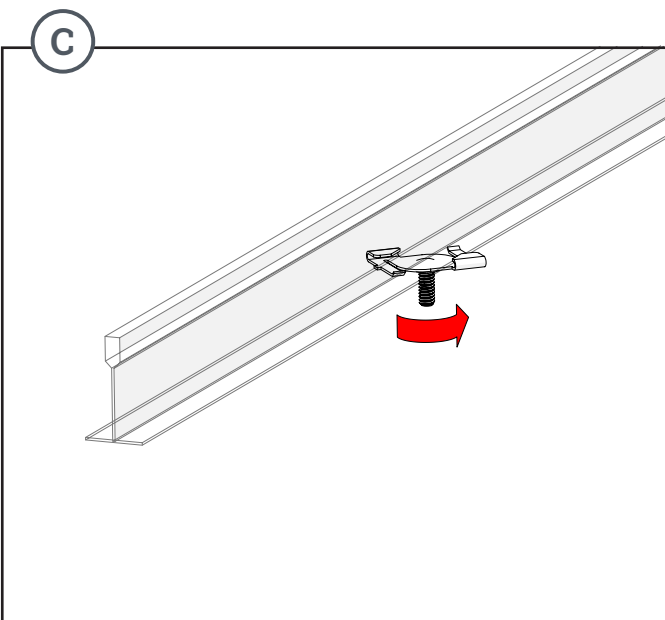
3 Install the Caddy clips onto the T-Grid:



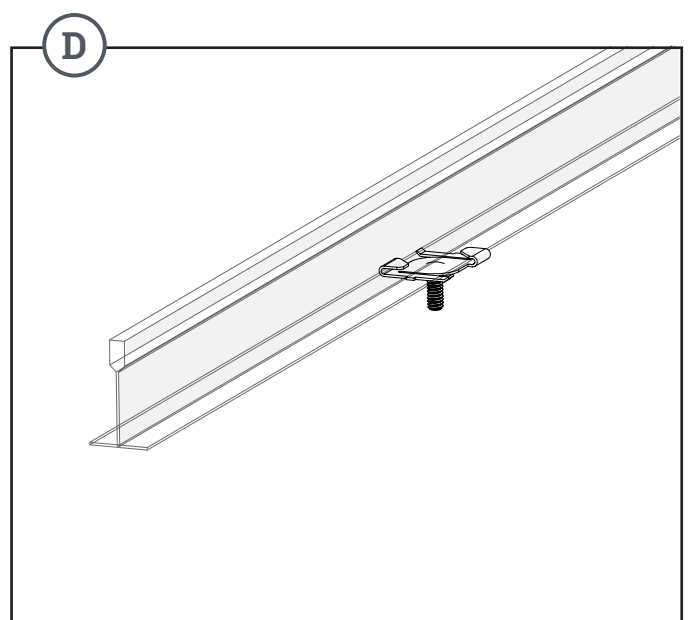
Orient the Caddy clip at a 45deg angle to the bar stock.



Press the clip against the track.



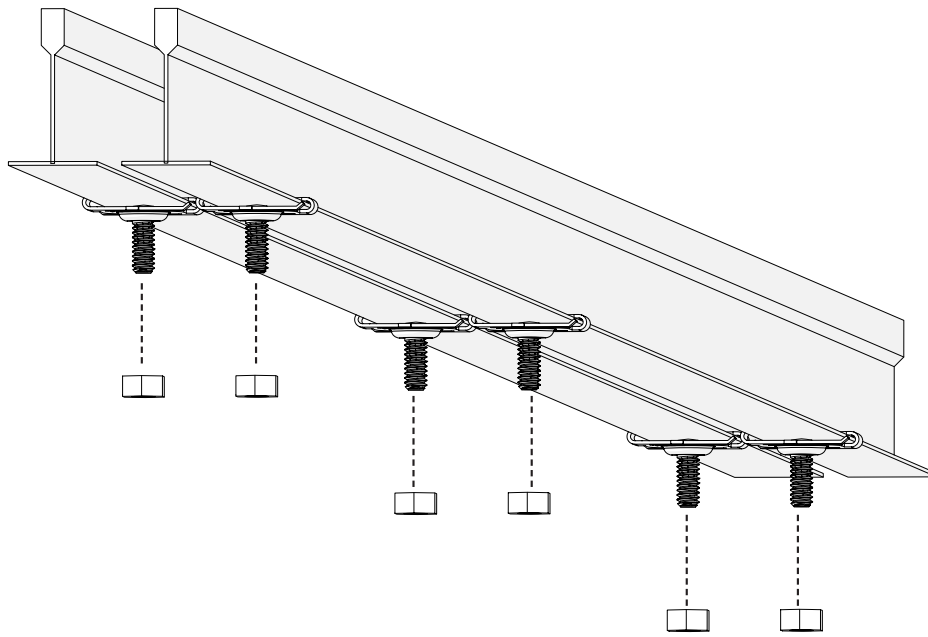
Rotate the clip clockwise to lock in place.



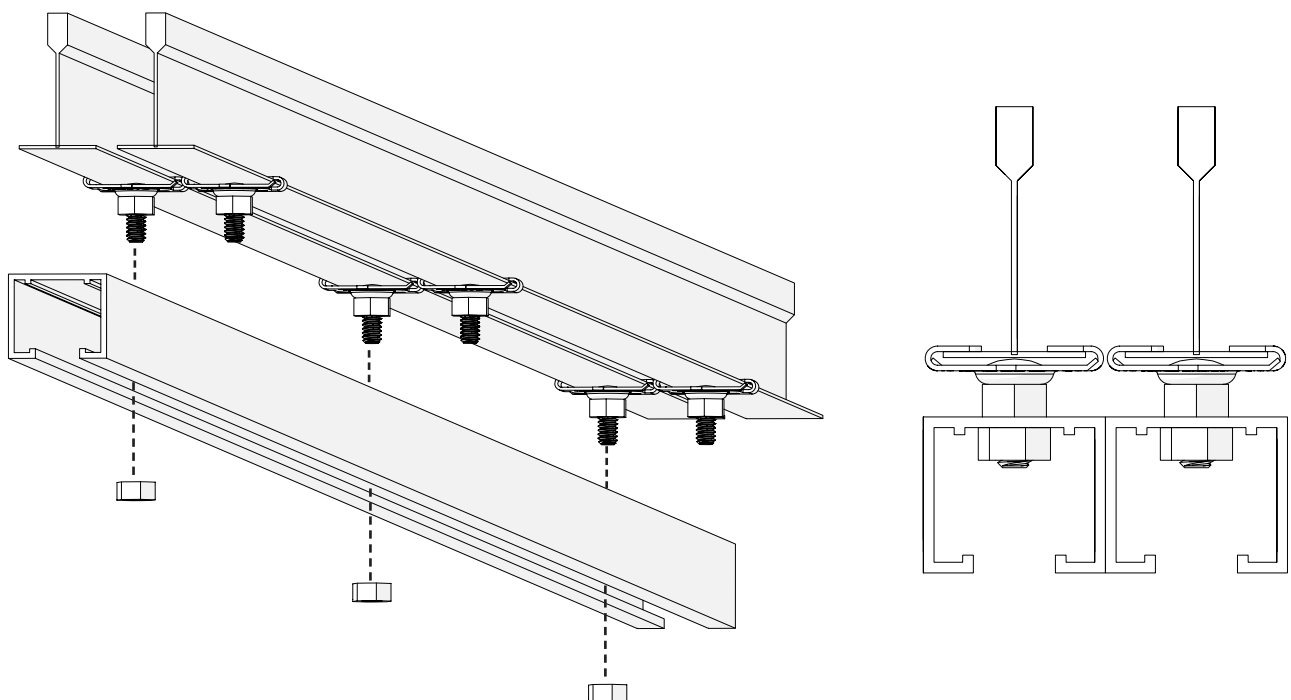
Ensure the clip is locked firmly in place. Rotate the clip counter-clockwise to unlock and adjust its position.

SLIDING PANL: INSTALLATION INSTRUCTIONS

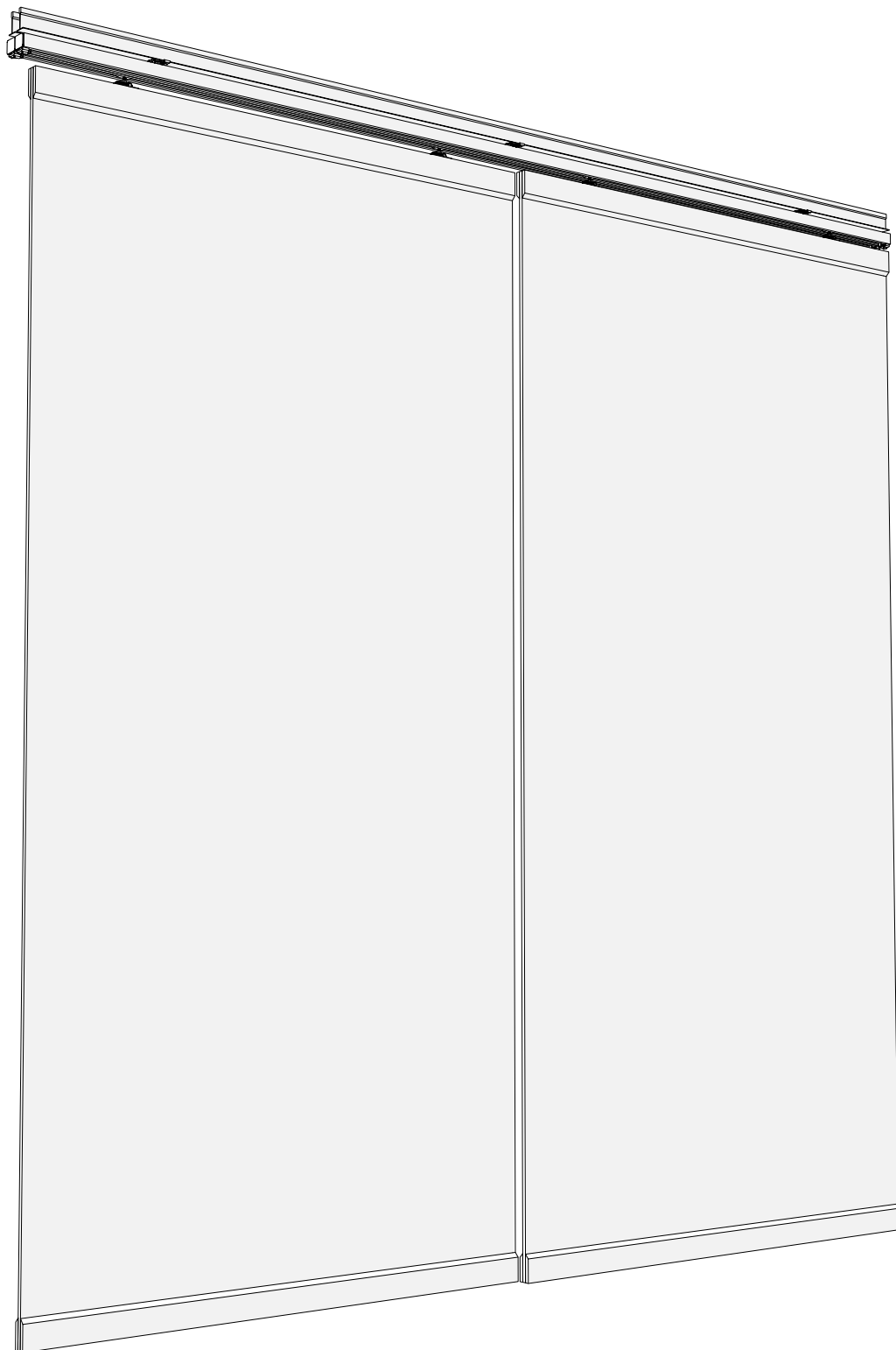
- 4** When all 6 clips are installed, screw a hex nut onto each Caddy clip posts.



- 5** Install the sliding tracks and secure them with an additional hex nut. **Drilling larger holes in the sliding tracks is required.**



SLIDING PANEL: INSTALLATION INSTRUCTIONS



Installation complete.