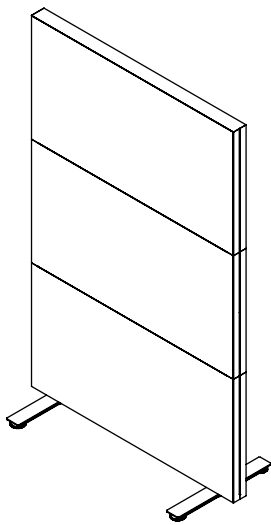


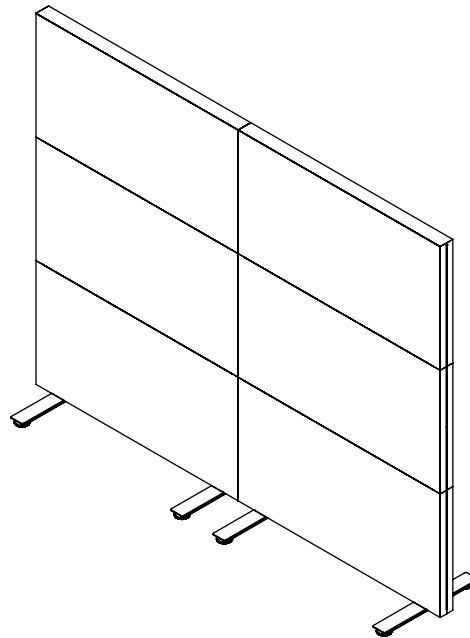
SÖFWAL INSTALLATION

BLOK, T-BLOCK & BLOK EXTENDER

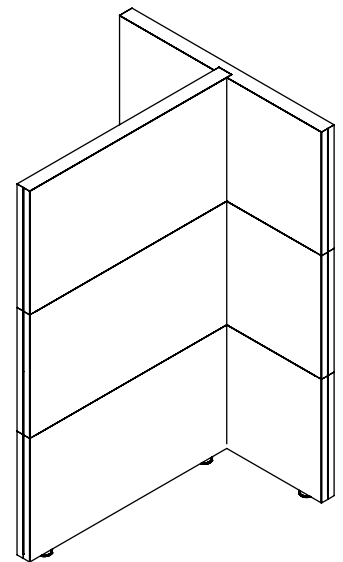
SÖFWAL provides privacy and separation in shared spaces and open floorplans. It features a hollow design for optimal sound absorption and our patent pending Conecta proprietary hardware technology for easy assembly. Its invisible frame and sturdy base are substantial enough to center this in a space as a permanent divider, yet lightweight enough to make this a modular solution, if preferred. What's more—it ships knock-down and flat, requiring minimal assembly. Sofwal modular compatibility allows for 3 different design configurations:



Sofwal Blok



Sofwal Blok Extension



Sofwal T-Blok

Tools You Will Need



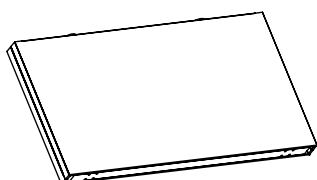
5/32" Hex Key

SÖFWAL INSTALLATION

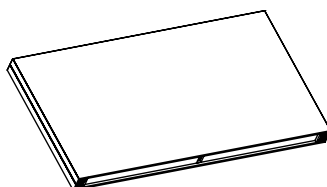
BLOK, T-BLOCK & BLOK EXTENDER

SÖFWAL Blok & SÖFWAL Extension Included Components

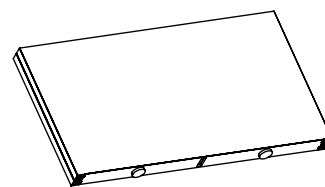
NOTE: Included hardware types and quantities will differ depending on model variant and design configuration.



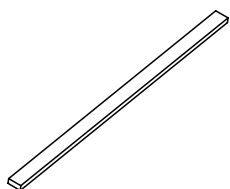
[x1] Sofwal Bottom Panel



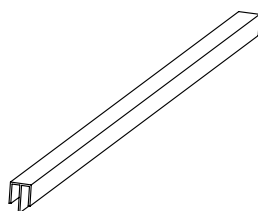
[x1] Sofwal Middle Panel



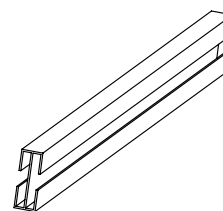
[x1] Sofwal Top Panel



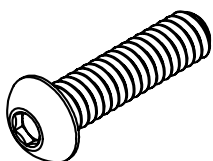
[x1] Poplar Spine



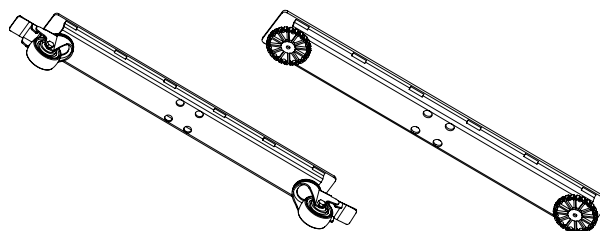
[x4] 1-way Connector



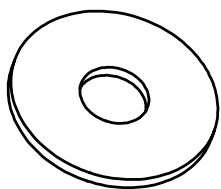
[x1] 2-Way Connector [Extension Only]



[x8] 1/4"-20" x 1" Hex Bolt



[x2] 50mm caster or Glider w/ H-foot



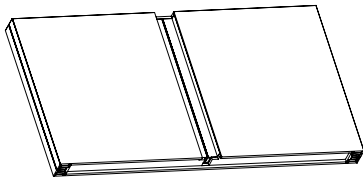
[x8] 1/4"-20 x .75" Washer

SÖFWAL INSTALLATION

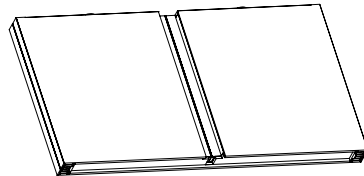
BLOK, T-BLOCK & BLOK EXTENDER

SÖFWAL T-Blok Included Components and Hardware

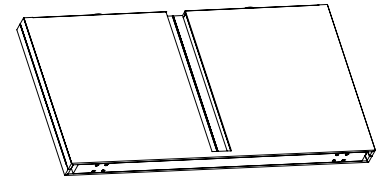
Note: Included hardware types and quantities will differ depending on model variant and design configuration



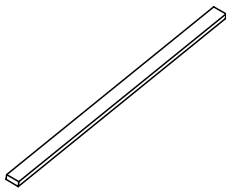
[x1] T-Blok Top Panel



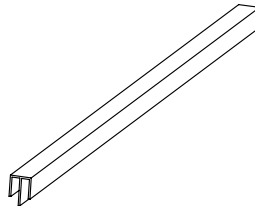
[x1] T-Blok Middle Panel



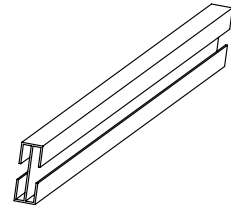
[x1] T-Blok Bottom Panel



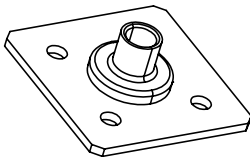
[x1] Poplar Spine



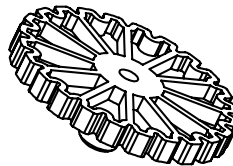
[x4] 1-way Connector



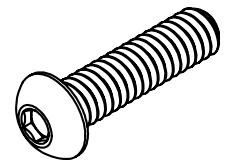
[x2] 2-Way Connector



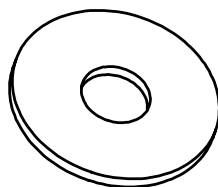
[x4] Foot Spacer Plate [Optional]



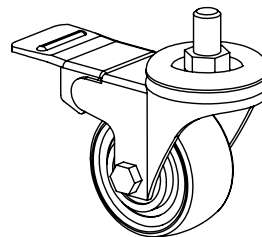
[x1] Glider Foot [Optional]



[x16] 1/4-20" x 1" Hex Bolt



[x16] 1/4-20" x .75" Washer

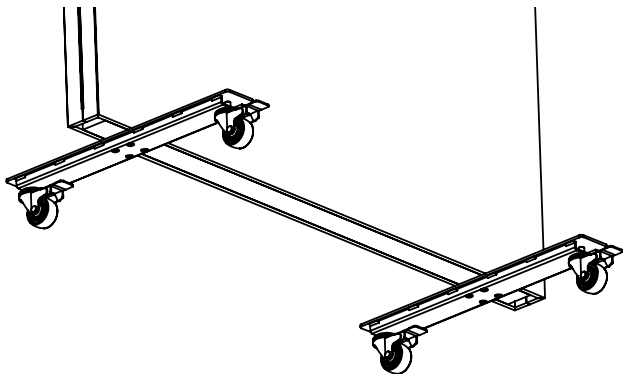


[x4] 50mm Caster [Optional]

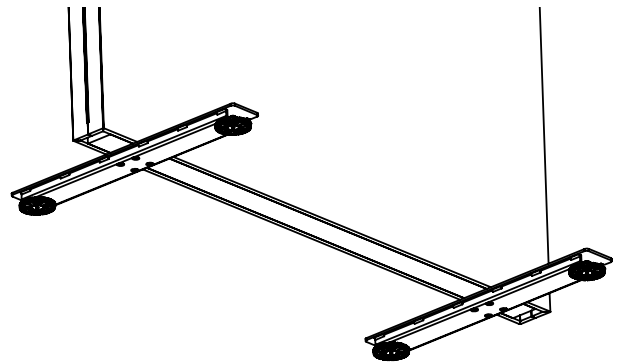
SÖFWAL INSTALLATION

BLOK, T-BLOCK & BLOK EXTENDER

SÖFWAL Blok & Sofwal Extended Hardware Configurations

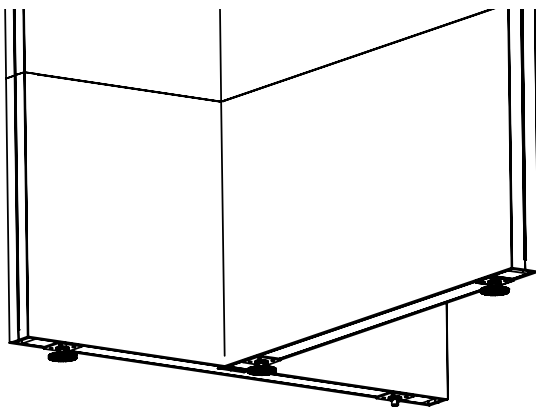


50mm Caster w/ H-Foot

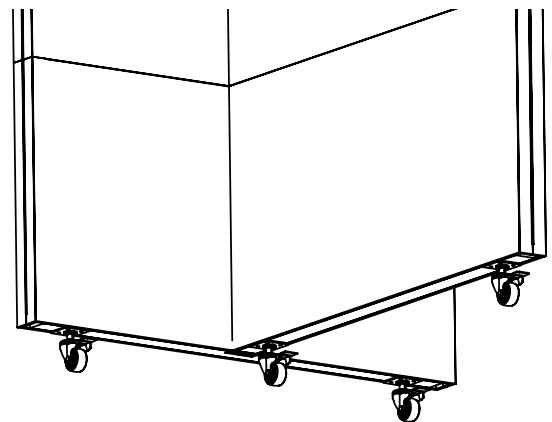


Glider w/ H-foot

T-Block Hardware Configurations



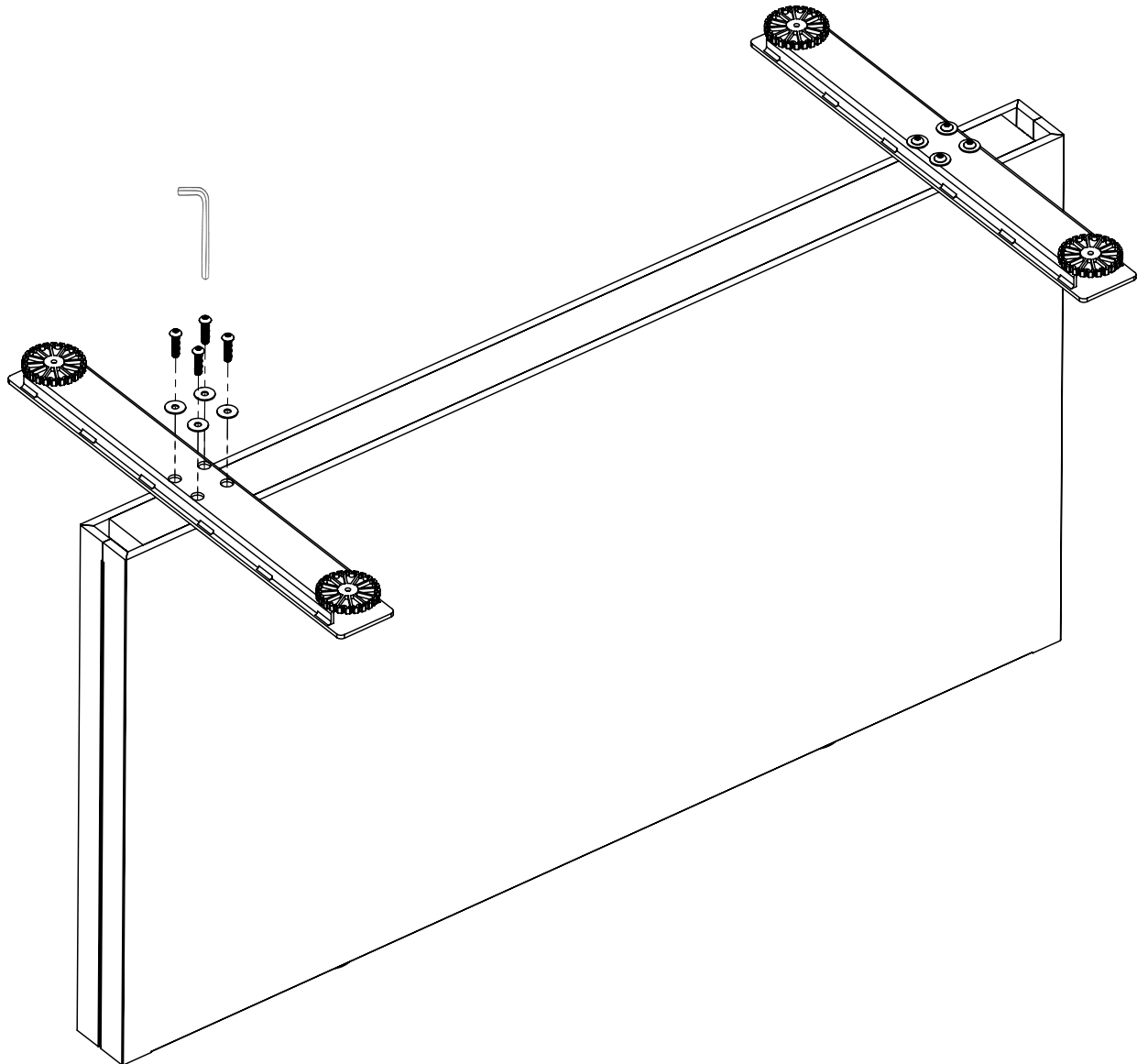
Glider



50mm Caster

SÖFWAL INSTALLATION

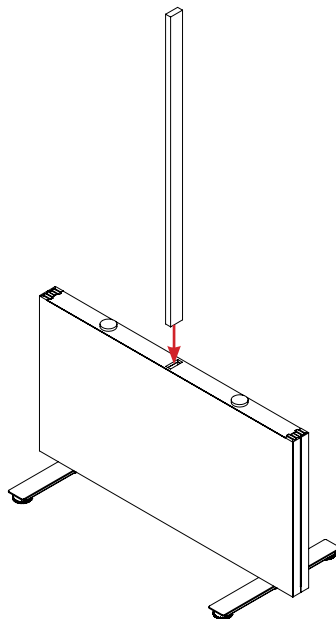
BLOK, T-BLOCK & BLOK EXTENDER



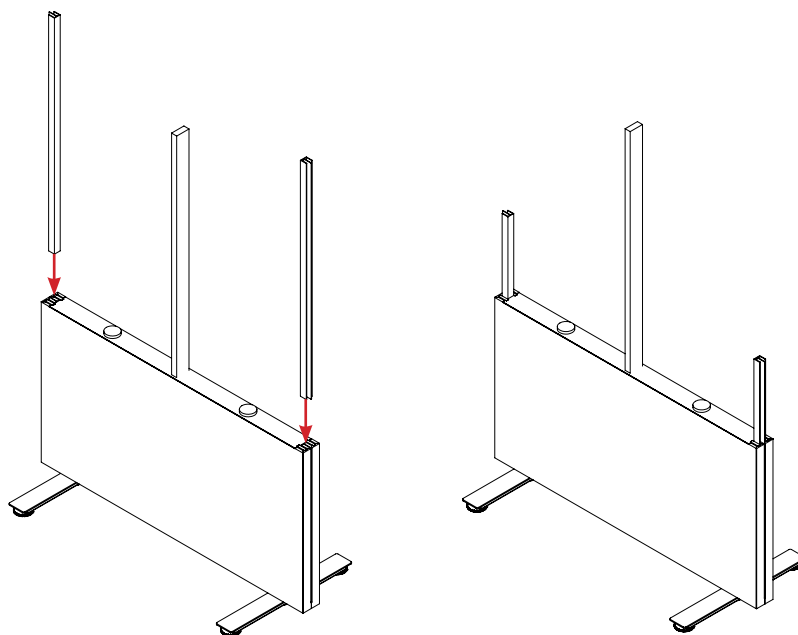
Step 1a: Install the foot hardware on the bottom panel according to your preferred configuration or model variant. See page 04 for compatible foot hardware based on your model.

SÖFWAL INSTALLATION

BLOK, T-BLOCK & BLOK EXTENDER



Step 2a: Slide the poplar spine into the center slot of the bottom panel.

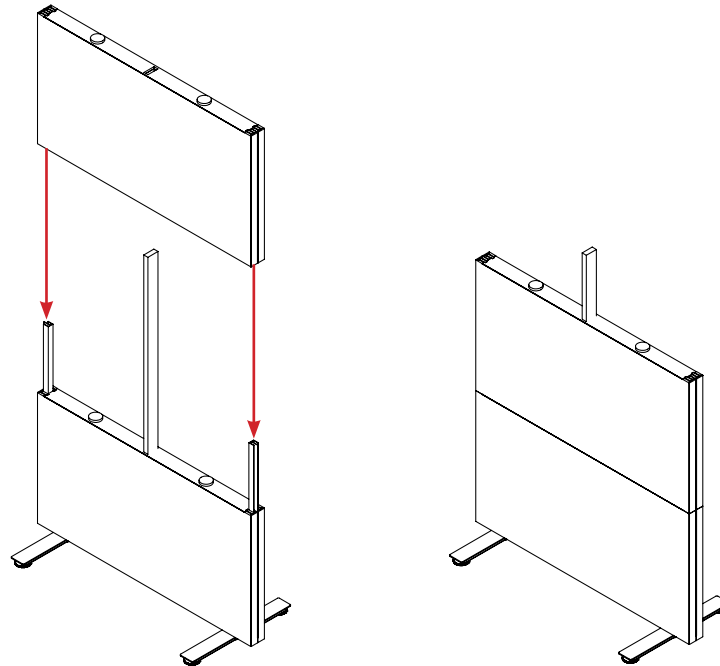


Step 3a: Slide (x2) 1-way connectors into the slots of the panel.

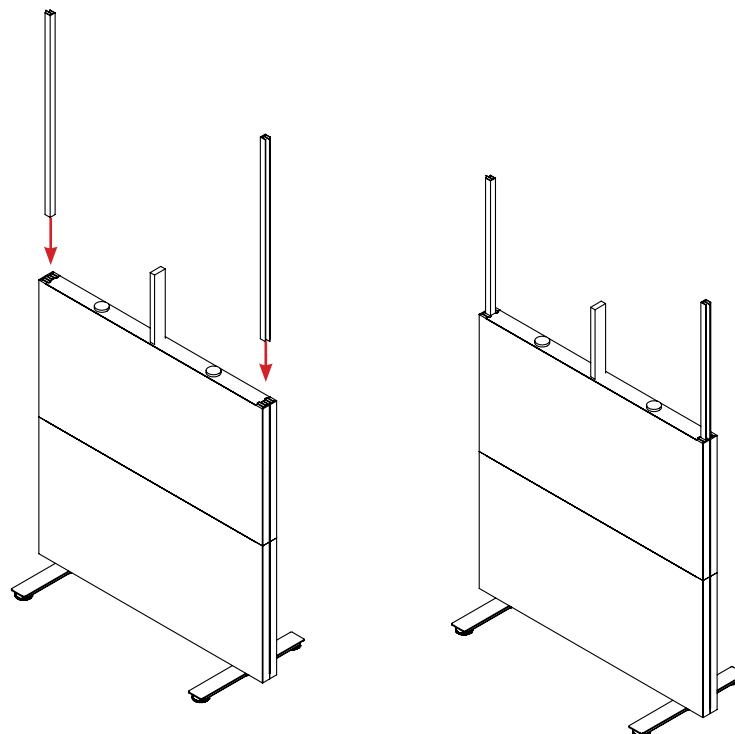
Note: This step only applies to Sofwal Block as a single unit. If you are assembling for extended units or T-Blok, replace one of the 1-way connectors with a 2-way (see step 3b).

SÖFWAL INSTALLATION

BLOK, T-BLOCK & BLOK EXTENDER



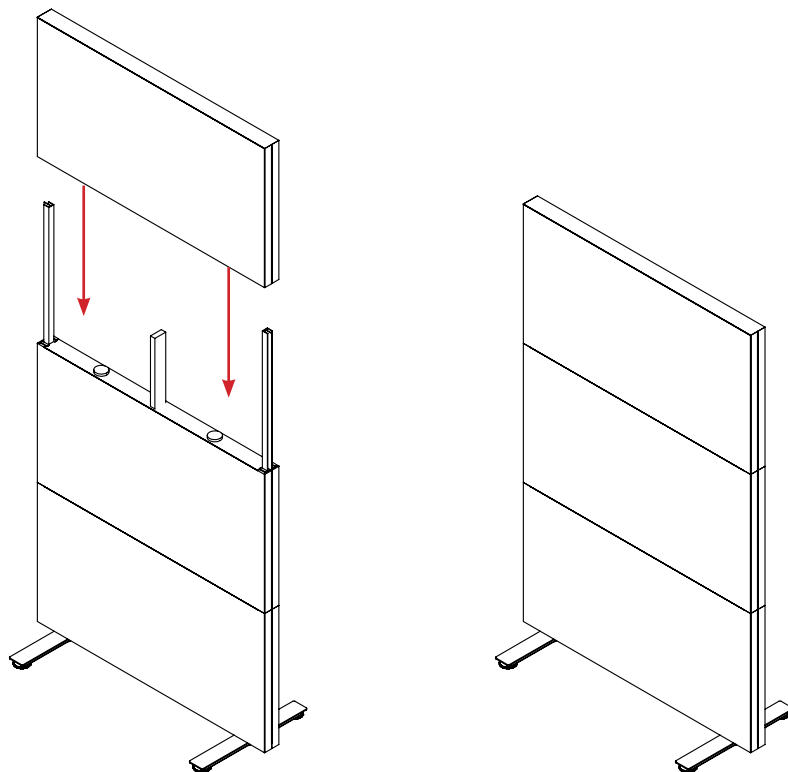
Step 4a: Slide the middle panel over the connectors and spine.



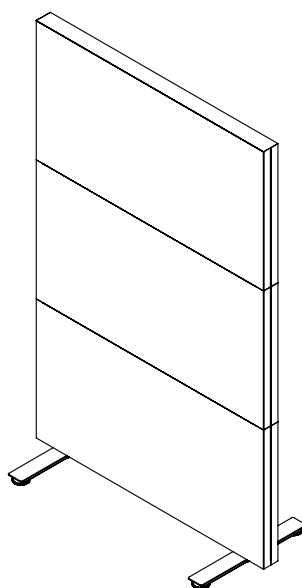
Step 5a: Slide (x2) 1-way connectors into the middle panel.

SÖFWAL INSTALLATION

BLOK, T-BLOCK & BLOK EXTENDER



Step 6a: Slide the top panel over the spine and connector.

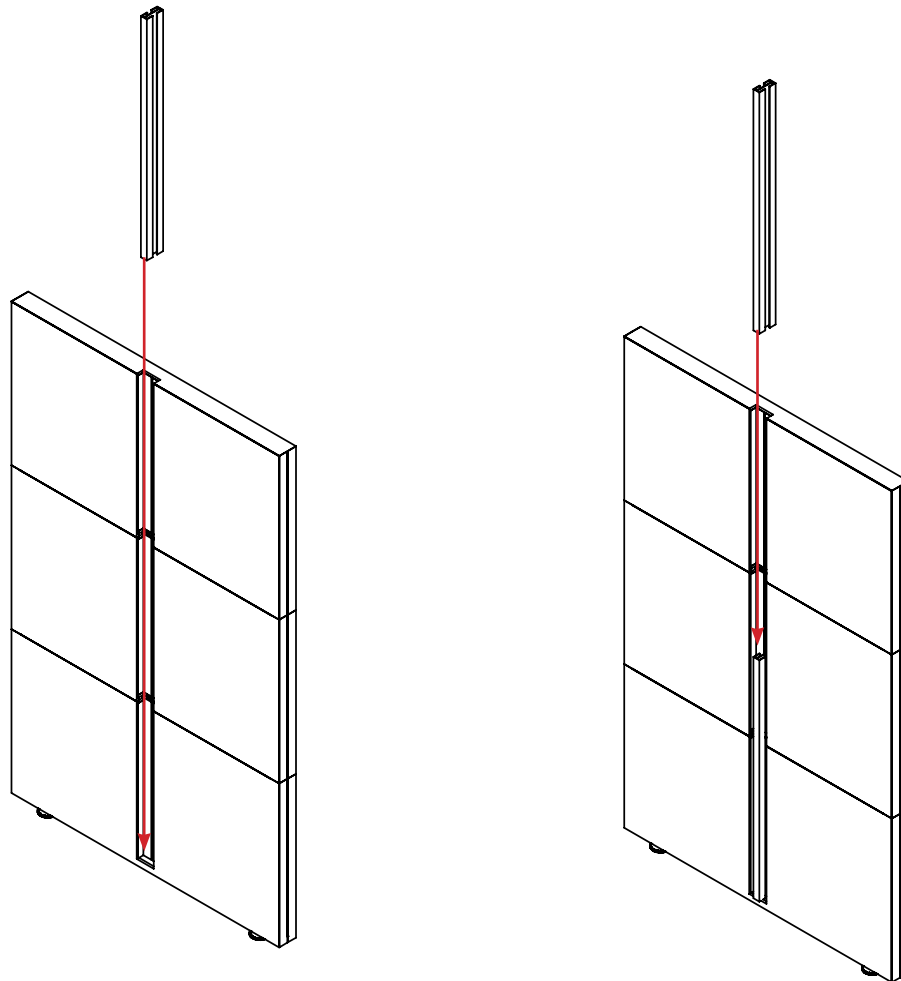


Installation complete.

SÖFWAL INSTALLATION

BLOK, T-BLOCK & BLOK EXTENDER

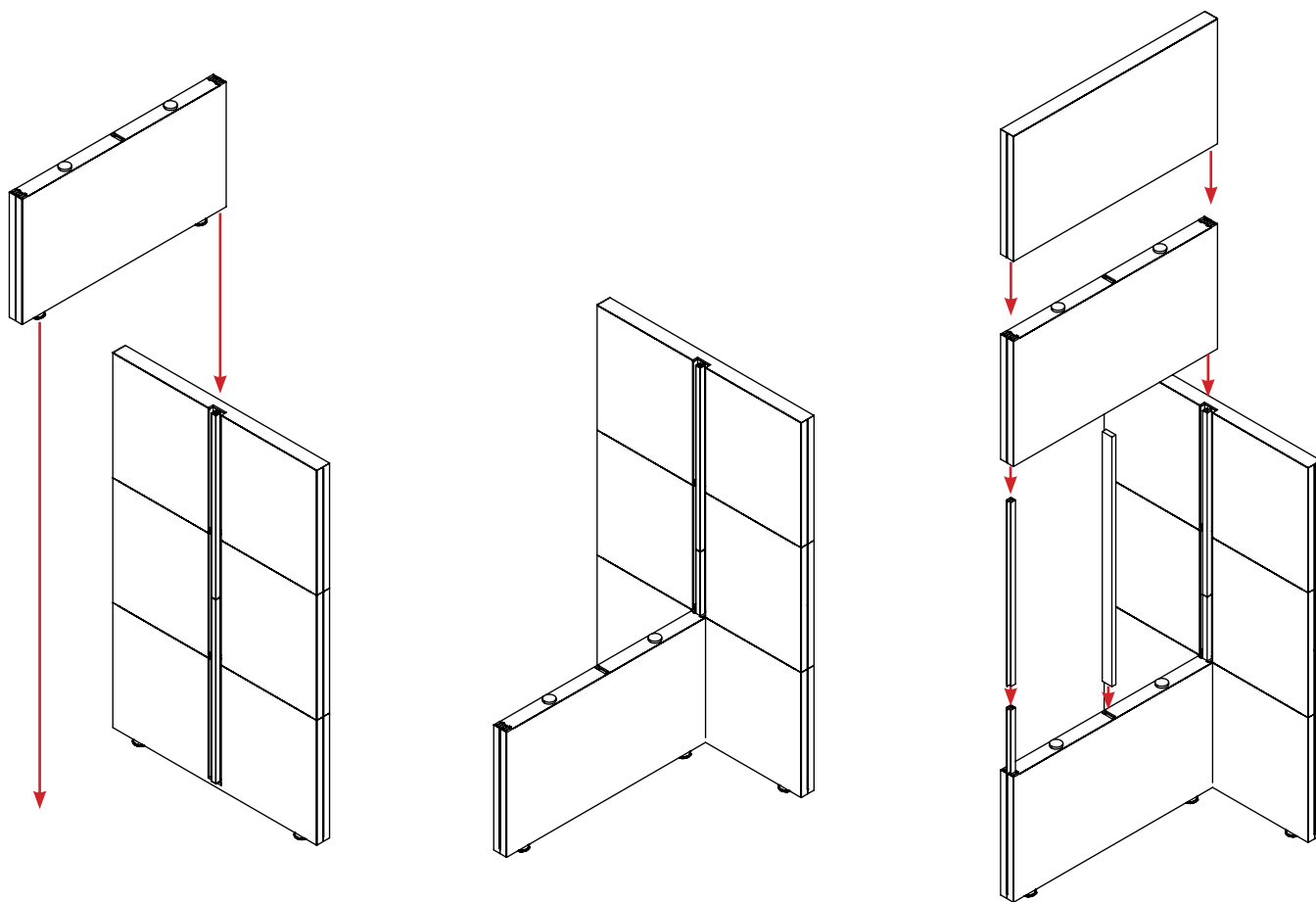
Sofwal T-block is a variant of Sofwal Block. Each panel features a middle channel to fit a 2-way connector, as shown below. Please follow steps 1a - 5a, and then return to this page to complete the steps unique to T-Block.



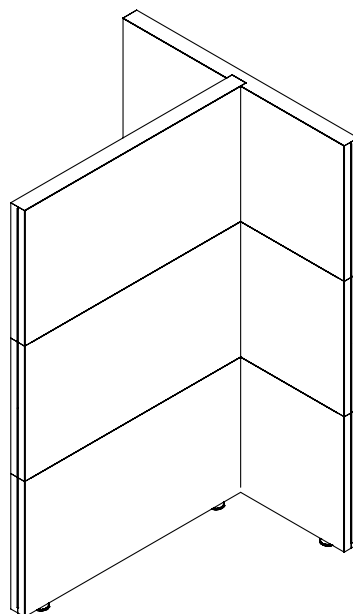
Step 1b: Slide the 2-way connectors down the center channel until it is flush with the top edge of the top panel.

SÖFWAL INSTALLATION

BLOK, T-BLOCK & BLOK EXTENDER



Step 2b: Follow steps 1a to 5a to assemble the Sofwal Blok to the T-Blok panel. Refer to page 04 for the proper foot hardware configuration.

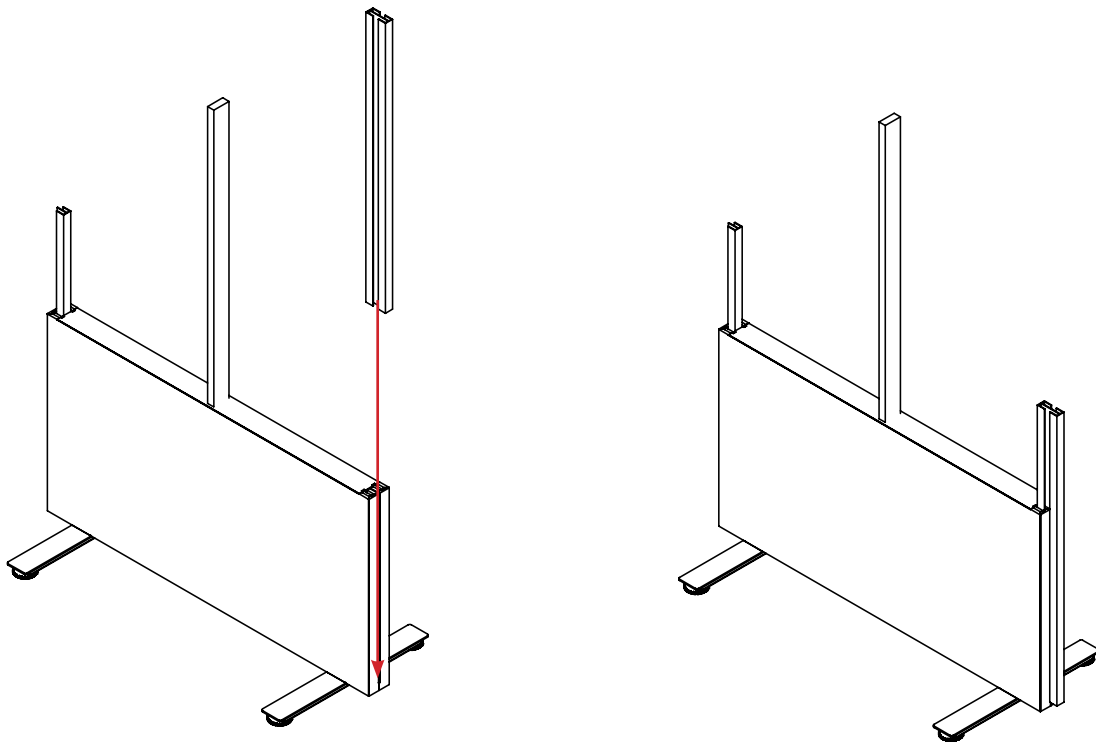


Installation complete.

SÖFWAL INSTALLATION

BLOK, T-BLOCK & BLOK EXTENDER

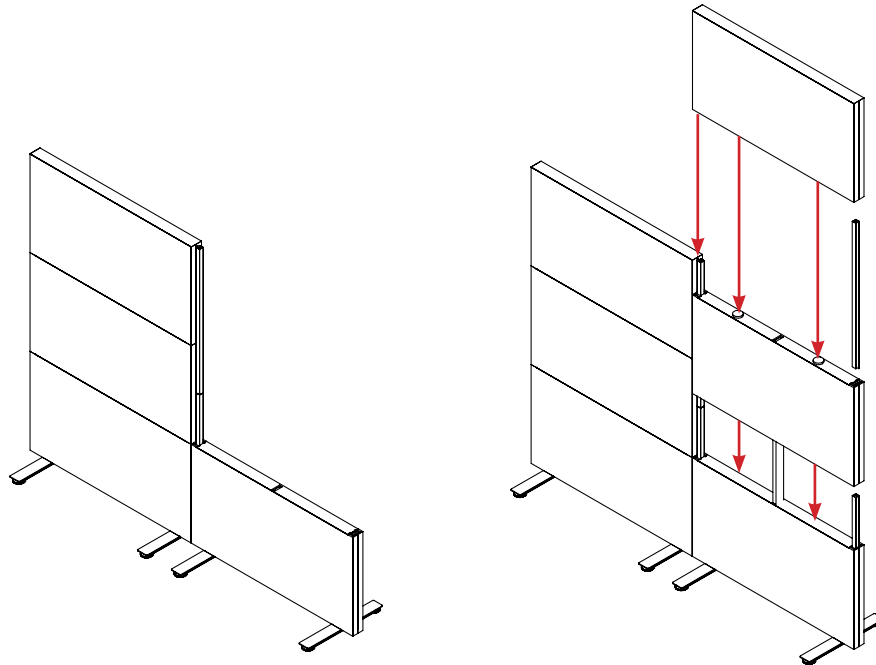
Söfwal Bloks can be extended in a modular fashion using a 2-way connector in place of the standard 1-way on the joining edge of the unit.



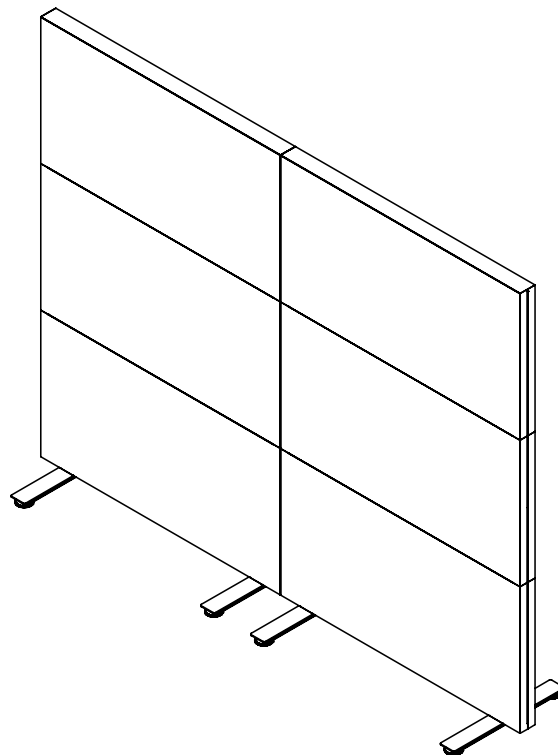
Step 3b: Complete steps 1a & 2a, then insert the 2-way connector as shown above.

SÖFWAL INSTALLATION

BLOK, T-BLOCK & BLOK EXTENDER



Step 1c. Follow steps 2a to 5a using 2-way connectors on the joining edge to complete the extension installation.



Installation complete.