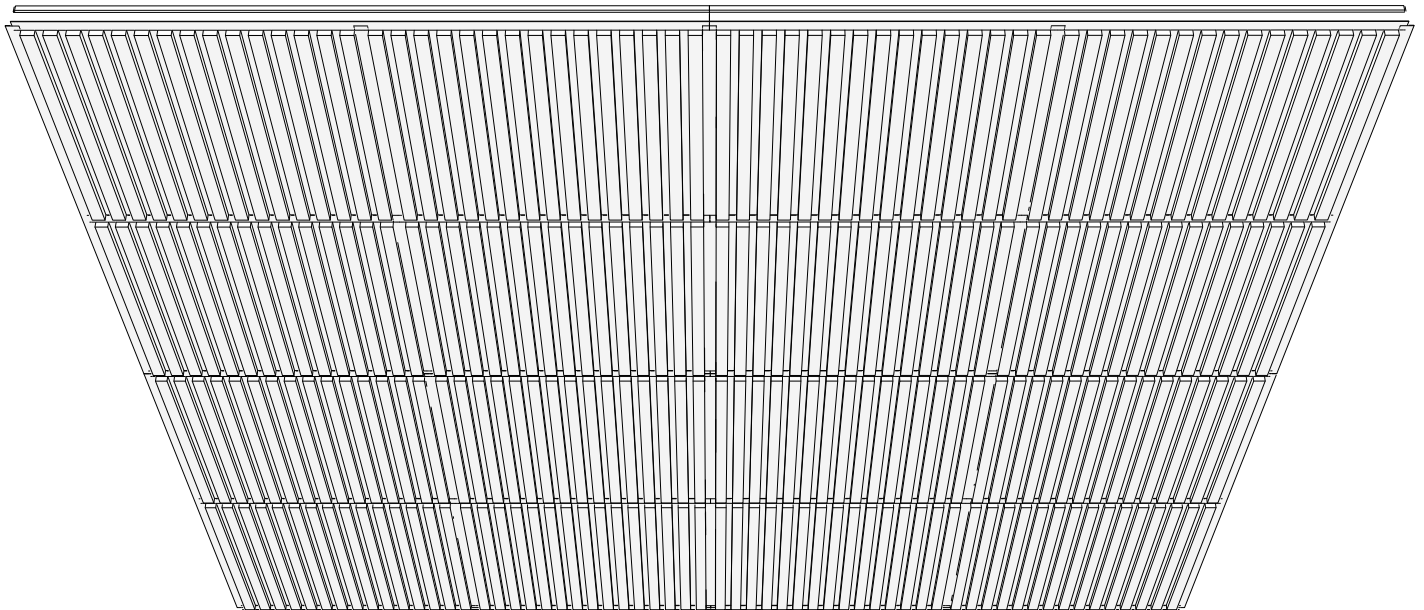


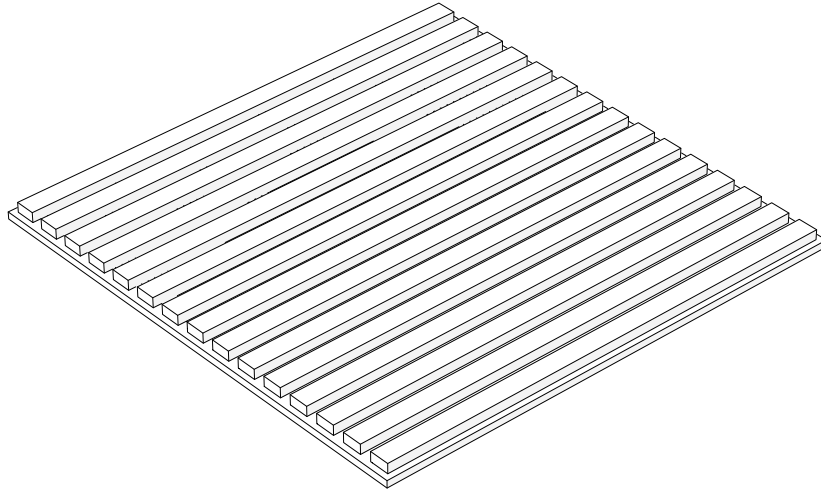
# STRATAWOOD 2X2

## INSTALLATION INSTRUCTIONS



## STRATAWOOD 2X2: INCLUDED COMPONENTS

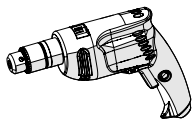
*Quantities dependent on order specifications.*



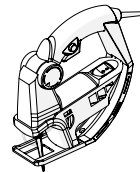
STRATAWOOD 2X2 Panel

### OPTIONAL TOOLS

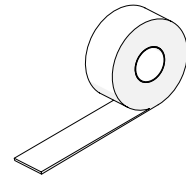
*Tools needed will depend on site conditions and obstacles.*



Drill with Hole Saw



Jig Saw

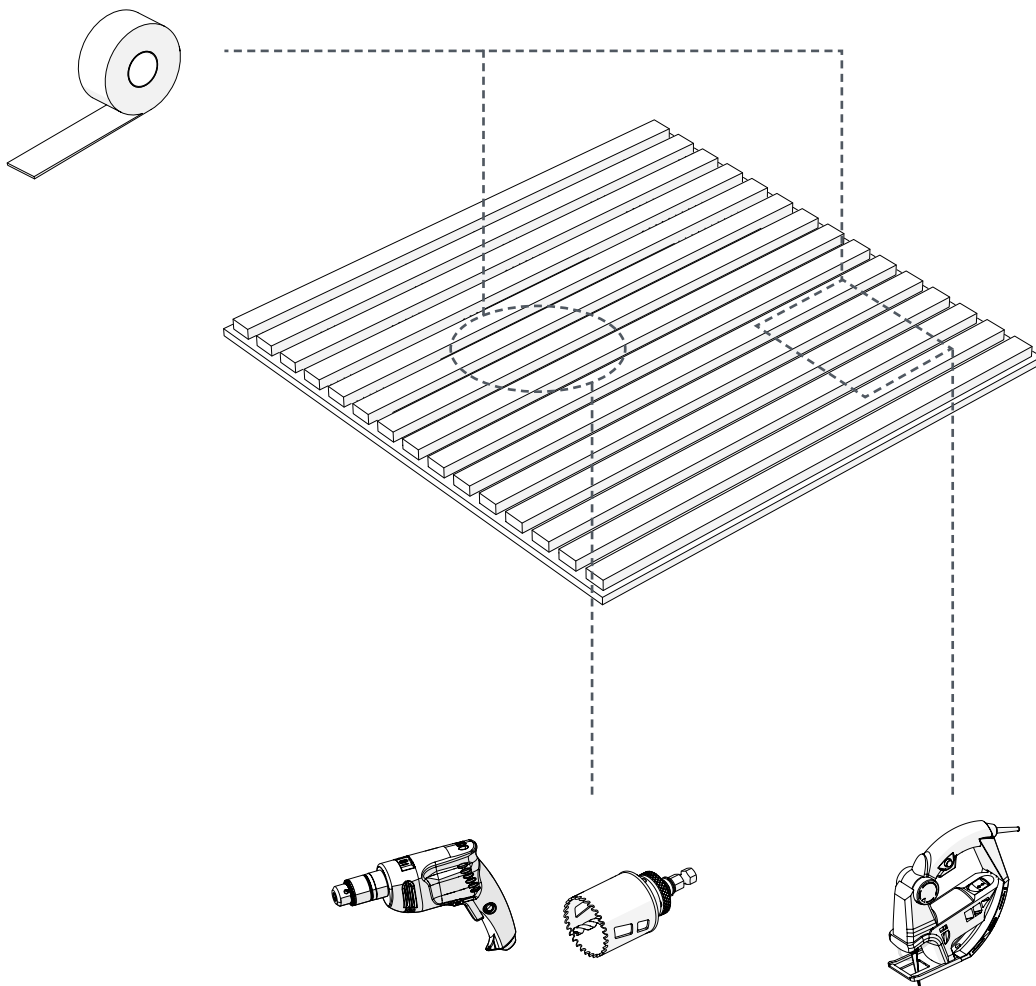


Masking Tape

## STRATAWOOD 2X2

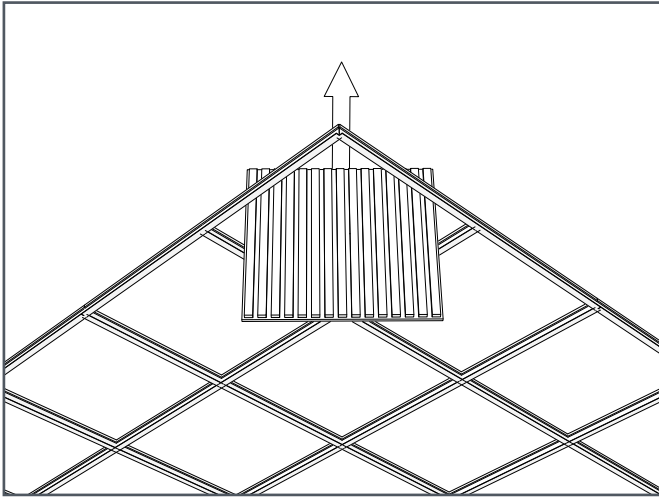
STRATAWOOD 2X2 Panels can be cut to fit around obstacles in the ceiling, such as light fixtures and sprinkler heads.

Mark all areas to be cut out, and mask them with masking tape to prevent chipping of the veneer. Areas can now be cut with the appropriate tool.

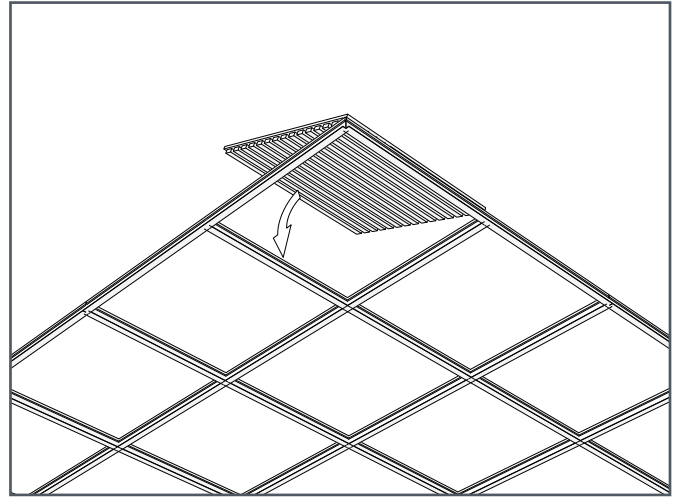


## STRATAWOOD 2X2: INSTALLATION INSTRUCTIONS

1

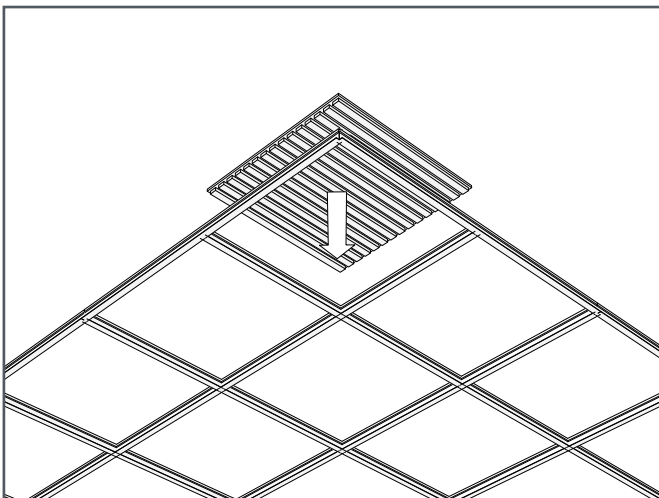


2

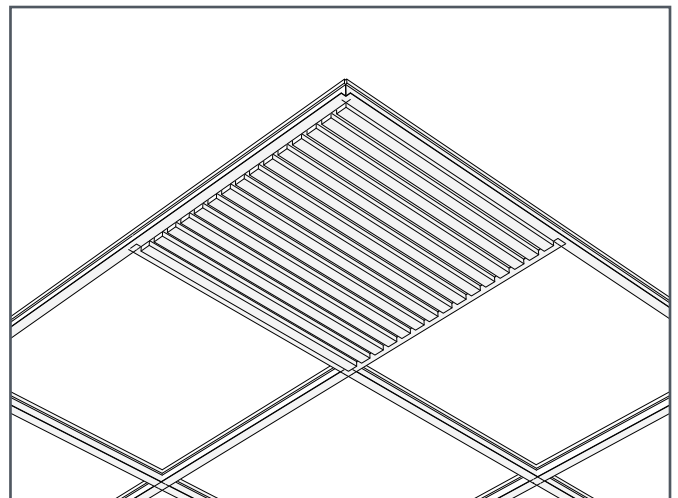


Insert the panel into the existing T-Grid cell at a diagonal angle. With the panel on top of the T-Grid, rotate it into alignment with the T-Grid opening.

3



4

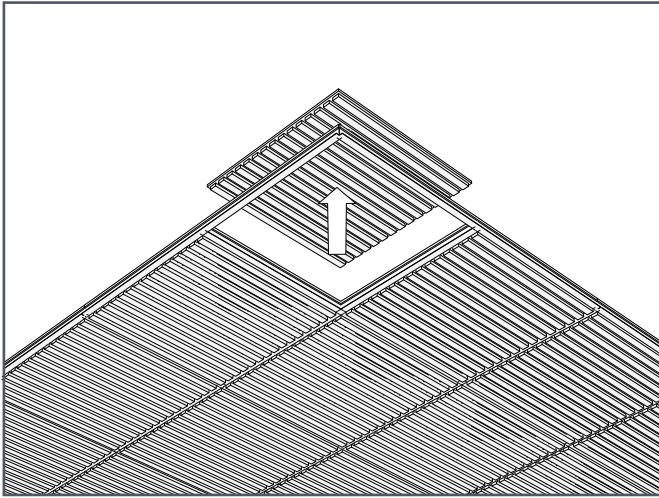


Drop the STRATAWOOD 2X2 panel into the T-Grid, and ensure it is secure. Repeat for the adjacent panels.

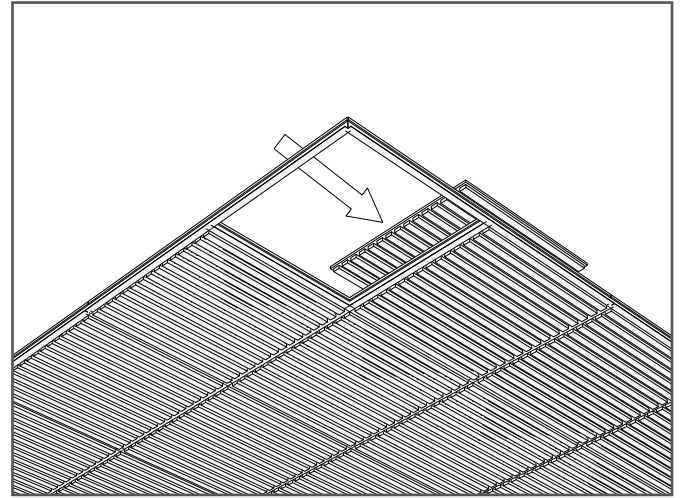
## Installation Complete.

## STRATAWOOD 2X2: ACCESS PANEL INSTRUCTIONS

1



2



STRATAWOOD 2X2 can act as an access panel. Push up on the panel and push it over the top of the T-grid to access the space above the T-grid ceiling. Reverse the process to reinstall the panel.