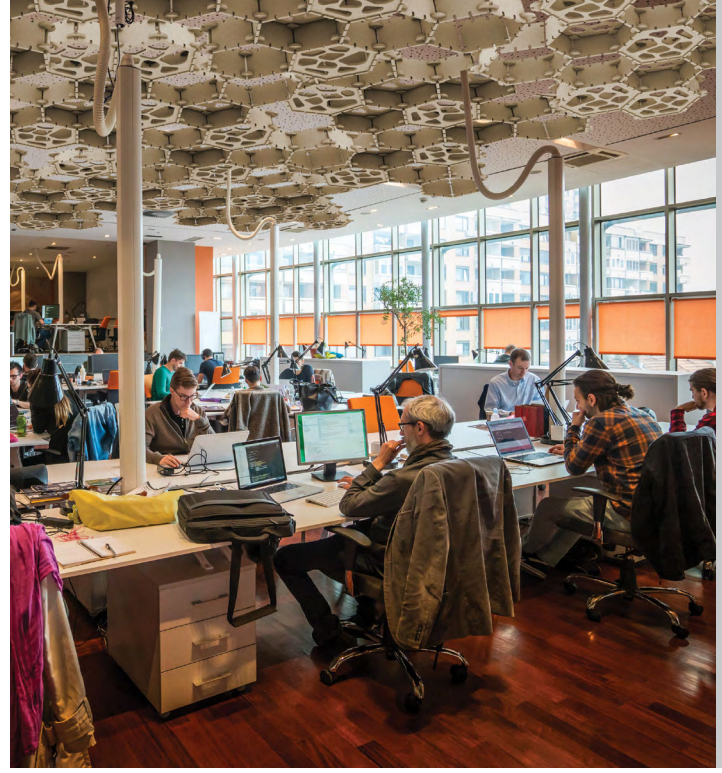




POLLEN

Fräsch was founded on the belief that creating healthy and beautiful office environments leads to a happier and highly motivated workforce.



POLLEN

Suspended Acoustic System

Whether creating suspended homogeneous planes or multiple depths of field this geometrically inspired, modular system will entice the most creative curiosity into the design of large volumes of space where superior acoustic considerations are essential.

With the potential of customised horizontal volume and colour configurations the system can be integrated into pre or post design scenarios elevating ceiling design literally to another dimension.

In the evolution of architectural design, acoustics are now seamlessly woven into the DNA of HIVE offering an holistic solution within the realm of trendy modern design and development of spaces.

Application Ceiling Suspended

Components Single Pollen: 38" L x 34" W x 9.5" H

Coverage
Covers approx. 7 sq feet when sold as a single Pollen

Material Content 9 mm 100% PET (55% recycled content)

Flammability ASTM E84 Class A or B

Acoustics

NRC 0.35 0.54 0.85 1.22 0.75

NRC rating is based on one full sheet of 9mm PET material

Environment Low VOC;
Post-Consumer Recycled Content
100% Recyclable

Installation

Product is assembled by customer using built in friction slots. Hardware for mounting to the ceiling will utilize our spike bracket, griplock, and aircraft cable mounting method.

Hardware Spike bracket, griplock, and aircraft cable mounting method.

Country of Origin USA

Warranty 2 Years

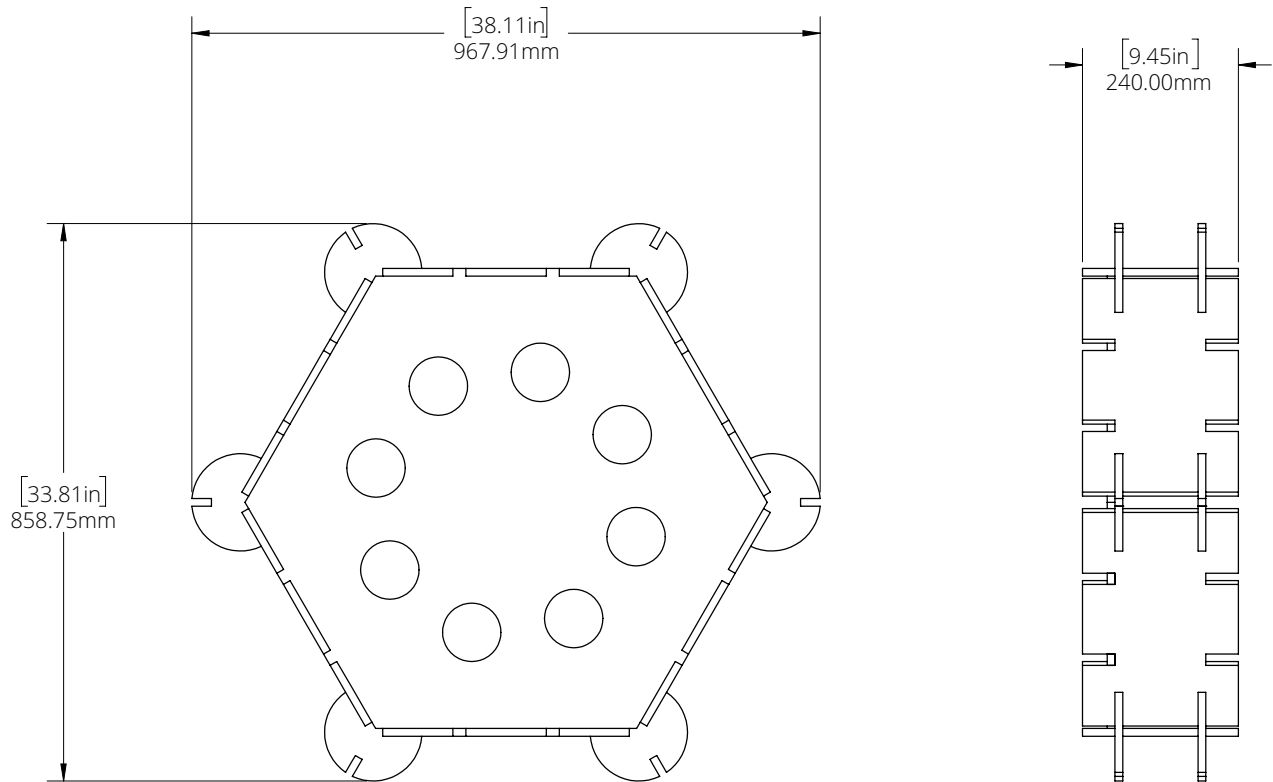
Designed by
1six8

fräsch!

609 112th Street, Suite A
Arlington, TX 76011

POLLEN

Dimensions



* Two-year limited warranty guarantees all of our products are free from defects in the materials and maintain their quality of craftsmanship. See our two-year warranty sheet for full details.