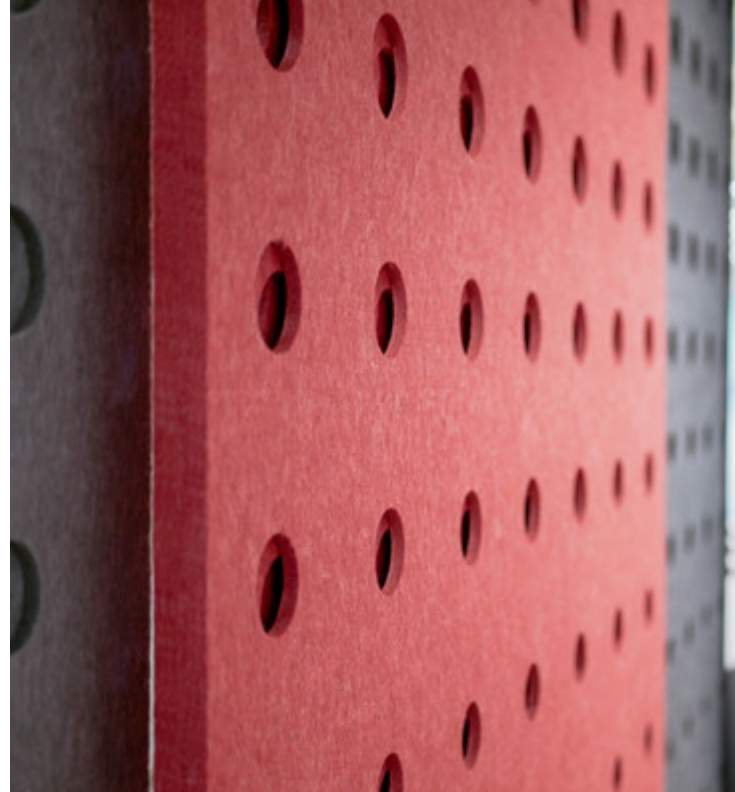




PANL

Frasch was founded on the belief that creating healthy and beautiful office environments leads to a happier and highly motivated workforce.



PANL

Acoustical Panel/Screen

The PANL walls create a visual and acoustical division for your space. The pattern allows light to go through while providing an acoustical value and privacy. These free flowing screens are a fantastic way to divide a space, add acoustical properties, and allow for endless possibilities to personalize with perforation styles.

Made from Acoustical Felt (PET) for Maximum Sound Absorption

Fella Felt is Available in Many Colors

Screens Create Divisions and Privacy

Track System Included - Stationary or Moveable

Warranty *Limited 5 Years

Standard Sizes 4' x 8' 2' x 8'
4' x 6' 2' x 6'
+ Custom

Product Weight 8 Lbs.

Max Size 4' x 8'

Max Width 4'

Thickness 24mm, 9mm or 3mm

Country of Origin USA

Material Fella

Track Material Metal

Style Modern

Features

Assembled Dimensions

Product Build

3mm Fella Color Guide

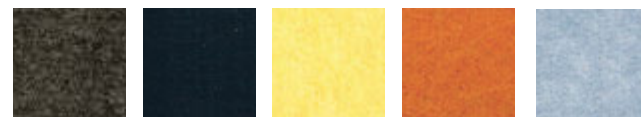


03-3 - Light Gray 17-3 - Dark Gray 06-3 - Caramel 13-3 - Candy Apple 14-3 - Cobalt 15-3 - Leaf

9mm Fella Color Guide



07 - White 18 - Artic Ice 03 - Light Gray 02 - Taupe 06 - City Brown



17 - Dark Gray 10 - True Black 22 - Yellow 41 - Marigold 30 - Blue



08 - Eggplant 19 - Denim 21 - Indigo Blue 09 - Deep Blue 05 - Grass



42 - Cream 45 - Big Red 44 - Ivory 11 - Steel 34 - Pure Gray

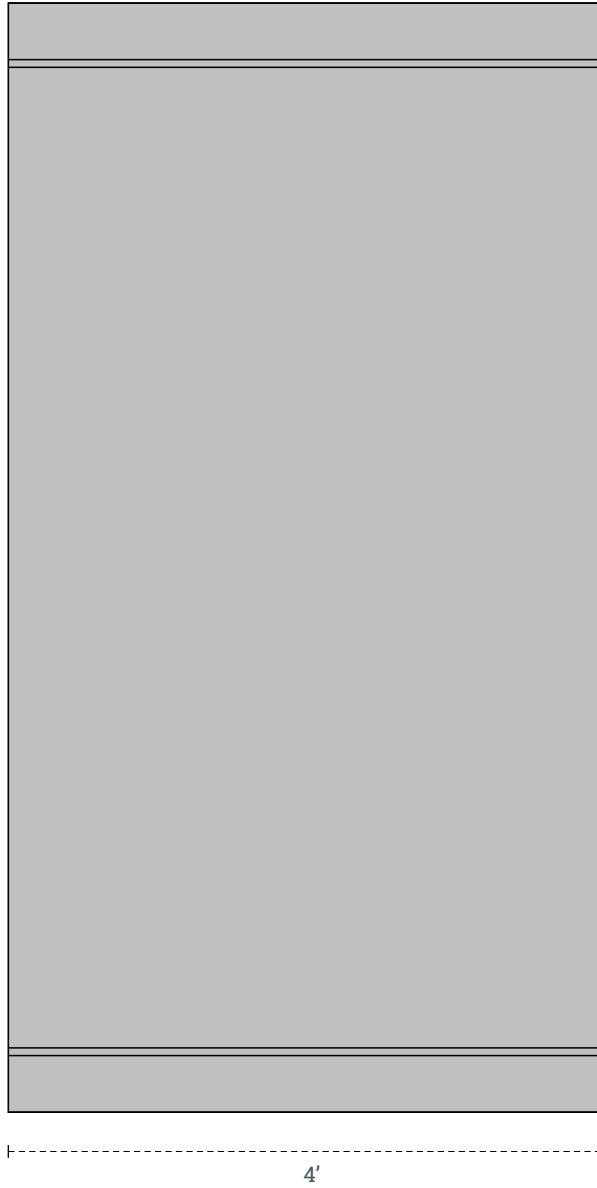


36 - Berry Red 43 - Lava 39 - Green Apple 12 - Moss

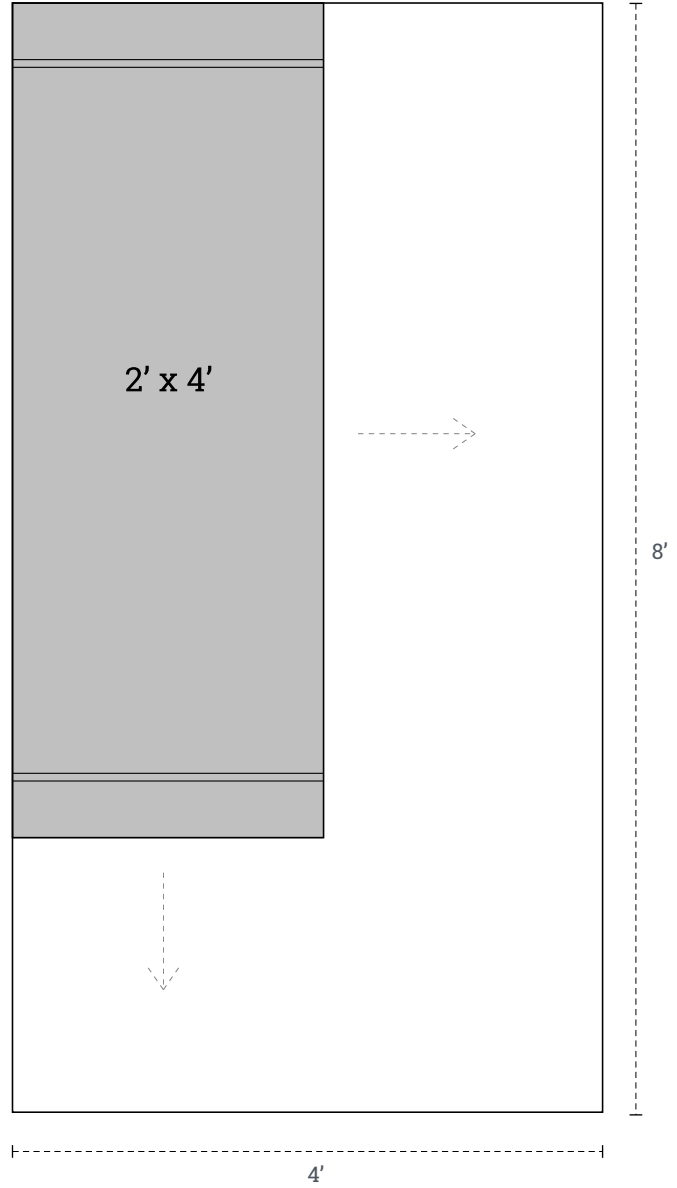
* Five-year limited warranty guarantees all of our products are free from defects in the materials and maintain its quality of craftsmanship. See our "Terms and Warranties" sheet for full details.

9mm PET Dimensions

Standard



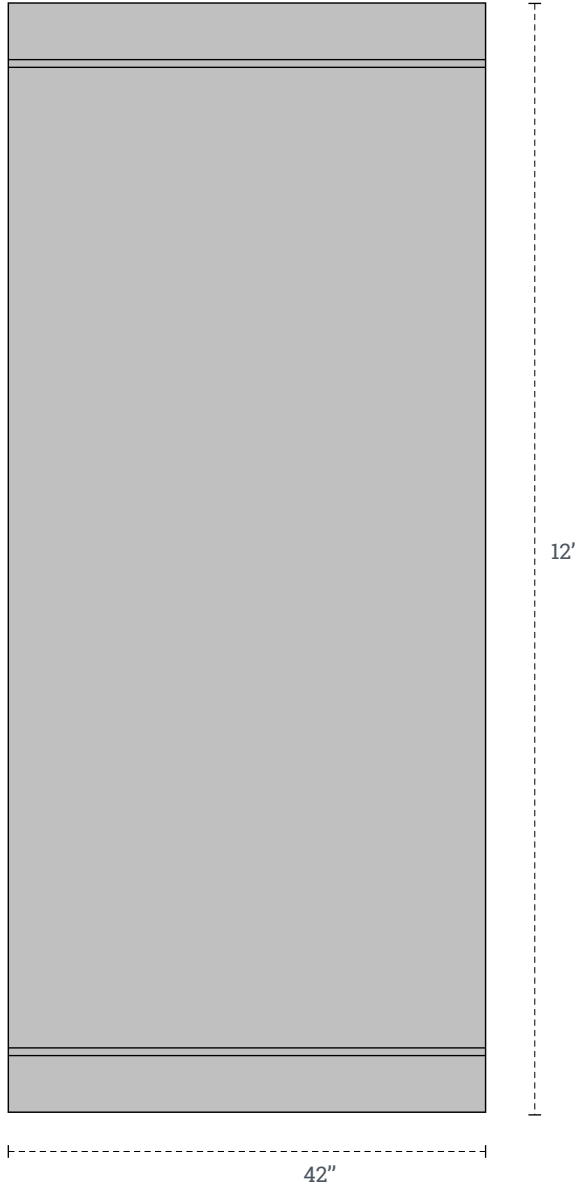
Custom



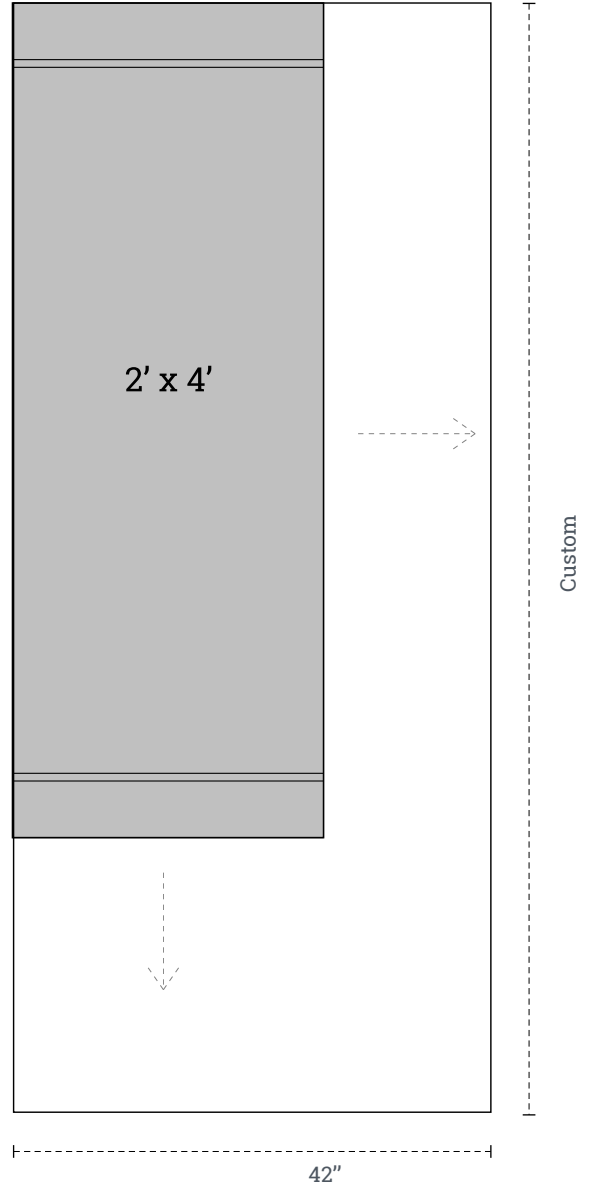
** Custom Widths from 2' to 4'
** Custom Heights from 2' to 8'

3mm PET Dimensions

Standard



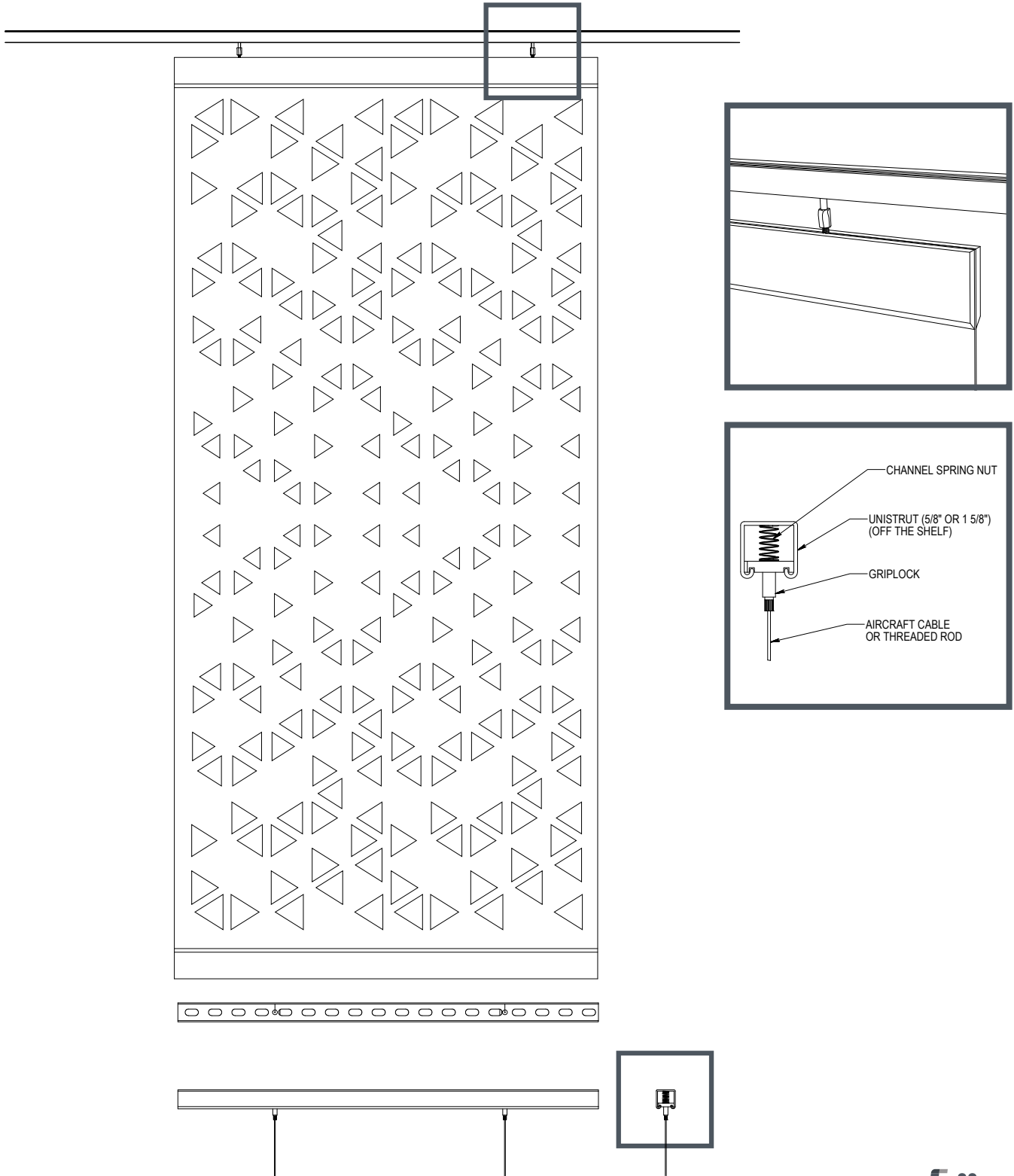
Custom



** Custom Widths from 24" to 42"
** Custom Heights from 2' to 12'

Track System

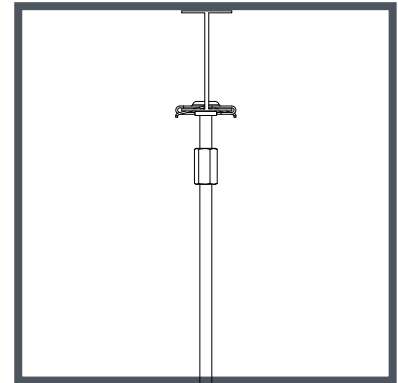
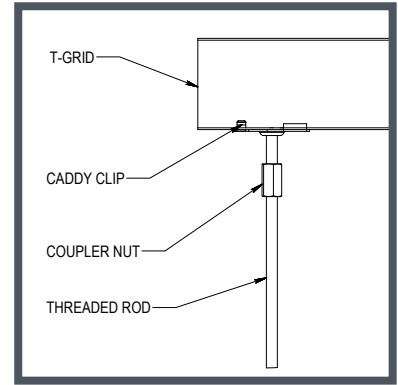
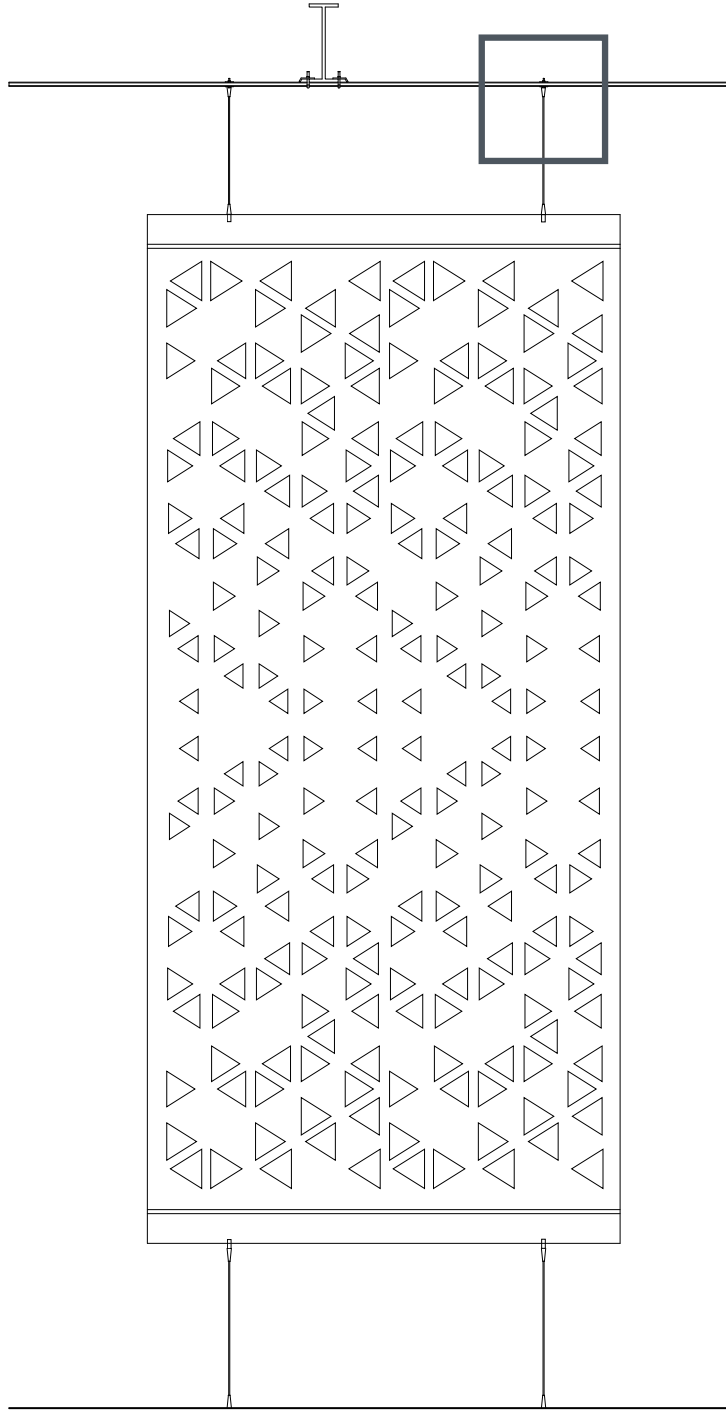
The PANL screens are placed in tracks to be easy to open and close a space.



* Five-year limited warranty guarantees all of our products are free from defects in the materials and maintain its quality of craftsmanship. See our "Terms and Warranties" sheet for full details.

Hanging PANL

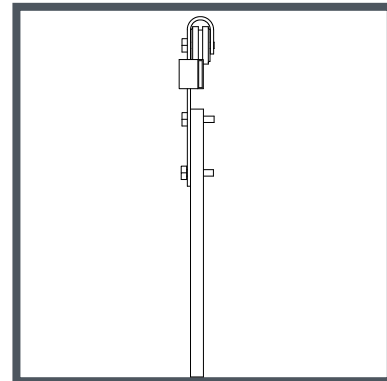
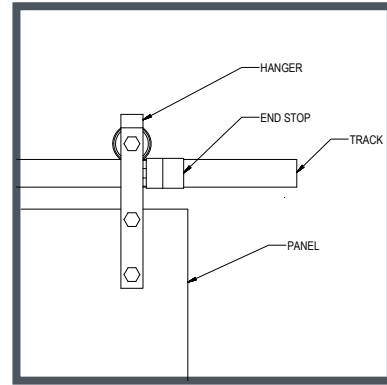
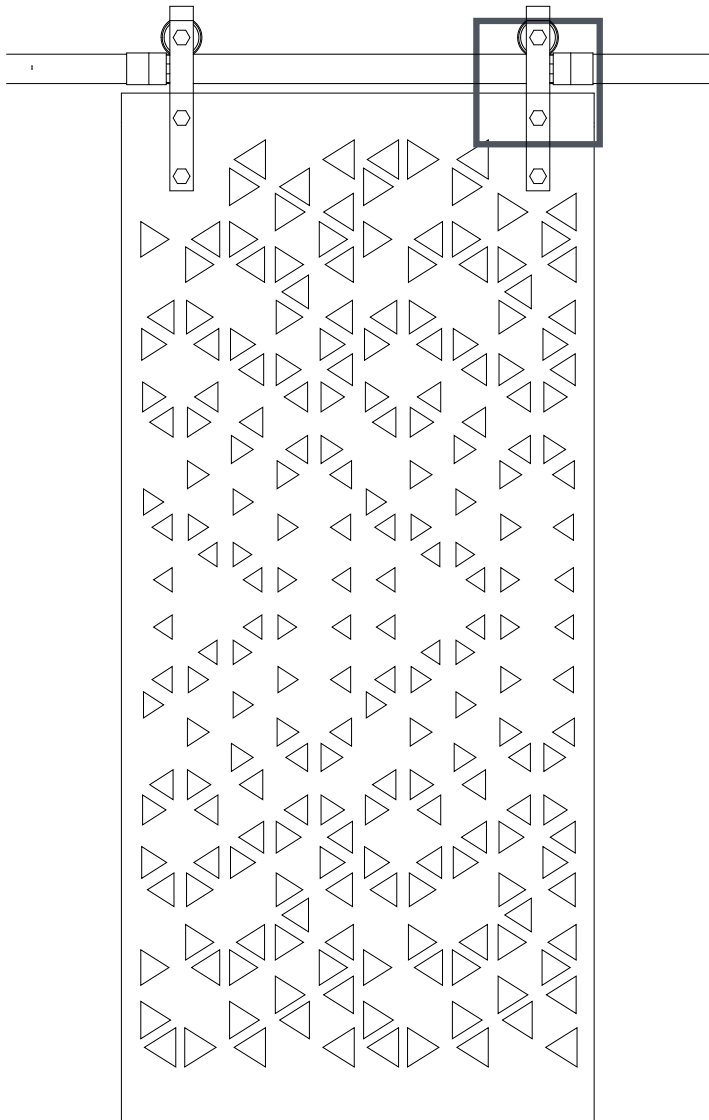
The PANL screens are hanged from ceiling.



fräsch!

Barn Door PANL

The PANL screens function as barn door.



* Five-year limited warranty guarantees all of our products are free from defects in the materials and maintain its quality of craftsmanship. See our "Terms and Warranties" sheet for full details.