



## StratoScape SLAB

Fräsch was founded on the belief that creating healthy and beautiful office environments leads to a happier and highly motivated workforce.



## StratoScape

# SLAB

Suspended Baffle

Discover the elegance of Slab, a suspended acoustic parametric square.

Slab's geometric design offers boundless creative possibilities, reducing reverberation while composing stunning visual displays.

Architects and designers can create captivating environments, encompassing the whole ceiling or focusing on single focal areas for acoustic support.

**Application** Suspended Acoustic System

### Components

43.3in X 43.3in X 15.7in

### Hardware

Default: Convenient Snap together construction

**Material Content** 12 mm 100% PET (55% recycled content)

**Flammability** ASTM E84 Class A or B

### Acoustics

**NRC** 0.35 0.54 0.85 1.22 0.75

NRC rating is based on one full sheet of 12mm PET material

**Environment** Low VOC;  
Post-Consumer Recycled Content  
100% Recyclable

### Installation

SLAB is suspended from the ceiling.

**Country of Origin** USA

**Warranty** 2 Years

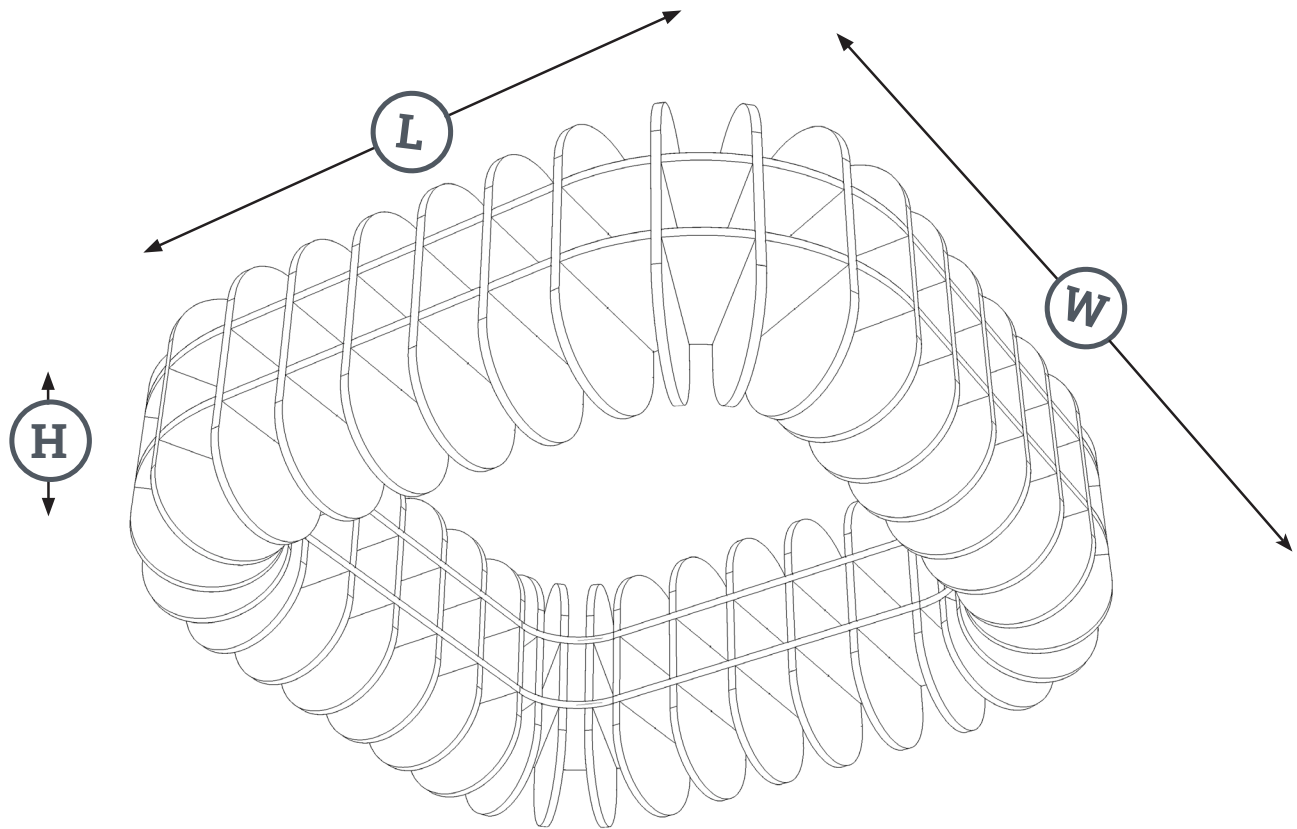
Designed by  
**1six8**

**fräsch!**

609 112th Street, Suite A  
Arlington, TX 76011

# SLAB Dimensions

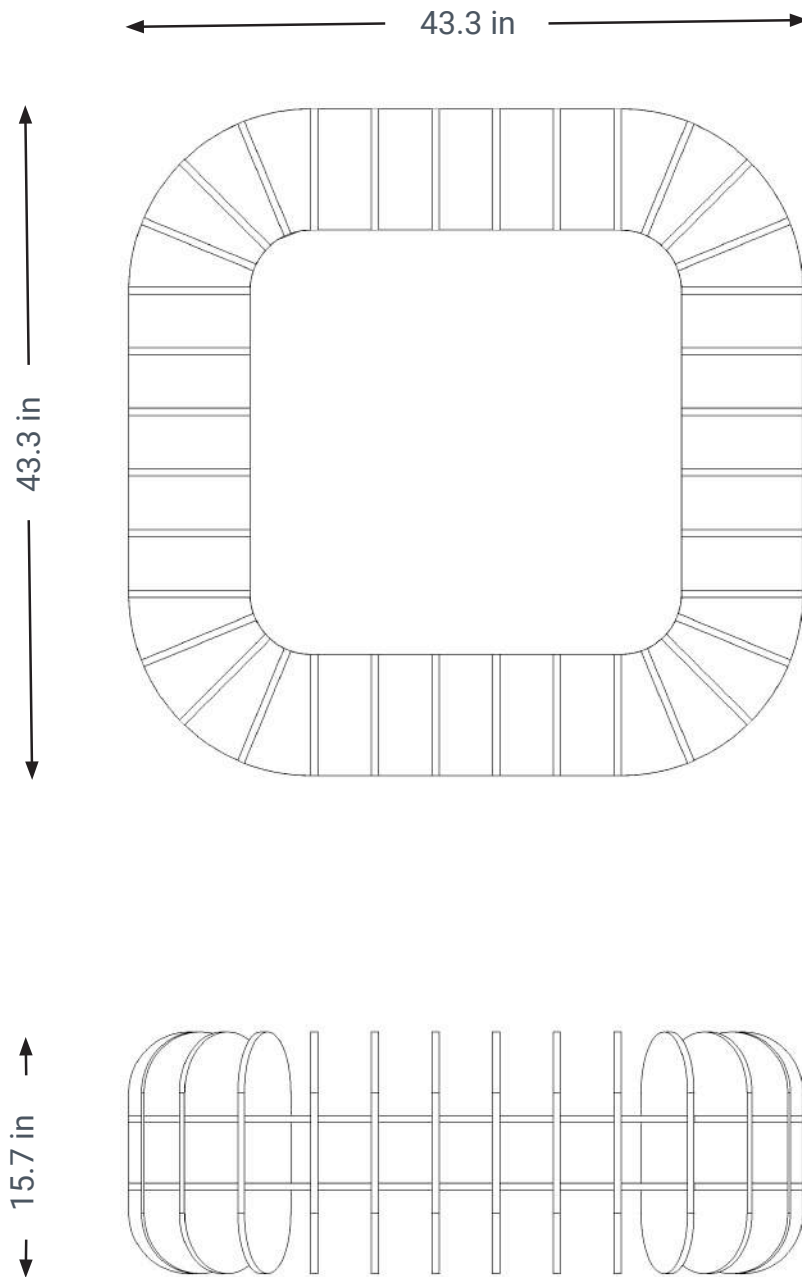
---



HEIGHT	LENGTH	WIDTH
15.7 in	43.3 in	43.3 in

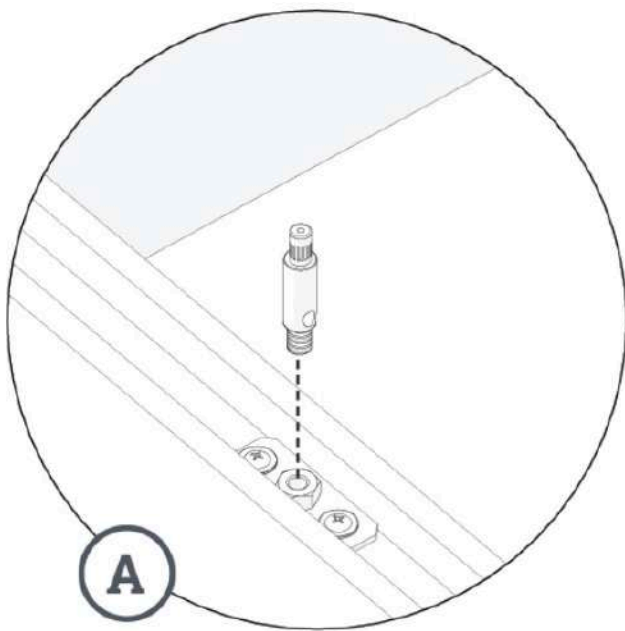
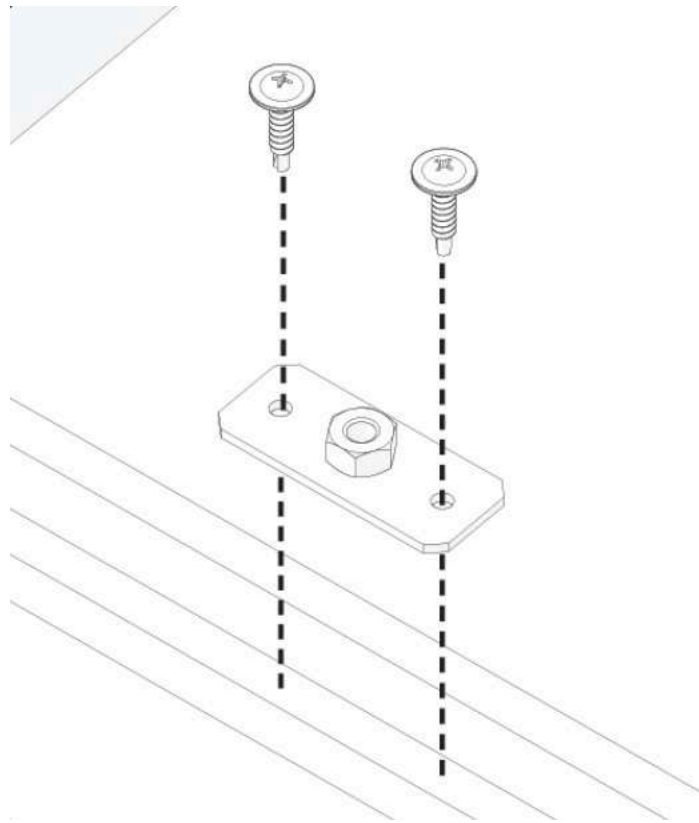
# SLAB Dimensions

---

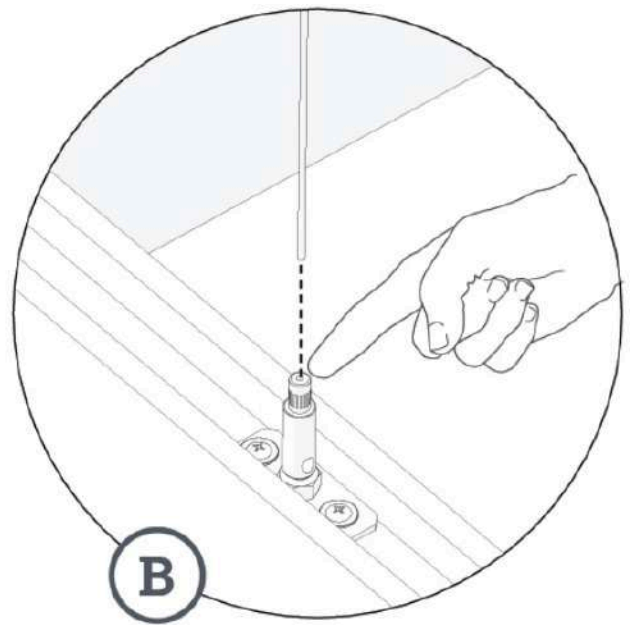


---

\* Two-year limited warranty guarantees all of our products are free from defects in the materials and maintain their quality of craftsmanship. See our two-year warranty sheet for full details.



**A**  
Screw the Grip Lock into the flat bracket.



**B**  
Press down on the plunger while inserting the cable.