



WAFL BAFL

Fräsch was founded on the belief that creating healthy and beautiful office environments leads to a happier and highly motivated workforce.



WAFL BAFL

Acoustic Ceiling Baffle

WAFL BAFL is an acoustical ceiling fixture that provides a diagonal shape and dimension to an exposed industrial or gypsum ceiling. Each 4'x4' pre-assembled module is easily attached to a Unistrut channel or into decking using aircraft cable and then fastens together to make a repeatable waffle grid. The unique folded felt pattern gives the lightweight shape rigidity and thickness while the material and geometry provide excellent NRC performance. The WAFL baffle also has an option to accept a 4' linear LED light that creates a direct downlight with the appearance of an indirect illuminated glow.

Application Ceiling Suspended

Hardware:

Material Content 9 mm 100% PET (55% recycled content)

Acoustics

Frequency (Hz)	250	500	1K	2K	NRC
NRC	0.57	0.90	1.36	1.61	1.10
Sabins per m ²	4.45	7.05	10.62	12.61	

Test was conducted while product was in its actual installation setting

All NRC testings assumes one face/one object and does not account for the product thickness

Environment Low VOC;
Post-Consumer Recycled Content
100% Recyclable

Installation

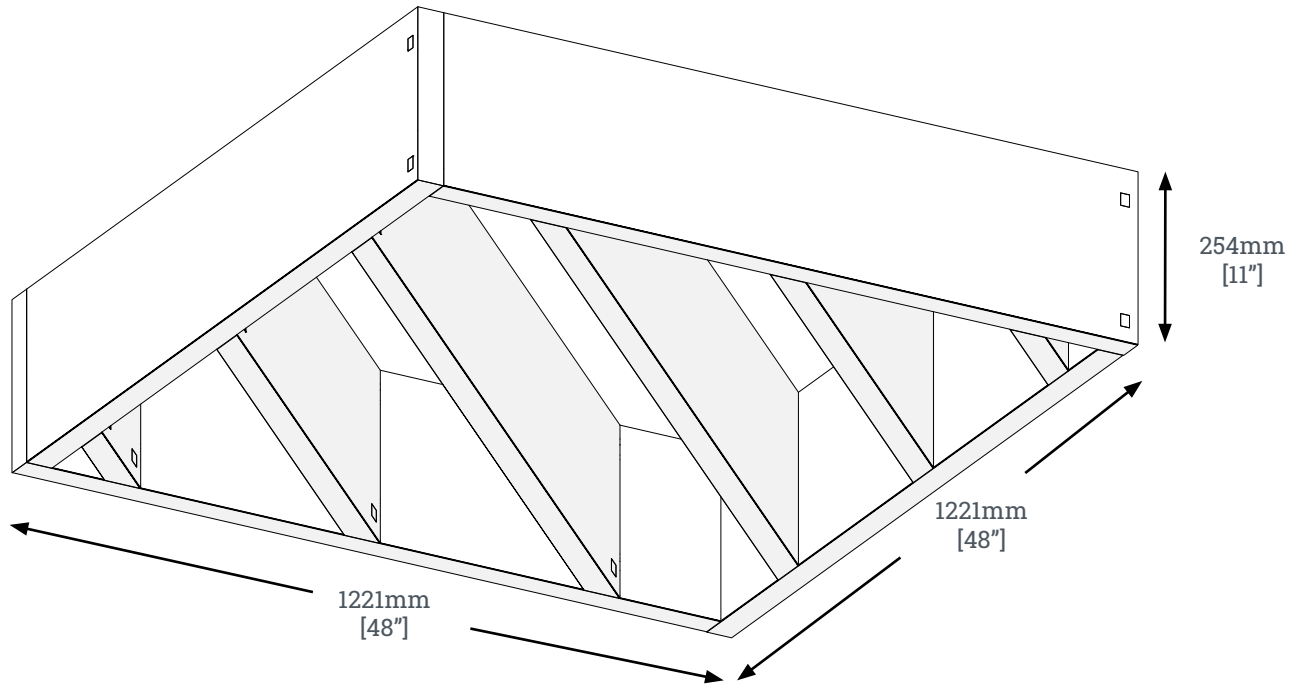
WAFL BAFL comes with installation brackets for easy connectivity and quick install. Griplocks and Aircraft Cable are included. The ceiling fastener is provided by an installer.

Country of Origin USA

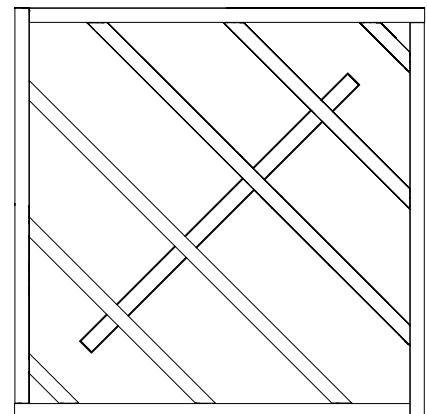
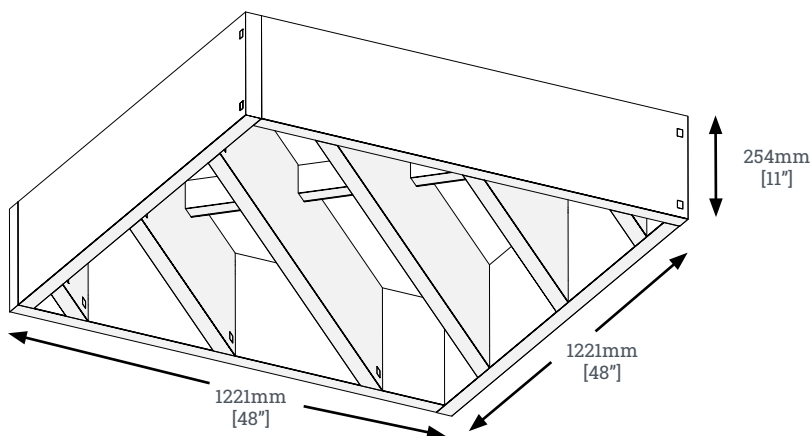
Warranty 2 Years



WAFL BAFL - DIMENSIONS



Lit Version:



Bottom View of visible LED light