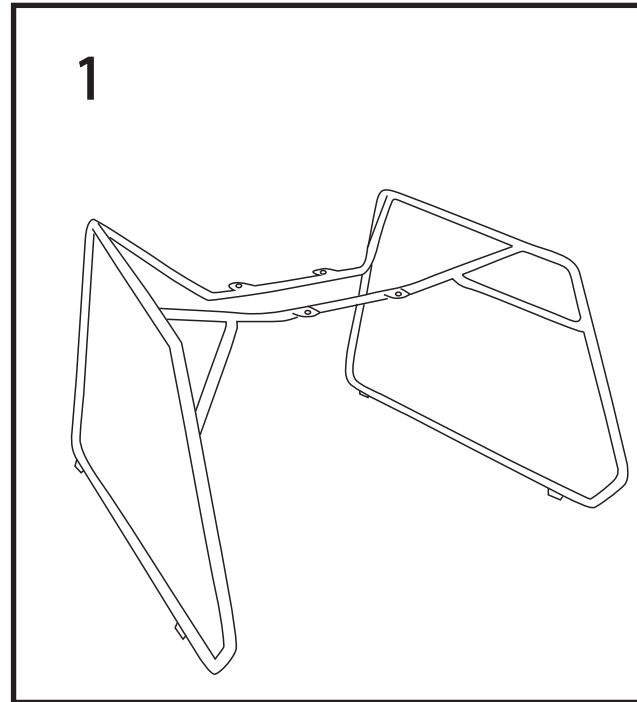




Celi

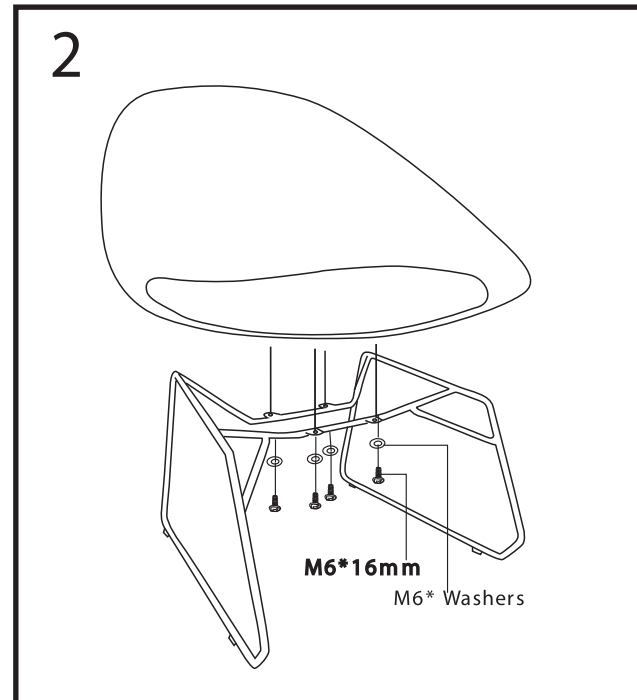
fräsch!

www.frasch.co



M6*16mm 4	6*18*1.5 4

Remove base and seat from packaging and locate bolts and washers.



Place washers and bolts through holes on the chair base and gently screw them and hand tighten. Assembly may be easier by placing the shell upside down on the floor.

Do not use chair until all bolts are tightened.

Do not stand on the chair for any reason.

Periodically check bolts as they may loosen over time.