

# fräsch!



## WEDGE

Acoustical 3D Shape

This multidimensional design addresses acoustics in multiple ways; geometry, large air cavity, as well as a larger amount of acoustical material per surface covered. Each wedge tile fits snugly next to each other to create many different intricate layouts.

Features	<b>Featuring a Unique Geometric Pattern</b>	
	<b>Designed to Optimize Sound Absorption</b>	
	<b>Allows for Modular Placement and Customization</b>	
	<b>Easy Install and Care</b>	
Dimensions	<b>Warranty</b>	*Limited 5 Years
	<b>Product Weight</b>	0.25-0.5 lbs.
	<b>Length</b>	13.5" and 24"
	<b>Width</b>	5.83"
Product Build	<b>Height</b>	3.5" and 5.5"
	<b>Available Colors</b>	25
	<b>Material</b>	PET
	<b>Country of Origin</b>	USA

Installation

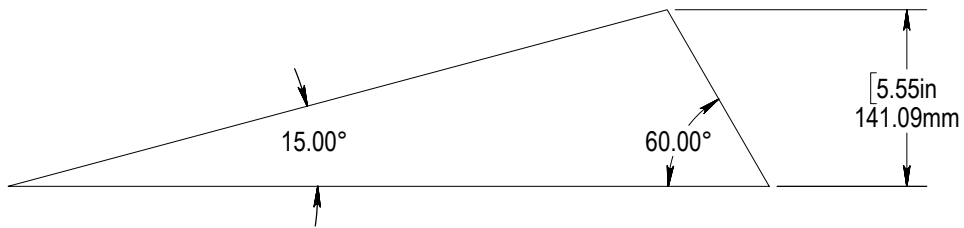
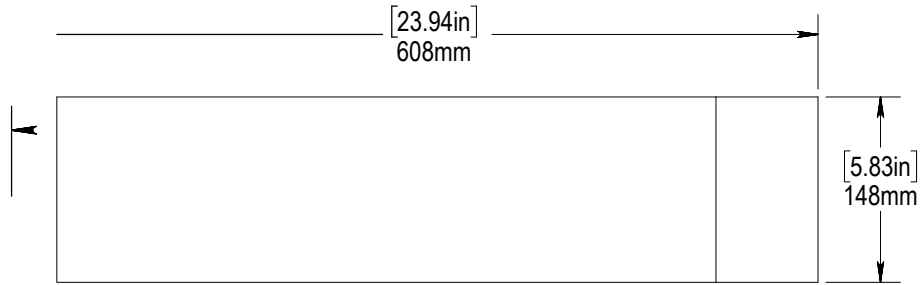
Each Wedge Tile has a large peel-and-stick backing for secure and easy install.

### 9mm Fella Color Guide

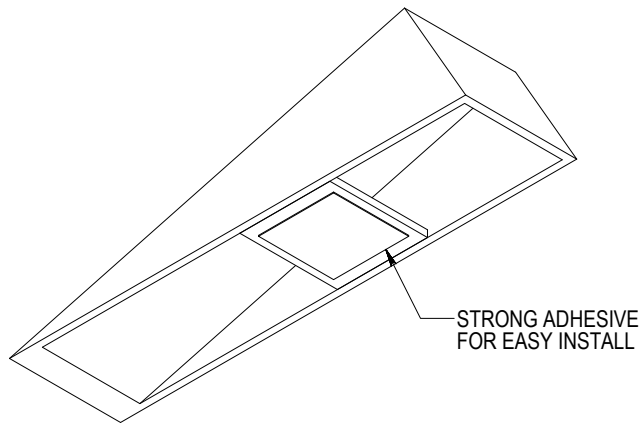


\* Two-year limited warranty guarantees all of our products are free from defects in the materials and maintain their quality of craftsmanship. See our "Terms and Warranties" sheet for full details.

## Dimensions



]



## Layouts

---

