

## PANL

### Acoustical Screen

These installation suggestions consist of a common process for panel installation. Installers should rely upon their own professional experience and understanding of their unique requirements to ensure a successful install.

Confirm your unistrut installation has been completed. Consult with a professional about a proper unistrut installation for your ceiling type (concrete vs. sheetrock).

---

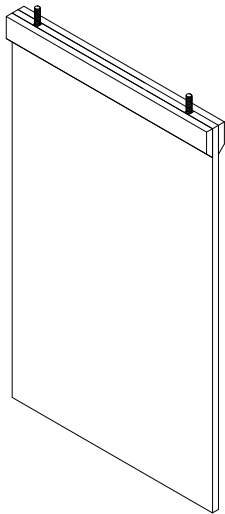
### Tools Needed



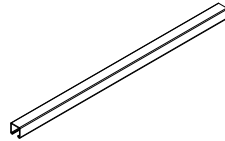
Drill

---

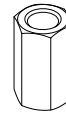
### Items Included



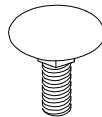
Panel with mounting T-bolt



(2) Aluminum Strut



(2) Coupling Nut



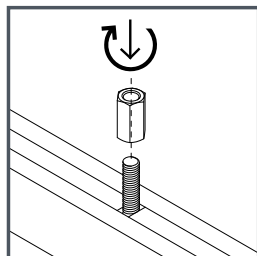
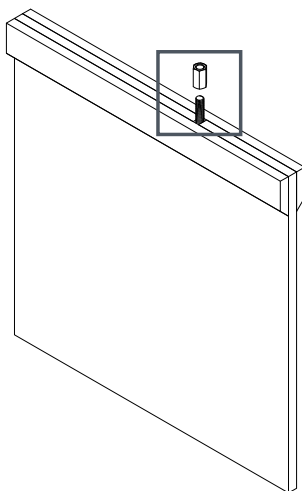
(2) Glider

---

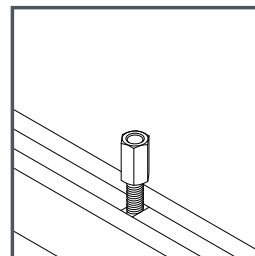
## PANL

Acoustical Screen

1. Insert the coupling nut on the T-bolt.

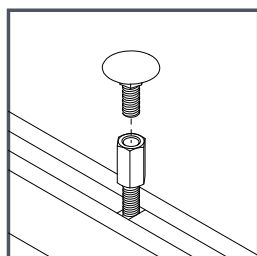
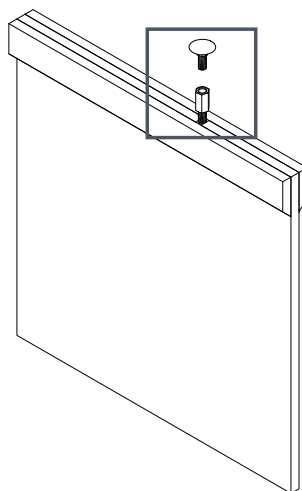


Detail A

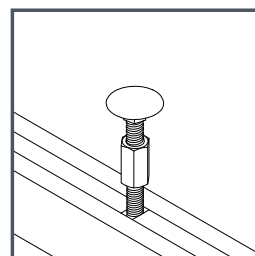


Detail B

2. Insert the glider on coupling nut and screw it until it reaches the T-bolt. Do it on both T-bolt locations.



Detail A



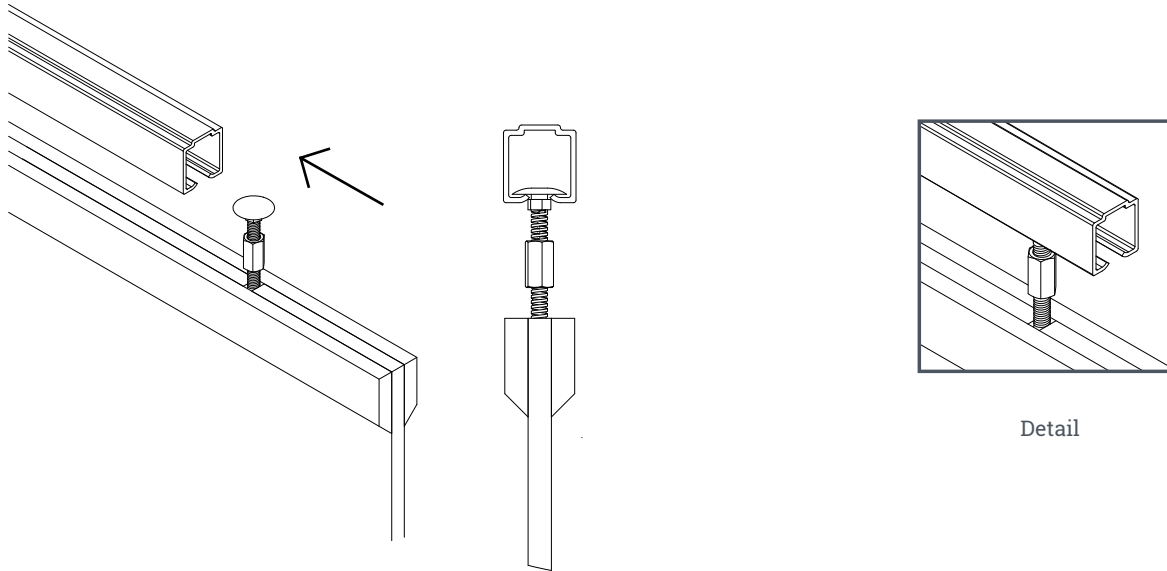
Detail B

## PANL

Acoustical Screen

---

3. Slide the panel using the glider on aluminum mounting track.




Detail


## PANL - Unistrut Option


Acoustical Screen

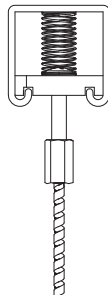
### i. Install Threaded Rod from Unistrut



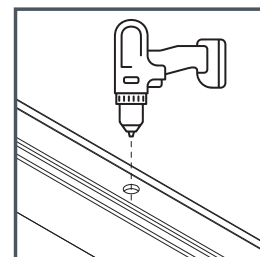
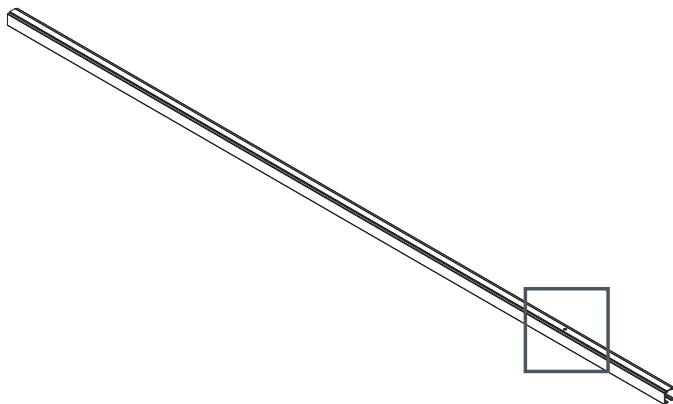
⤵  1. Twist the spring nut to go inside unistrut

⤴  2. Screw coupling nut to the spring nut

⤵  3. Screw threaded rod to the coupling nut



### ii. Make 1/4" drill for threaded rod assembly.

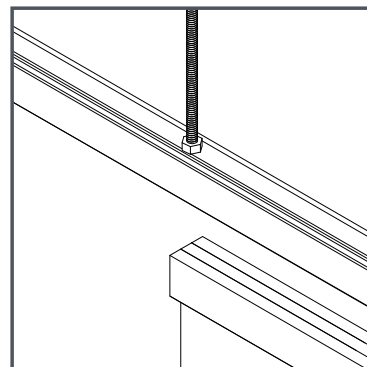
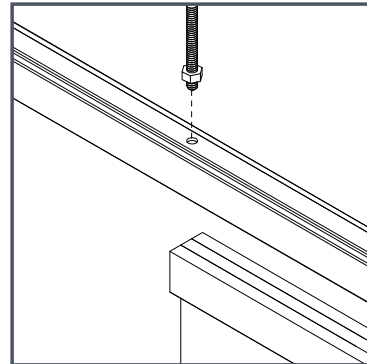
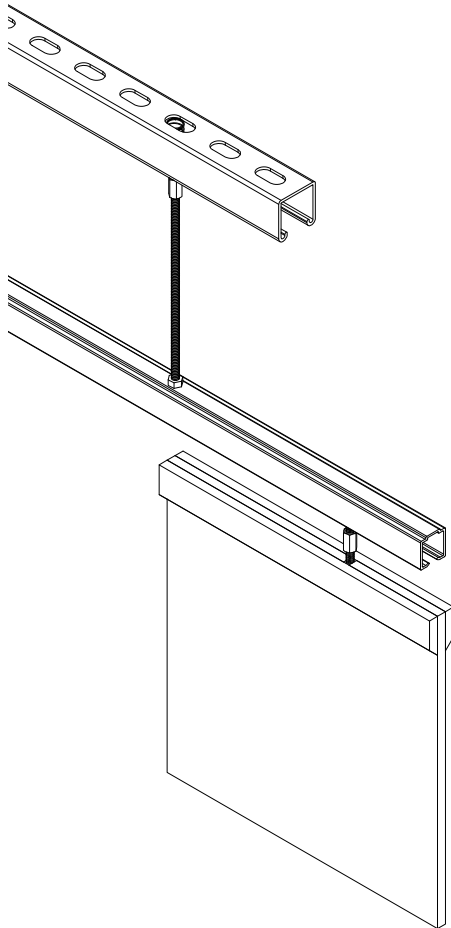


Detail

## PANL - Unistrut Option

Acoustical Screen

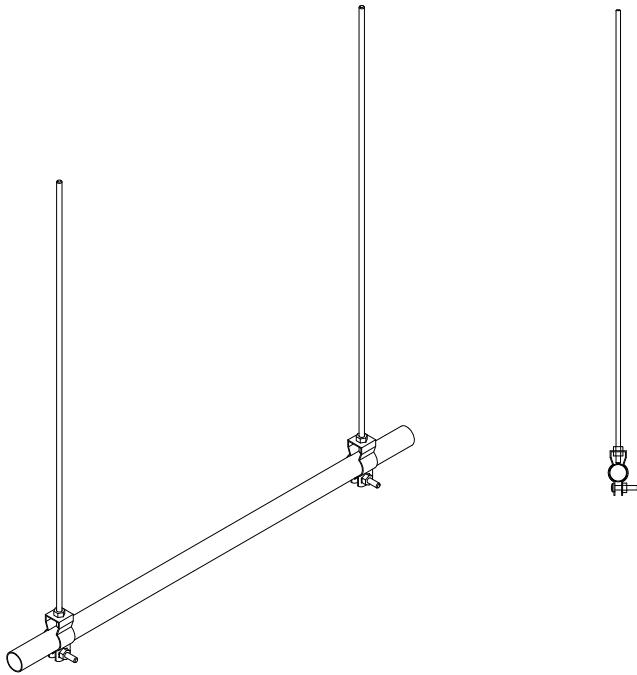
iii. Insert the threaded rod on the pre-drilled location of side panel assembly extrusion.



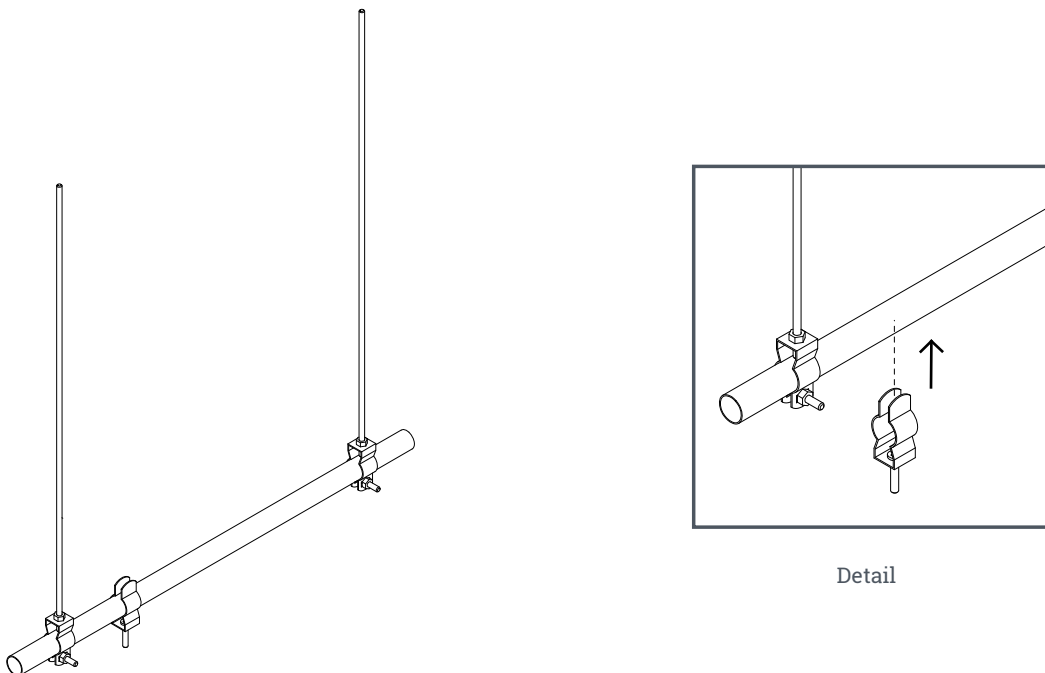
## PANL - Conduit Clip Option

Acoustical Screen

- i. Check the existing pipe location and measure the required length needed to hang the panel (consult installer or architect for proper measurement)



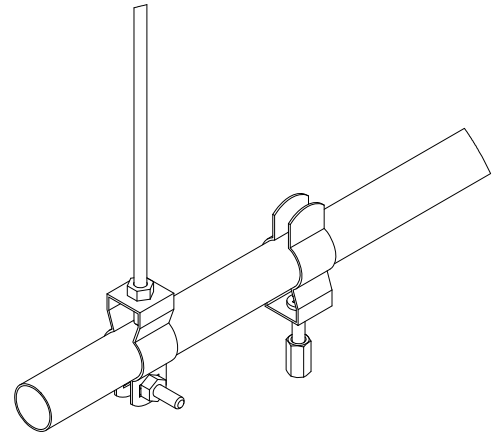
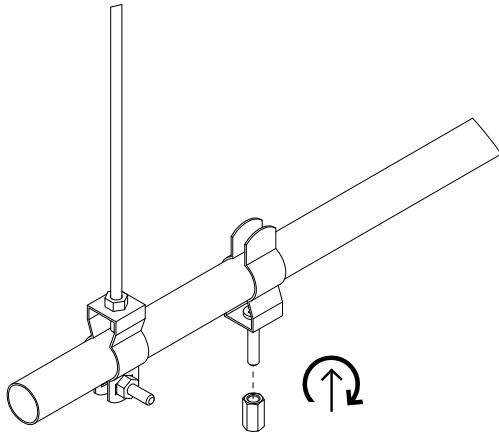
- ii. Attached the conduit clip to the existing pipe.



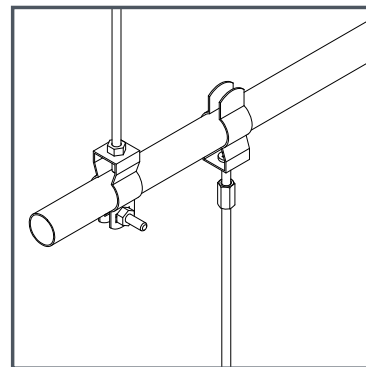
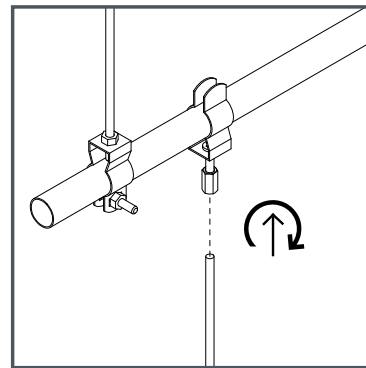
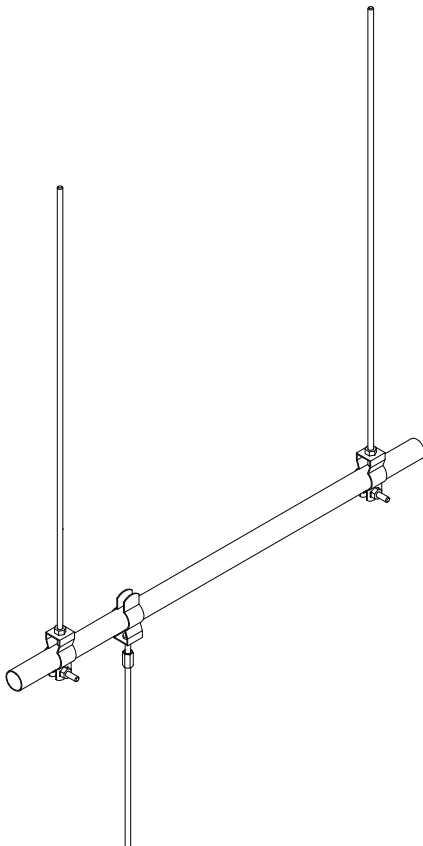
## PANL - Conduit Clip Option

Acoustical Screen

iii. Insert the coupling nut to the conduit clip bolt.



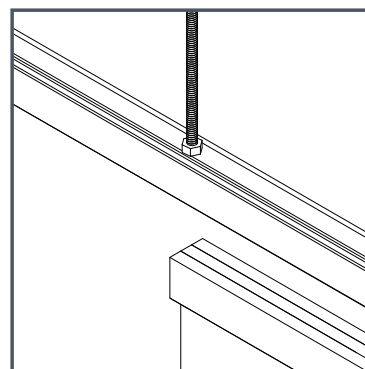
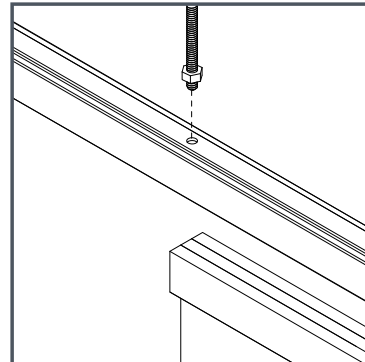
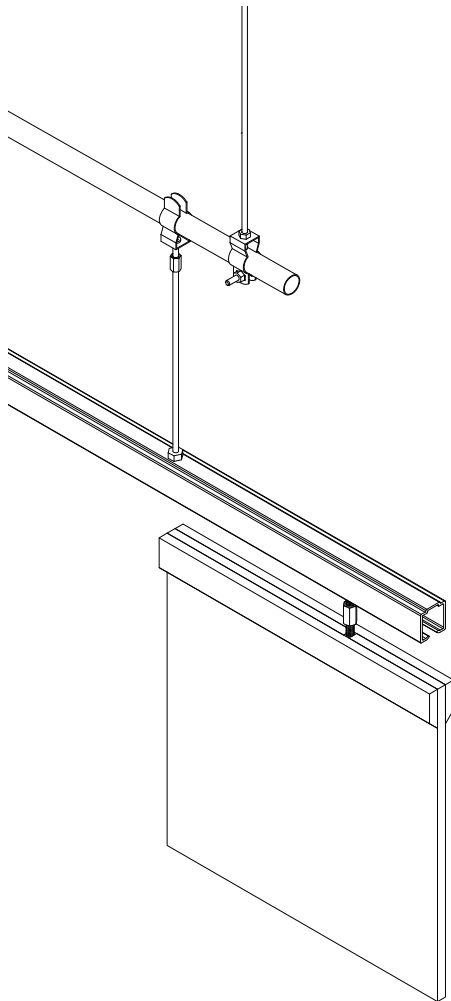
iv. Insert the threaded rod to the coupling nut.



## PANL - Conduit Clip Option

Acoustical Screen

- v. Insert the threaded rod on the pre-drilled location of side panel assembly extrusion.

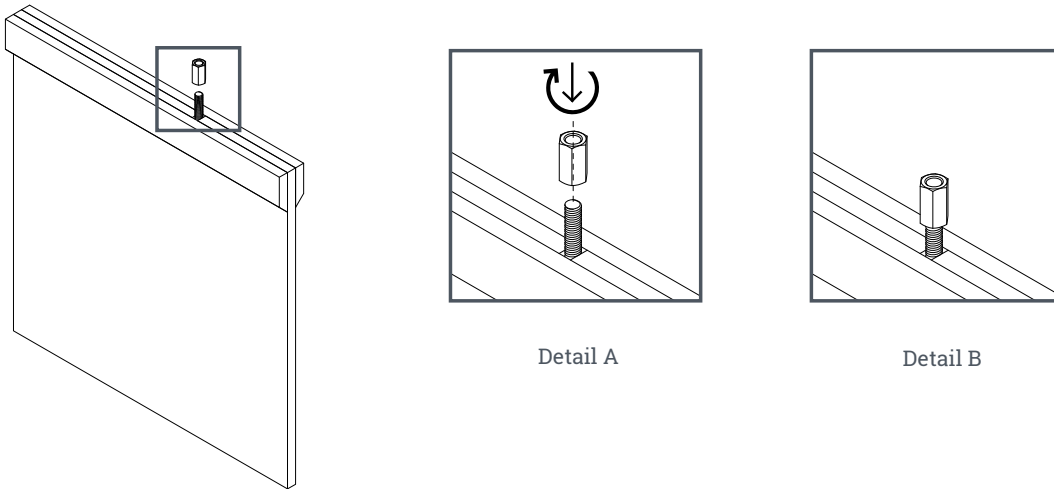




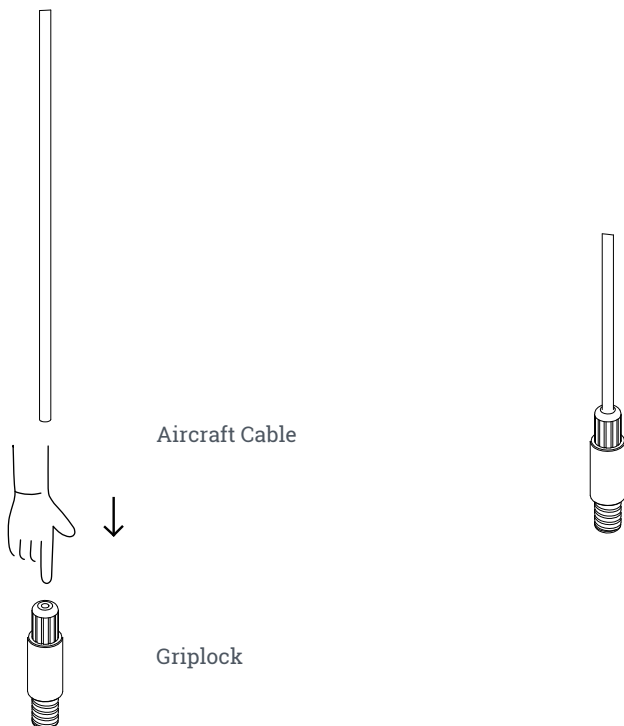
## PANL - Aircraft Cable Option

Acoustical Screen

1. Attach the coupling nut with the existing t-nut of the sliding panel.



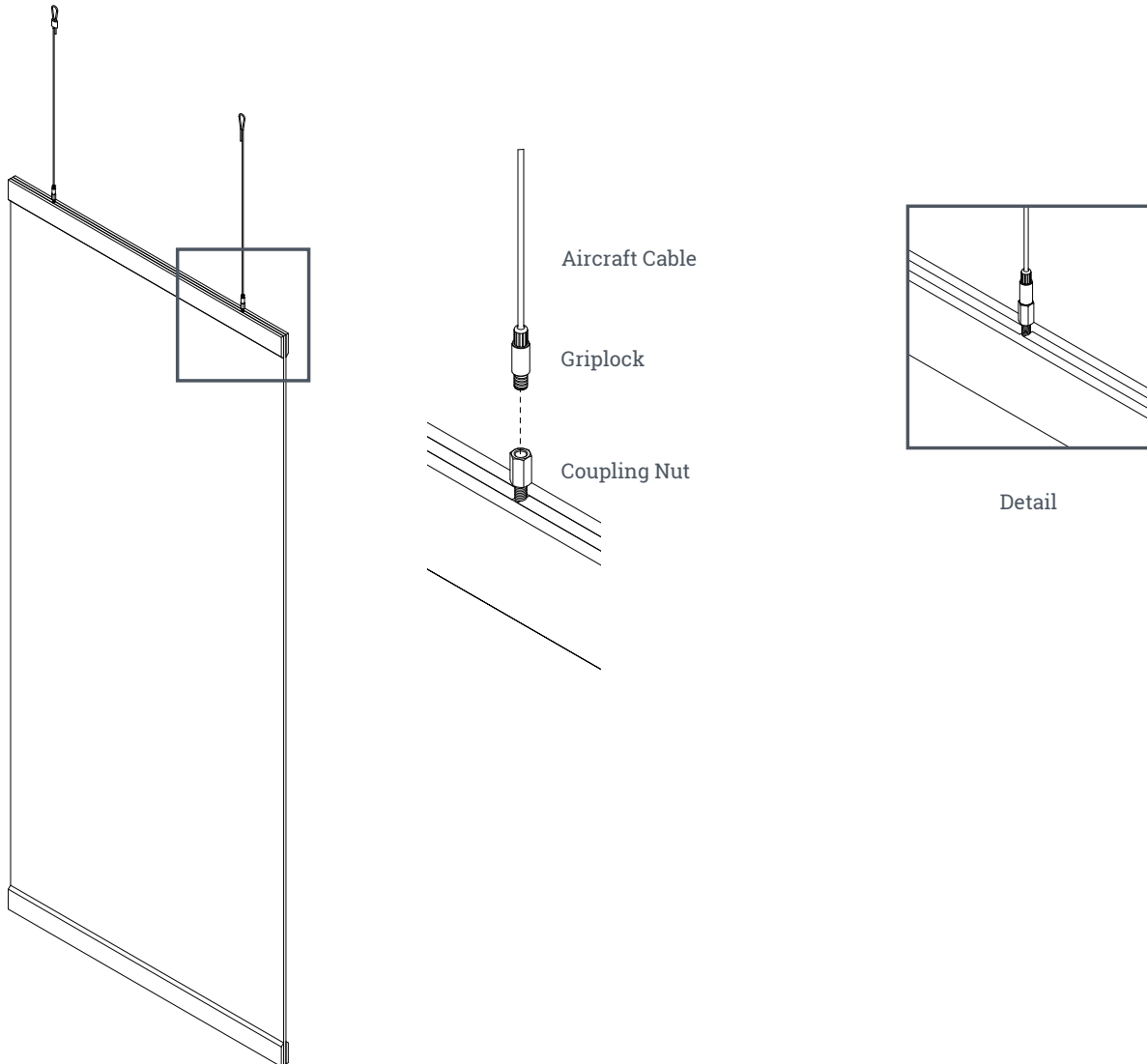
2. Insert the aircraft cable into the griplock.



## PANL - Aircraft Cable Option

Acoustical Screen

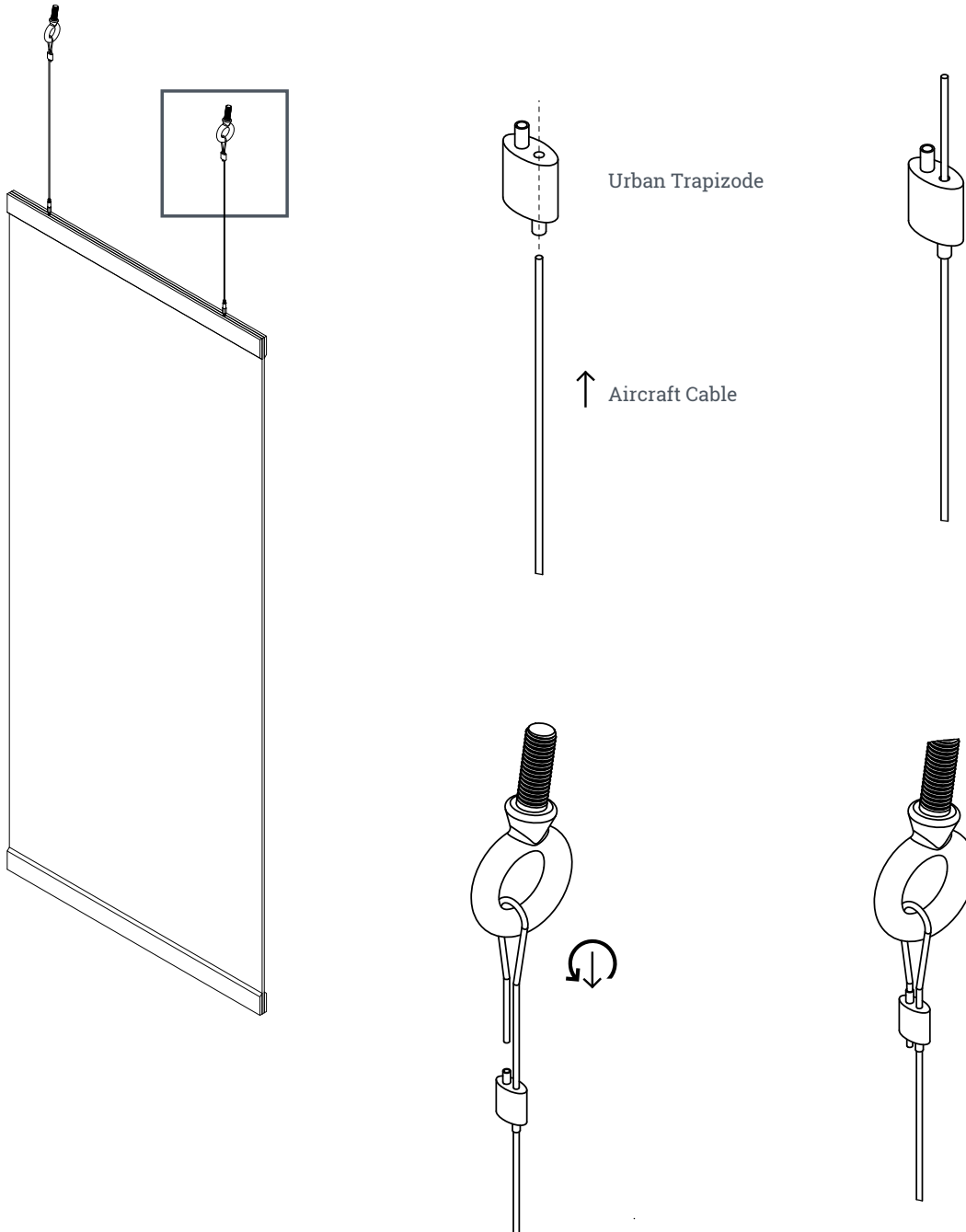
3. Screw the griplock to the coupling nut of the sliding panel.



## PANL - Aircraft Cable Option

Acoustical Screen

4. Insert other end of the aircraft cable through the guided clutch button on the urban trapizode until several inches of cable emerge. To complete the loop, continue threading the cable, pass through existing eyebolt and through the sign connector and the unused clutch button. the built in clutch automatically secured the cable.



## PANL Installation (using magnetic connectors)

### Acoustical PANL

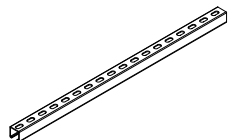
These installation suggestions consist of a common process for panel installation. Installers should rely upon their own professional experience and understanding of their unique requirements to ensure a successful install.

It can connect to any metal surface such as drop ceiling grid or metal elements of a building

### Tools Needed

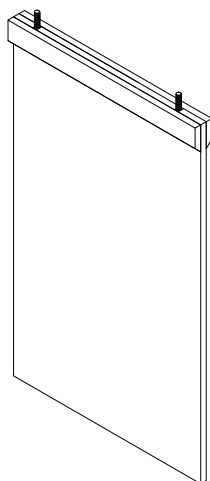


Cable Cutter

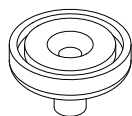


Unistrut Installed or Any Metal Surface

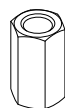
### Items Included (if using aircraft cable or threaded rod)



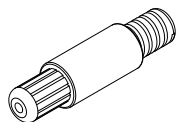
Panel with mounting T-bolt



(2) Magnetic Stud



(2) Coupling Nut

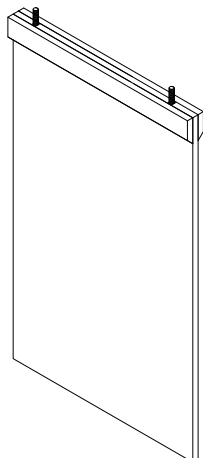


(2) Channel Nut

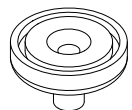


(2) Aircraft Cable

### Items Included (without Aircraft Cable and Threaded Rod)



Panel with mounting T-bolt



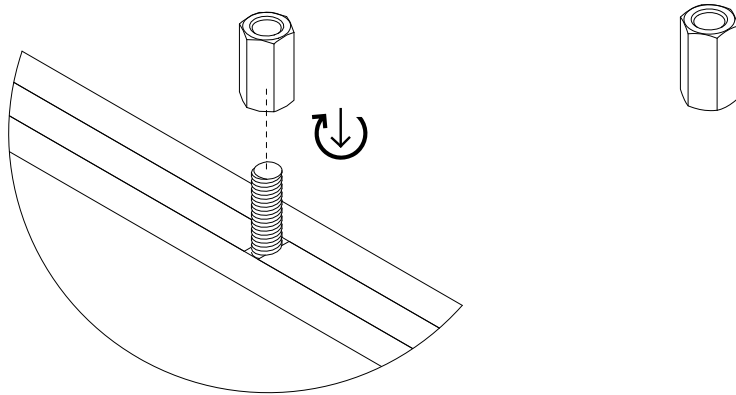
(2) Magnetic Stud

## PANL Installation

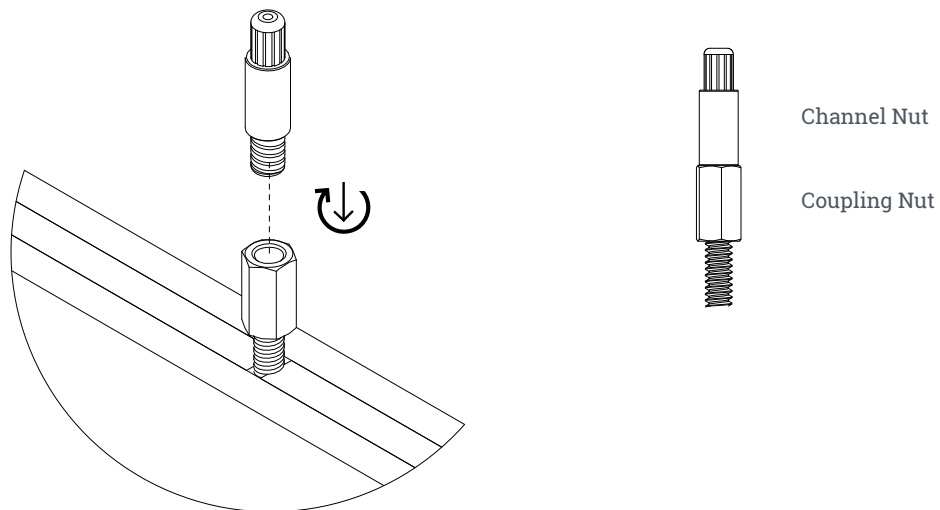
Acoustical PANL

---

1. Insert the coupler nut from all the way to the threaded portion of the T-nut.



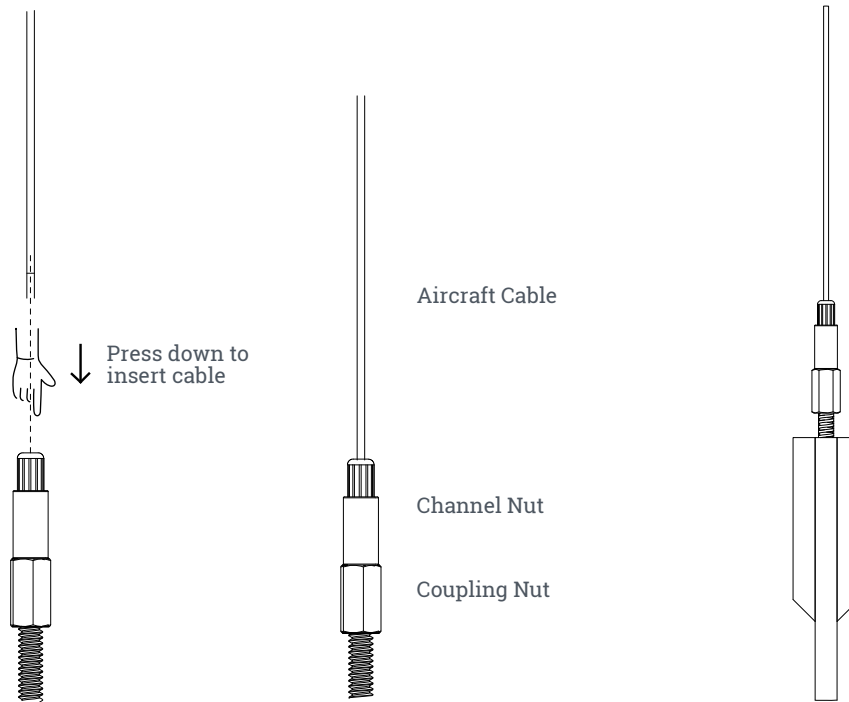
2. Take the channel nut and unscrew the coupling nut half way to screw the channel nut.



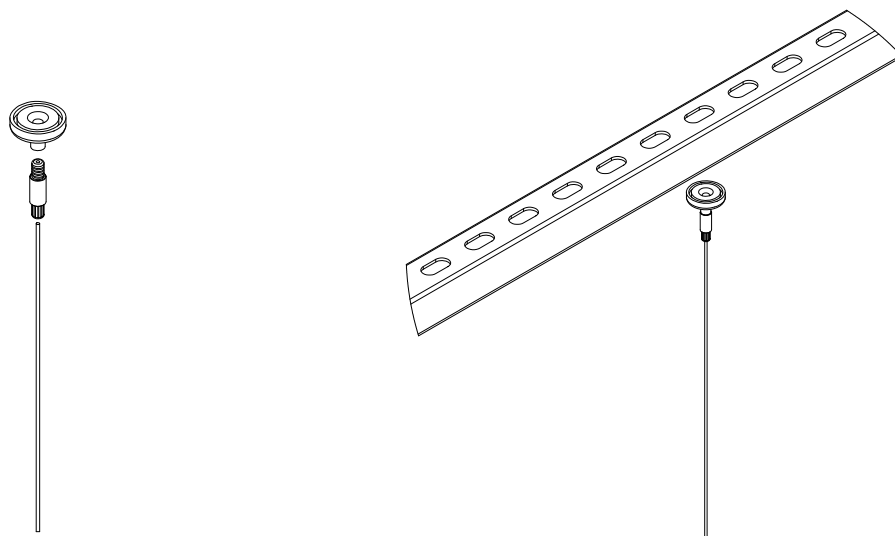
## PANL Installation

Acoustical PANL

3. Press and hold the channel nut tip to insert the aircraft cable.



4. Insert the cable into the channel nut and screw the channel nut on the magnetic stud.

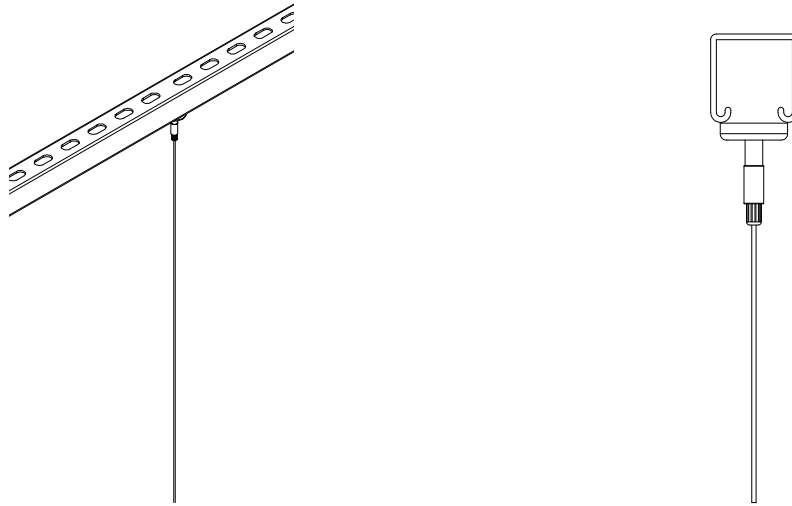


## PANL Installation

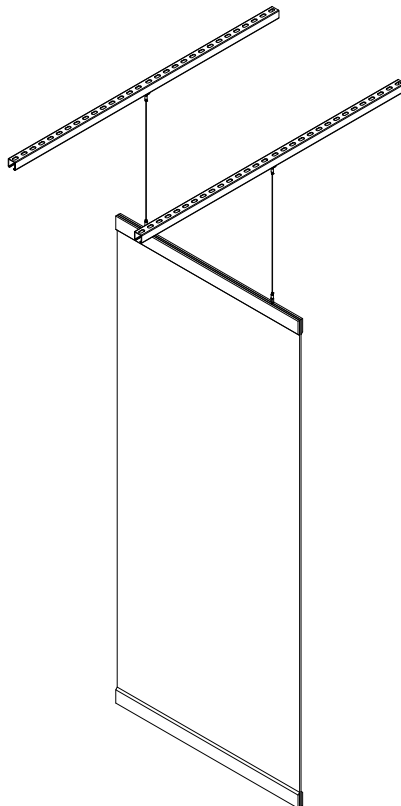
Acoustical PANL

---

5. Attach the magnet to the unistrut.



6. Complete the installation.

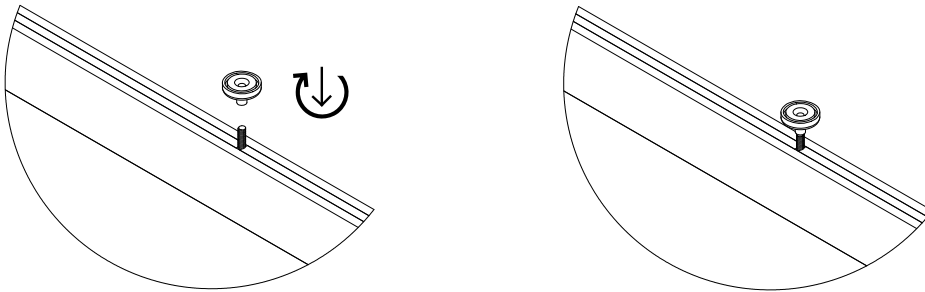


## PANL Installation

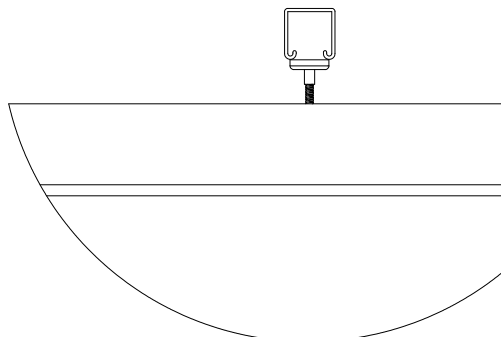
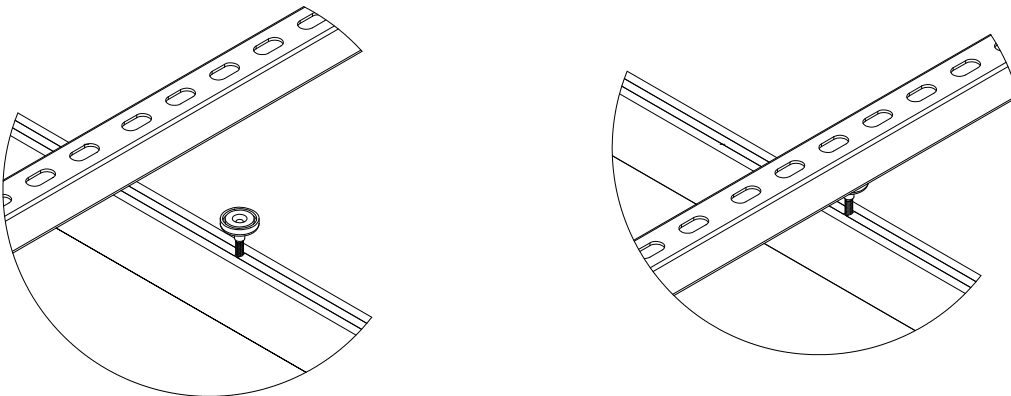
Acoustical PANL (without Aircraft Cable and Threaded Rod)

---

1. Insert the magnetic stud all the way to the threaded portion of the T-nut.



2. Attach the magnet to the unistrut.





## PANL Installation

Acoustical PANL (without Aircraft Cable and Threaded Rod)

---

3. Complete the installation.

