

## CLOUD Installation

### Acoustical Cloud

These installation suggestions consist of a common process for baffle installation. Installers should rely upon their own professional experience and understanding of their unique requirements to ensure a successful install.

---

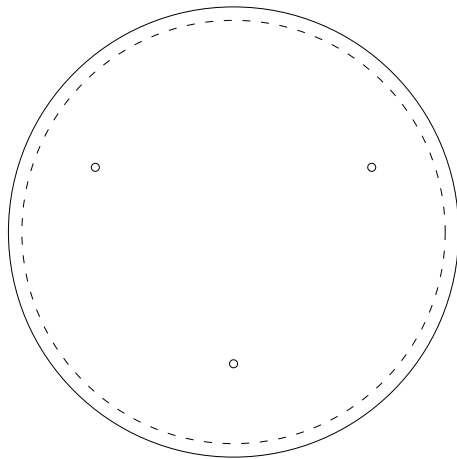
#### Tools Needed



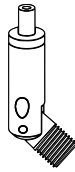
Cable Cutter

---

#### Items Included



Cloud



Jointed Gripper

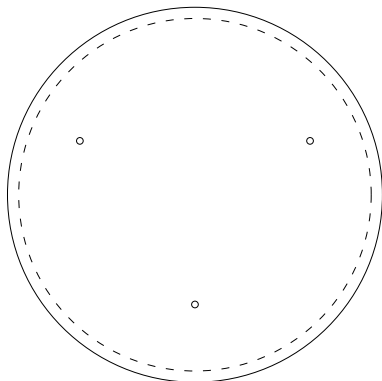


Sputnik Assembly

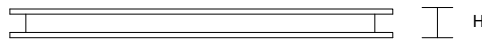


Aircraft Cable

- 
1. Unwrap Cloud from plastic wrap. Confirm cloud dimensions match your needs.



L



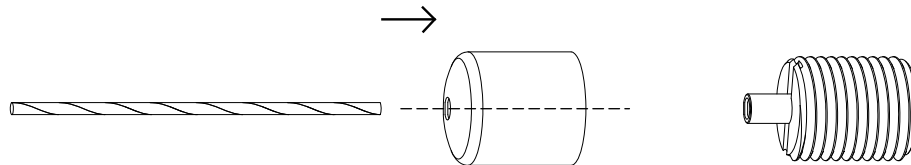
H

## CLOUD Installation

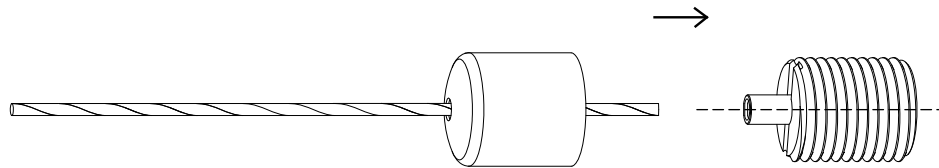
Acoustical Cloud

---

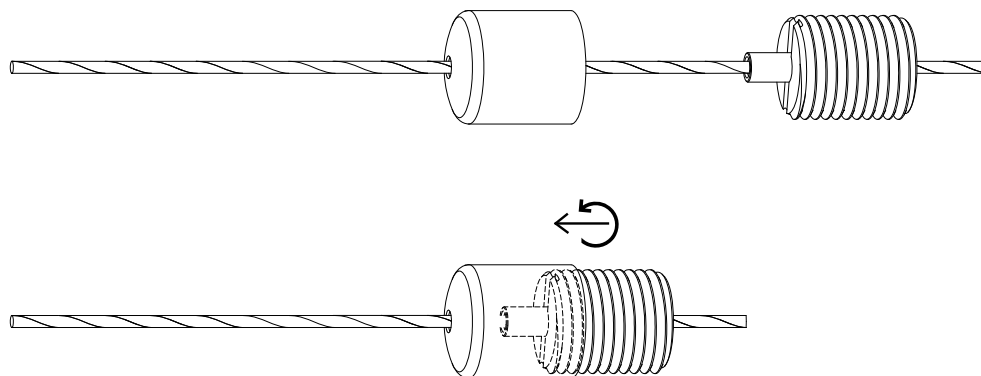
2. Insert the aircraft cable into the sputnik head.



3. Insert the aircraft cable into the threaded head.



4. Screw it to the sputnik head.

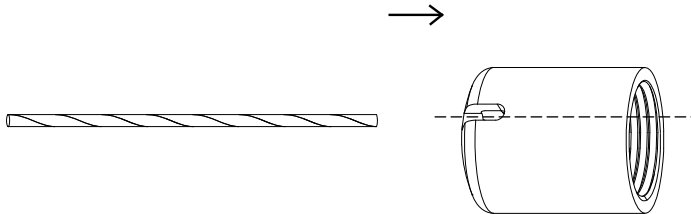


## CLOUD Installation

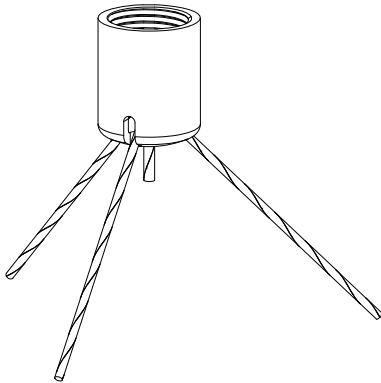
Acoustical Cloud

---

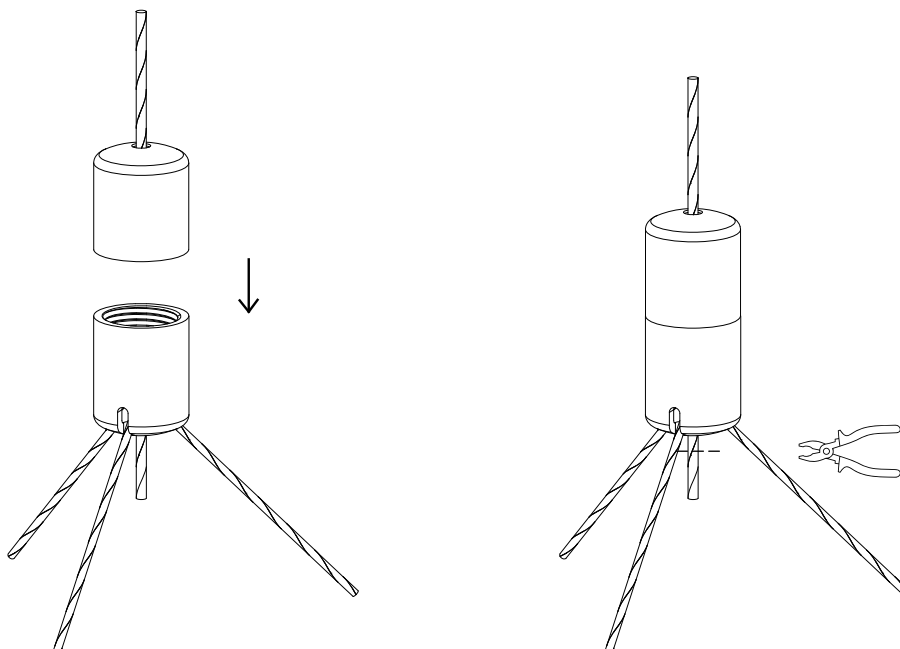
5. Insert aircraft cables to the bottom exit.



6. Use 3 aircraft cables to attach on the bottom exit.



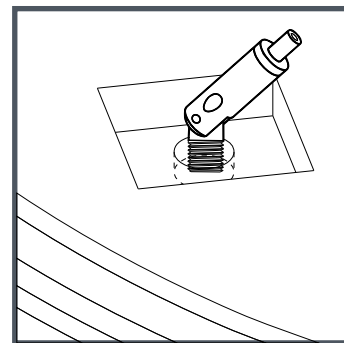
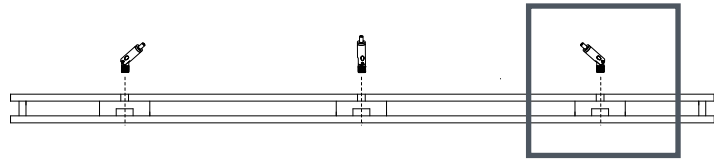
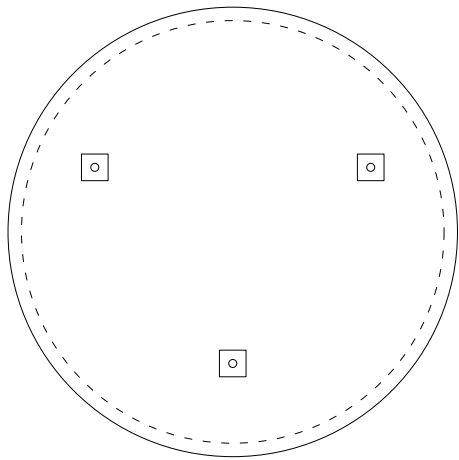
7. Screw it back to the sputnik head and cut excess wire



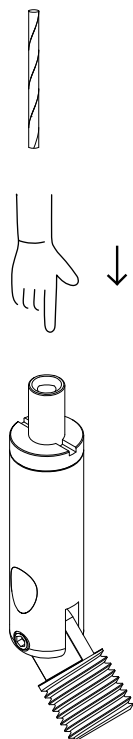
## CLOUD Installation

Acoustical Cloud

8. Locate the threaded hole to mount the jointed gripper.



9. Press and hold the spring portion to insert the aircraft cable.

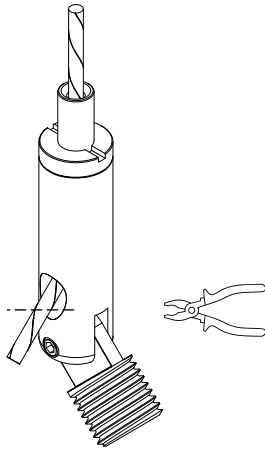


## CLOUD Installation

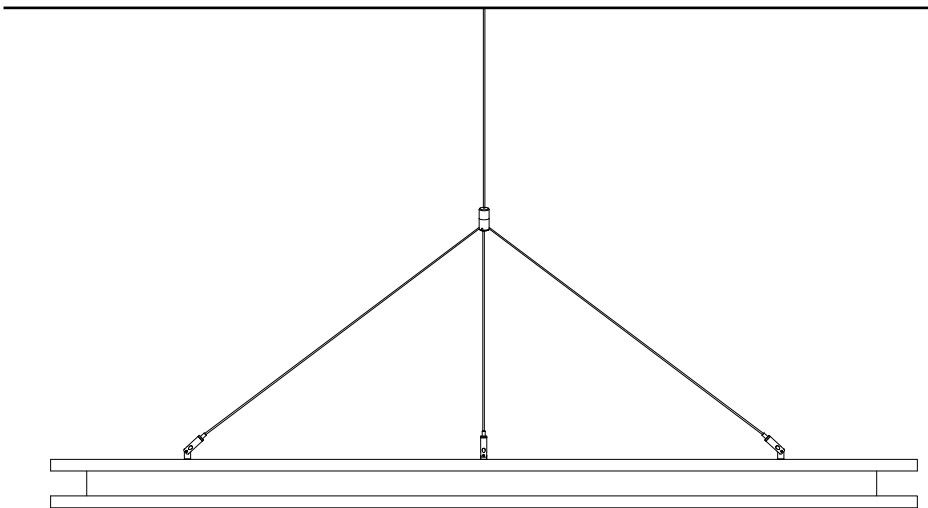
Acoustical Cloud

---

10. After insert cut out the excess cable.



11. Finished Assembly. Cloud can be hung at different lengths.



## CLOUD Installation

Acoustical Cloud

---

