

CANOE BAFL

Frasch was founded on the belief that creating healthy and beautiful office environments leads to happier and highly motivated workforce.



CANOE BAFL

Acoustical Ceiling Baffle

Subtle fluid movement of this baffle creates relaxing yet interesting ceiling treatment. The shape and construction of the Canoe BafI creates a larger internal air cavity for improved sound absorption performance.

Application Ceiling Suspended

Dimensions Small Canoe: 4ft: 48"L x 7.5"W x 9"H
Weight 3 lbs

Dimensions Large Canoe: 8ft: 95"L x 7.5"W x 9"H
Weight 6 lbs

Hardware Threaded Rod, Coupling Nut and Cable Gripper.

Material Content 9mm 100% PET (55%recycled content)

Acoustics ASTM C423-17: NRC = 0.75 (Material)

Flammability ASTM E84 Class A or B

Environment Environmental Product; Low VOC;
 Post-Consumer Recycled Content
 100% Recyclable

Country of Origin USA

Warranty 2 Years

Installation

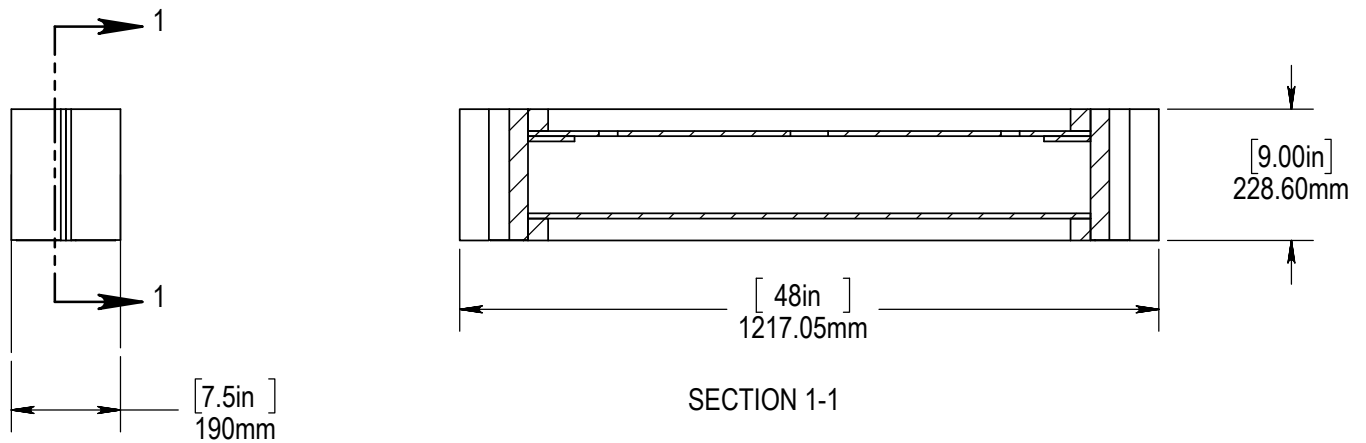
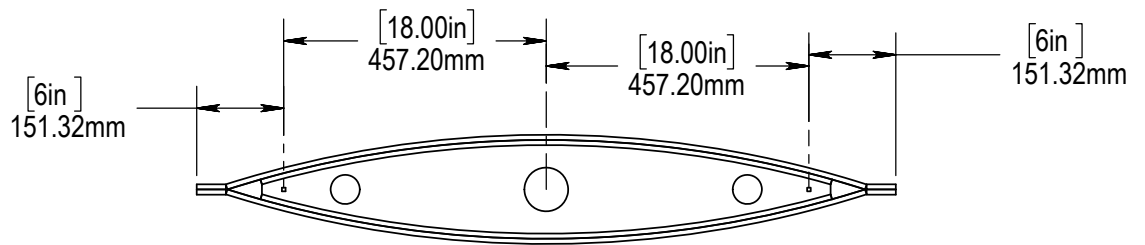
The Canoe BafI comes with two perfectly placed and pre-installed T-Nuts for easy connectivity and quick install. Threaded Rod, Coupling Nut and Cable Grippers are included. The ceiling fastener is provided by an installer based of a ceiling type.

Variation

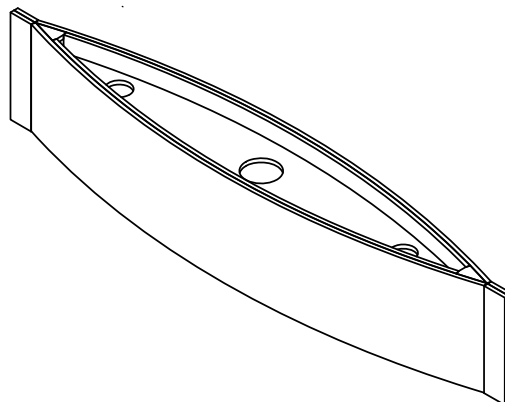
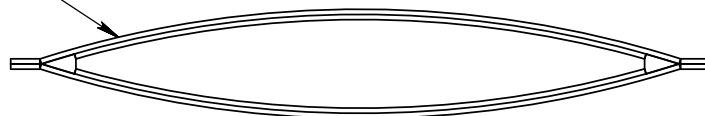
PET Felt uses a traditional 'felting' process to create its panels. This often results in a pleasing "heathered" effect, where multiple tones are present in the fiber. Slight and consistent variations in color should be expected when using this sustainable recycled material.

* Two-year limited warranty guarantees all of our products are free from defects in the materials and maintain their quality of craftsmanship. See our "Terms and Warranties" sheet for full details.

CANOE BAFL - SMALL Dimensions



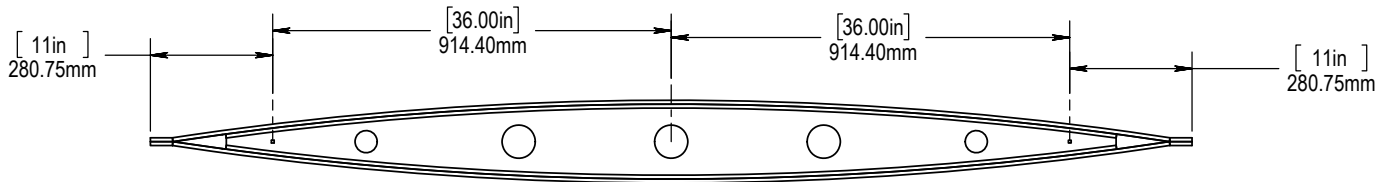
9 MM FELT



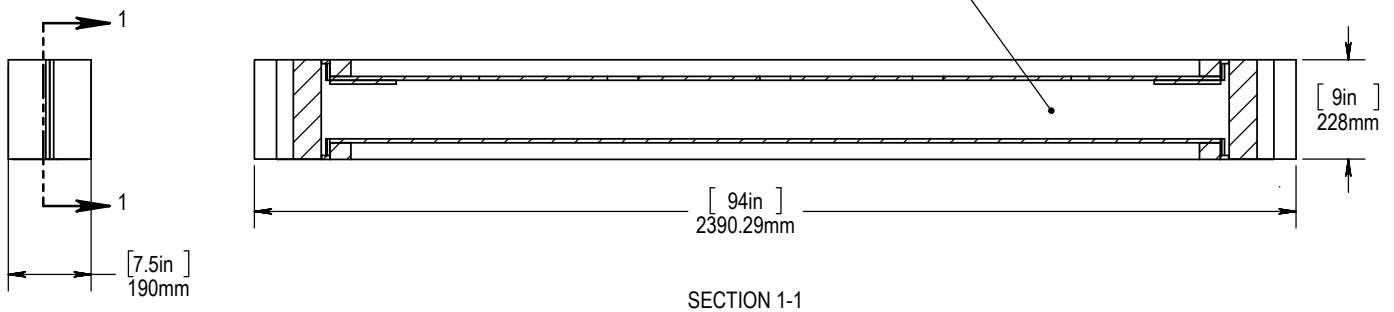


CANOE BAFL - LARGE

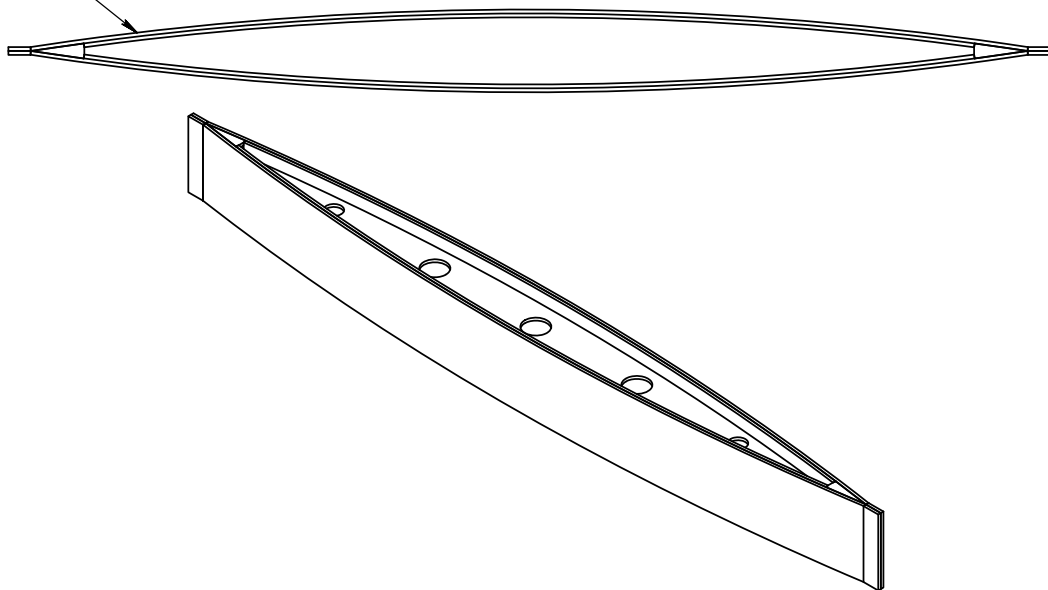
Dimensions



HOLLOW CAVITY FOR
MAXIMUM SOUND ABSORPTION



9 MM FELT



* Two-year limited warranty guarantees all of our products are free from defects in the materials and maintain their quality of craftsmanship. See our "Terms and Warranties" sheet for full details.

