



WAFL BAFL - LIT or NON-LIT

Acoustical Ceiling Baffle

WAFL baffle is an acoustical ceiling fixture that provides diagonal shape and dimension to an exposed industrial or gypsum ceiling. Each 4'x4' pre-assembled module is easily attached to unistrut channel or into decking using aircraft cable and then fastens together to make a repeatable waffle grid. The unique folded felt pattern gives the lightweight shape rigidity and thickness while the material and geometry provide excellent NRC performance. The WAFL baffle also has an option to accept a 4' linear LED light that creates direct downlight with the appearance of an indirect illuminated glow.

Application	Ceiling
Environment	Environmental Product Low VOC Post-Consumer Recycled Content 100% Recyclable
Content	100% PET (55% recycled content)
NRC Rating	0.75
Dimensions	47"L x 47"W x 12"H
Product Weight	16 lbs
Flammability	ASTM E84 Class A or B

Installation

Modular lightweight design allows for flexible mounting to channel or open deck using aircraft or threaded rod. Most mounting hardware included.

Country of Origin

USA

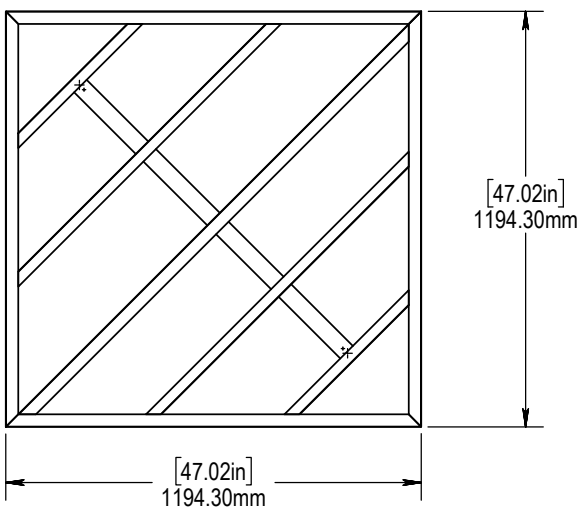
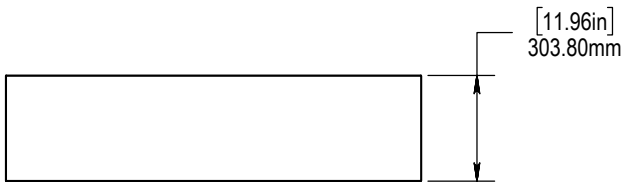
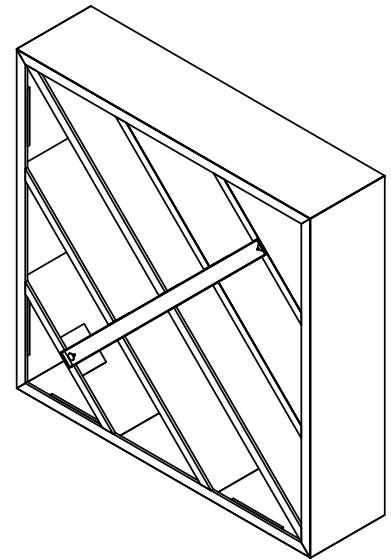
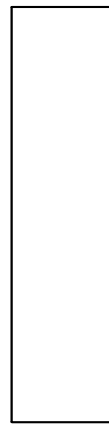
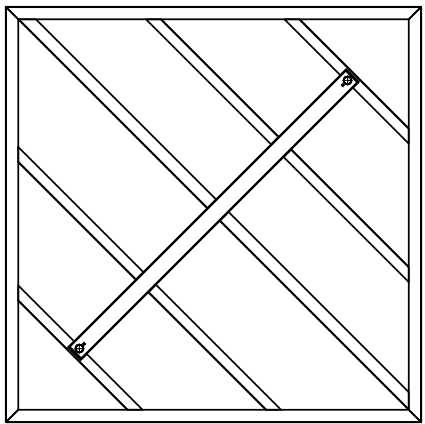
Warranty

*Limited 2 Years



* Two-year limited warranty guarantees all of our products are free from defects in the materials and maintain their quality of craftsmanship. See our "Terms and Warranties" sheet for full details.

WAFL BAFL - LIT Dimensions



LIT WAFL BAFL

MATERIAL : PET 9MM

LIGHT: L23PSF44LJ28W4400LDMV

24"L x 2"W x 3"H / Frosted Lens / 28W,
1300L / 0-10V Dim / 4000K / White / 6ft
WH Canopy Kit with 5 Wire Cord

Dimensions

