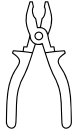


CANOE BAFL Installation

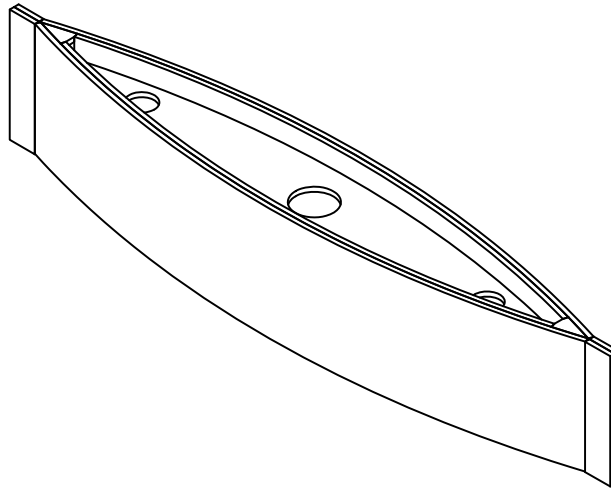
These installation suggestions consist of a common process for CANOE BAFL installation. Installers should rely upon their own professional experience and understanding of their unique requirements to ensure a successful install.

Tools Needed

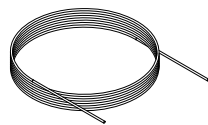


Cable Cutter

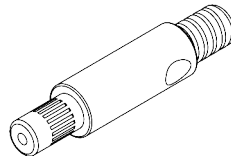
Items Included



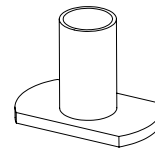
CANOE BAFL



Aircraft Cable



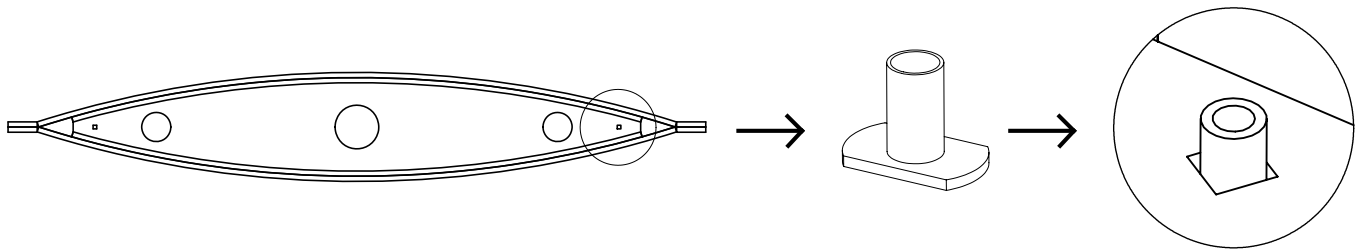
Griplock



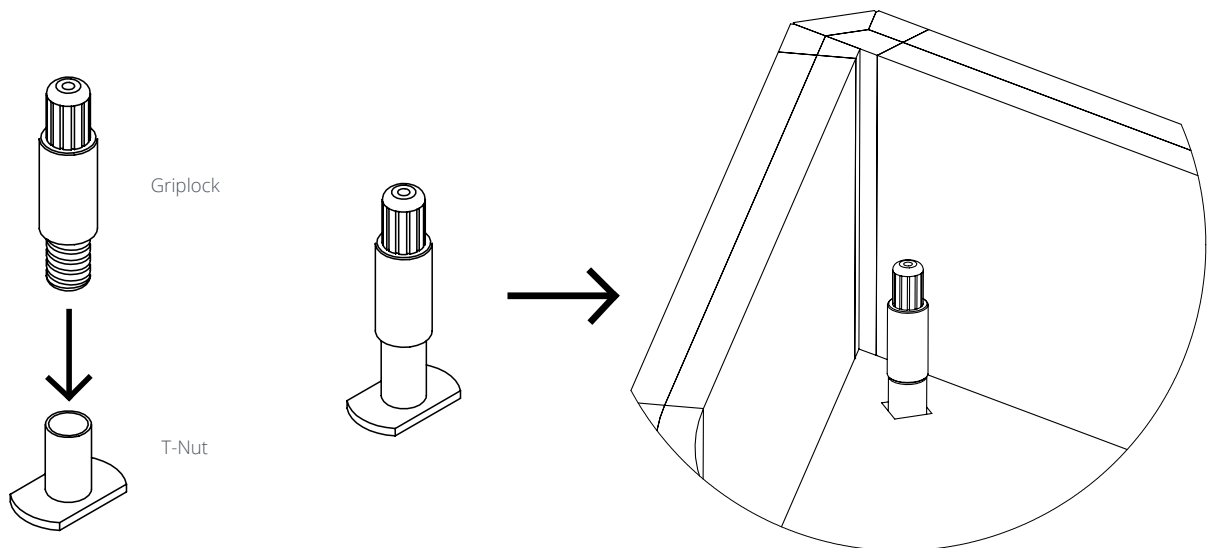
T-Nut

1. If CANOE BAFL already has both T-Nuts pre-installed, proceed to step 2. Continue with step 1 if T-Nuts need manual placement.

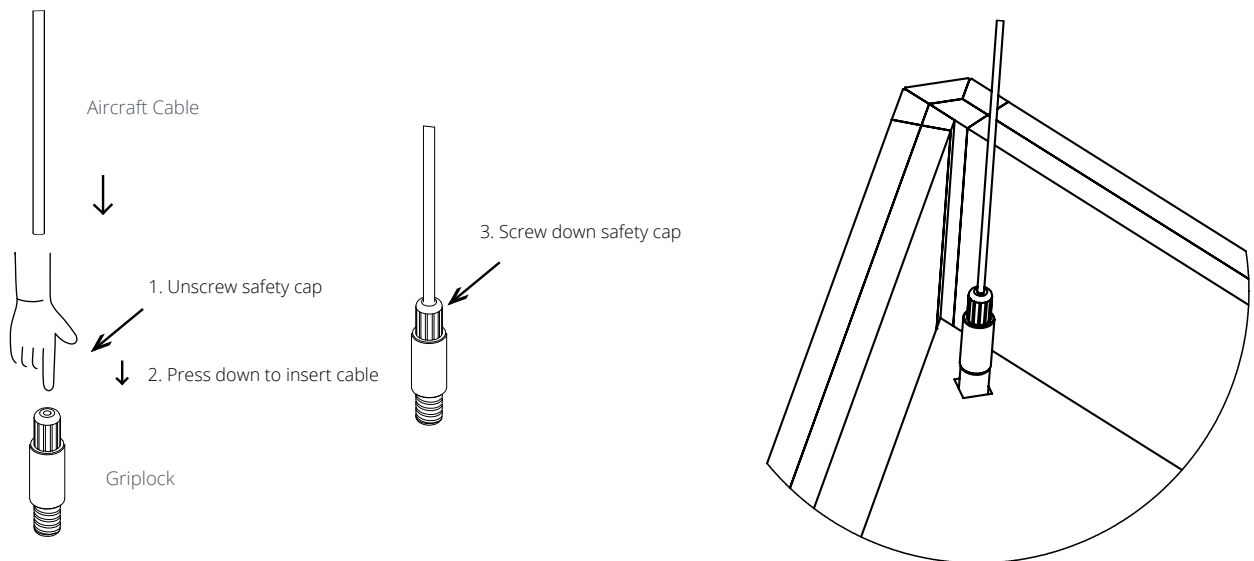
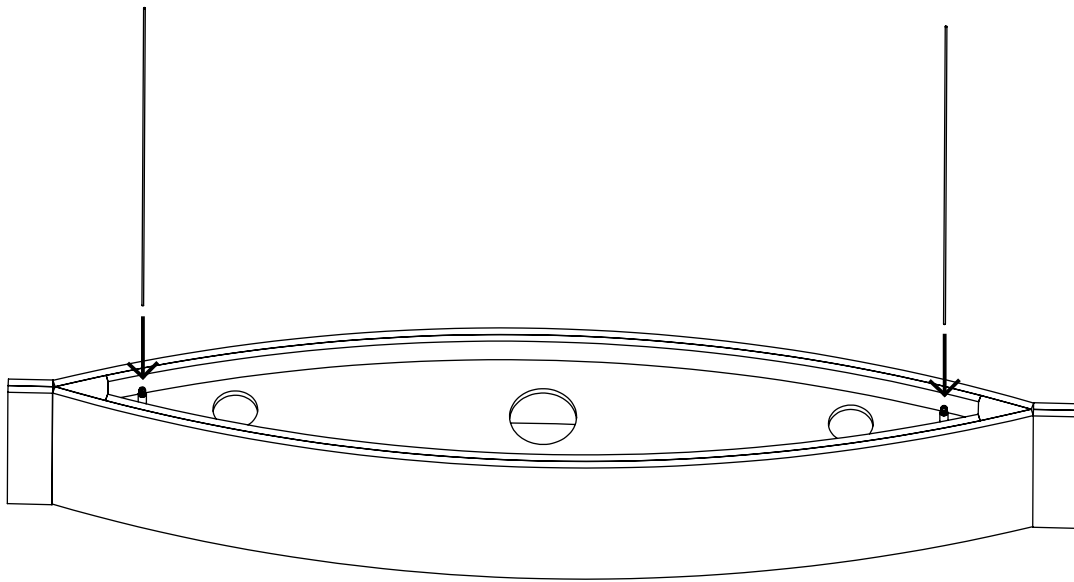
Take the T-Nut and place under the top layer of material through the hole on both ends of the CANOE BAFL. Reach through the bigger hole from the top to insert the T-Nut from the underside.



2. Screw the Griplock into the T-Nut while the T-Nut is inserted inside the hole. Do this for both ends of the CANOE BAFL.



3. Install the Aircraft Cable into each Griplock on both ends of the CANOE BAFL. Tighten the top of the Griplock to ensure each cable is secure.



4. Finish the installation.

