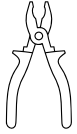


TRI BAFL Installation

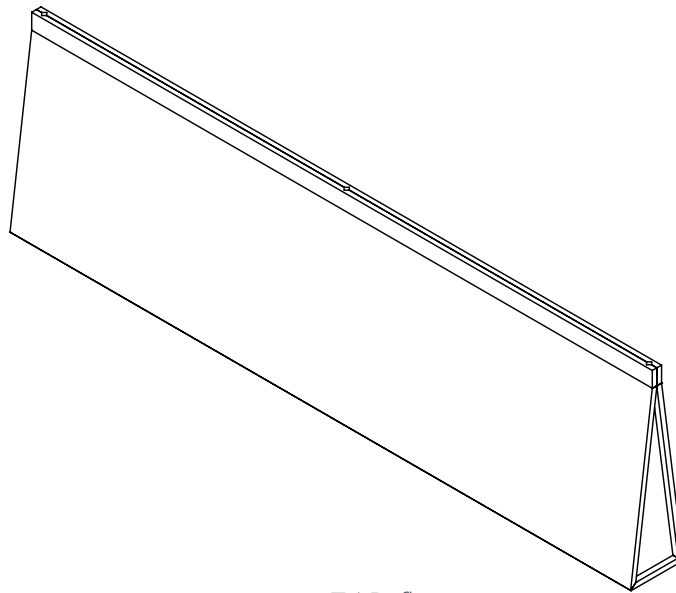
These installation suggestions consist of a common process for TRI BAFL installation. Installers should rely upon their own professional experience and understanding of their unique requirements to ensure a successful install.

Tools Needed

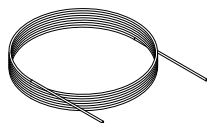


Cable Cutter

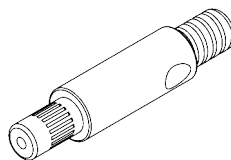
Items Included



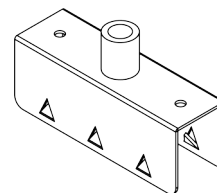
Tri BafI



Aircraft Cable

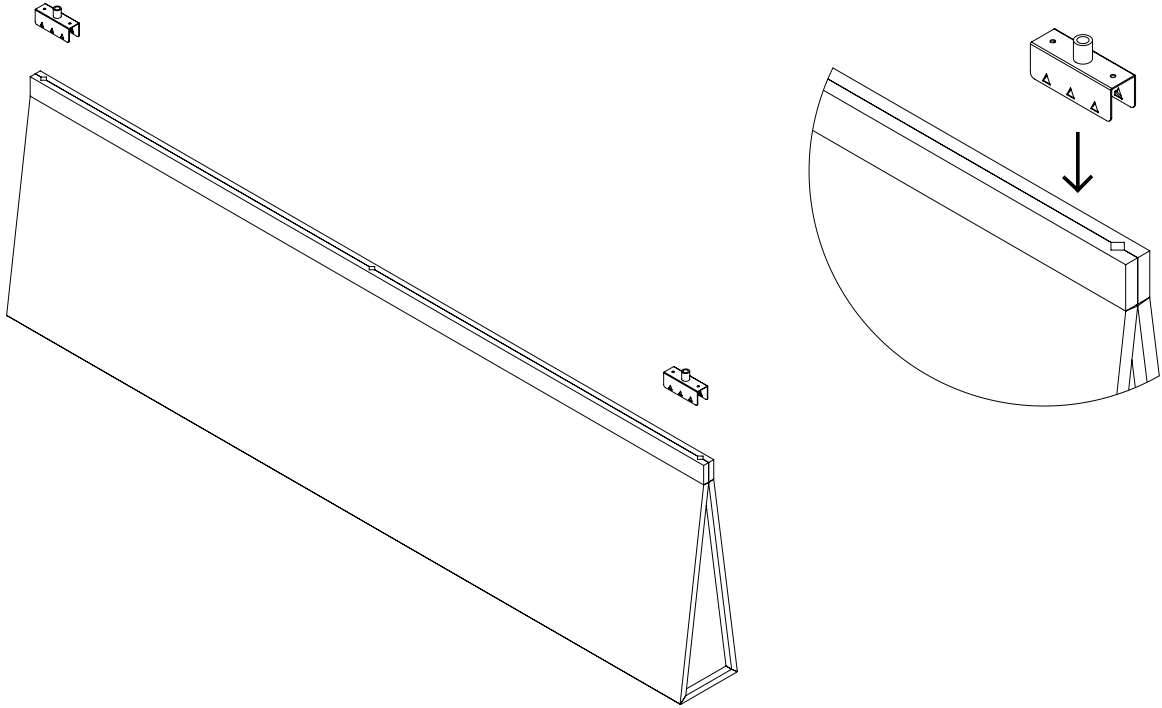


Griplock

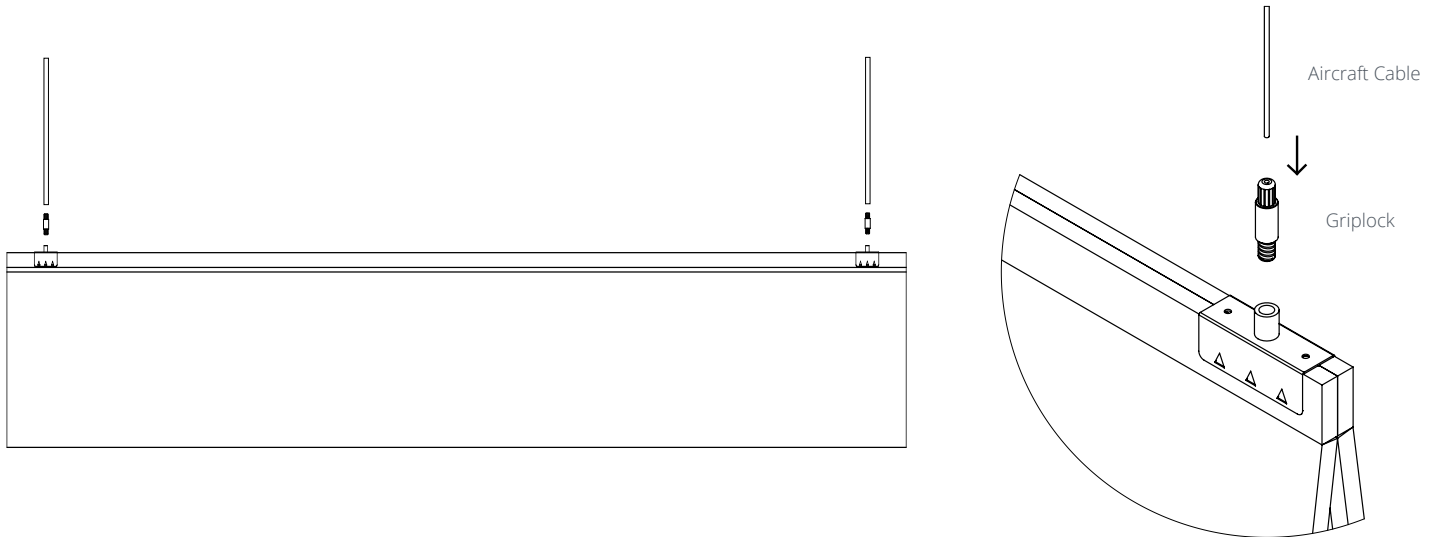


Straight way Bracket
with Thread

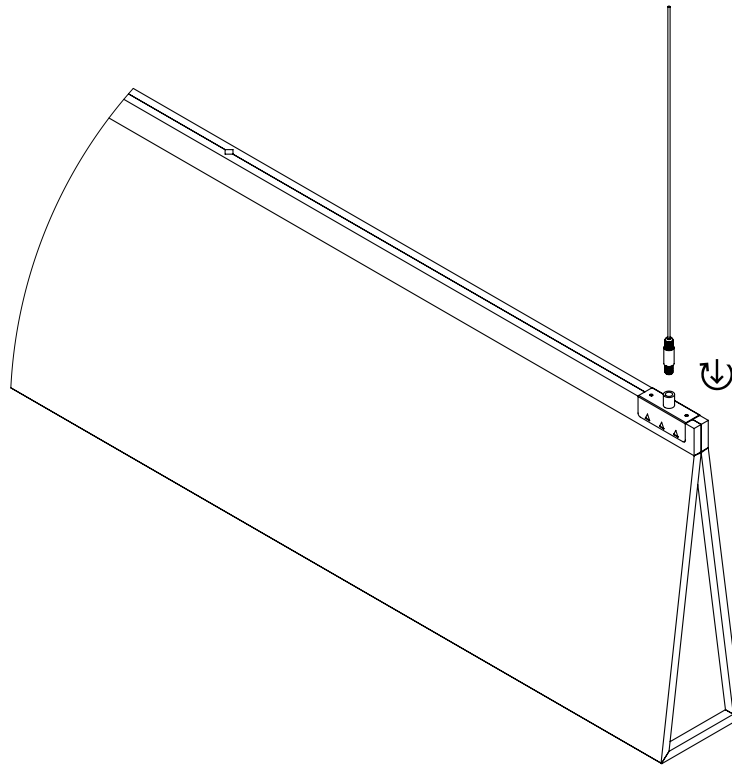
1. Locate where the two spike brackets need to be placed. Recommended 6in away from each side. Slide the spike bracket from the top and it will grip into the material.



2. Insert the Aircraft Cable into the Griplock. Cut the excess wire if needed.



3. Insert and screw the Griplock on the Straight way Bracket with Thread.



4. Finish the installation.

