

PLANK Installation

Acoustical Wall Panels

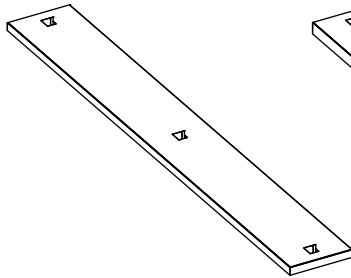
These installation suggestions consist of a common process for tile installation. Installers should rely upon their own professional experience and understanding of their unique requirements to ensure a successful install.

Tools Needed

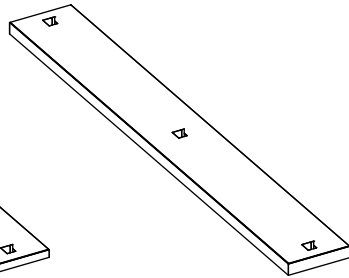


Drill

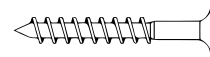
Items Included



Plank 18mm (height)

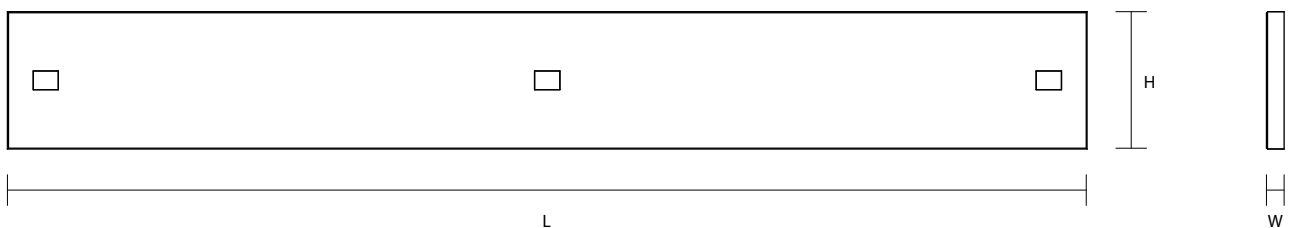


Plank 27mm (height)



Screws

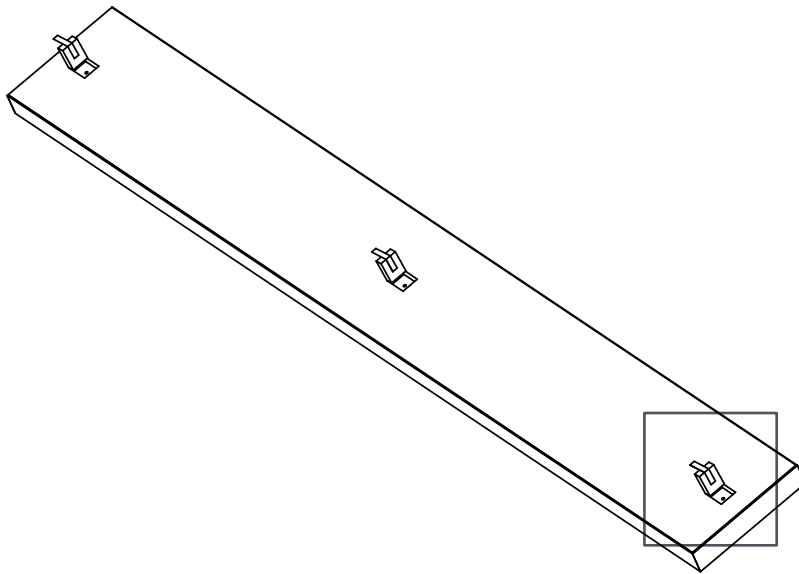
1. Unwrap Plank from plastic wrap. Confirm tile dimensions match your needs.



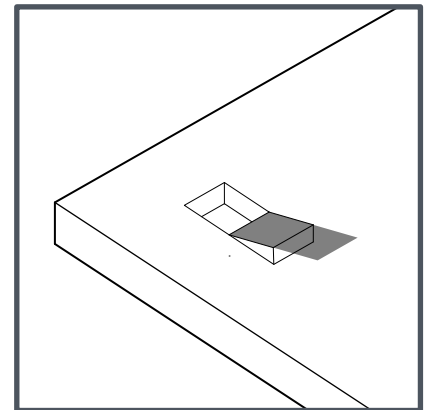
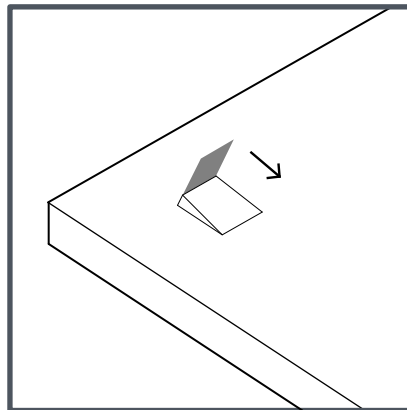
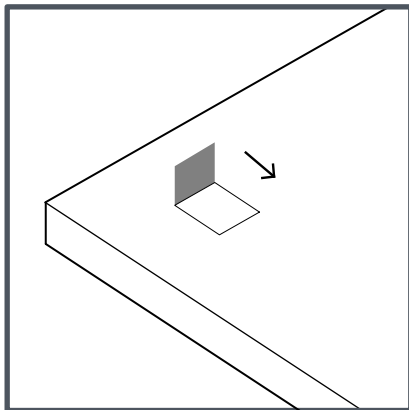
PLANK Installation

Acoustical Wall Panels

2. Locate STD strips at all three areas and pull it to open the STD. (Secret Trap Door)



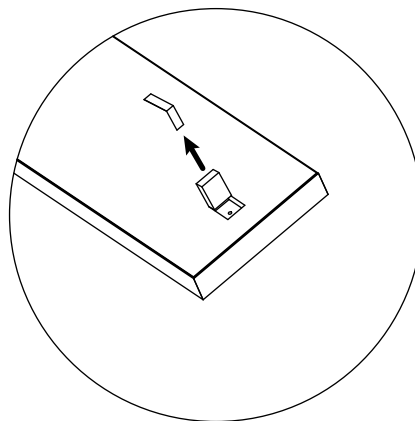
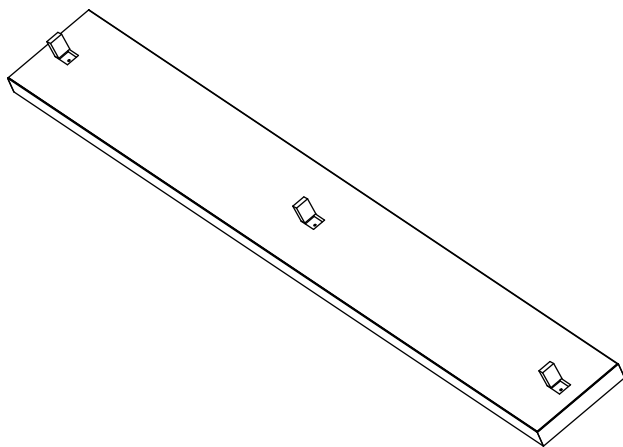
3. How to open the STD.



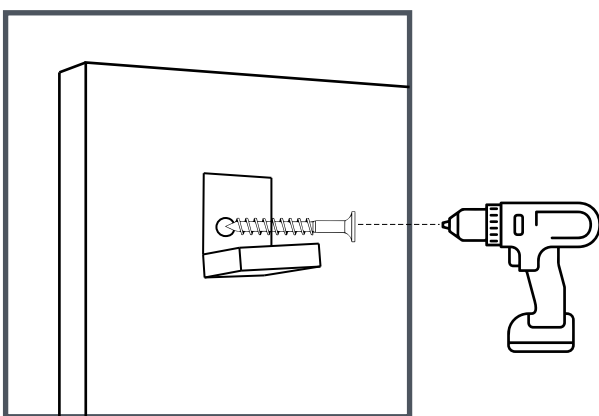
PLANK Installation

Acoustical Wall Panels

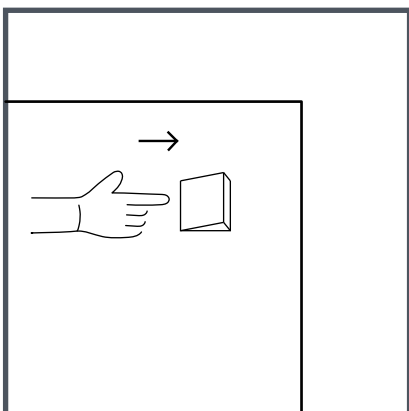
4. Remove all of the STD strips before installation.



5. Use the drywall screw to mount.



6. Close the door to finish installation



PLANK Installation

Acoustical Wall Panels

7. Sample Layout Views

