

## BOX LIGHT Installation

### Acoustical Lit Cloud

These installation suggestions consist of a common process for BOX LIGHT installation. Installers should rely upon their own professional experience and understanding of their unique requirements to ensure a successful install.

Confirm your Unistrut installation has been completed. Consult with a professional about a proper Unistrut installation for your ceiling type (concrete vs. sheet-rock).

### Tools Needed

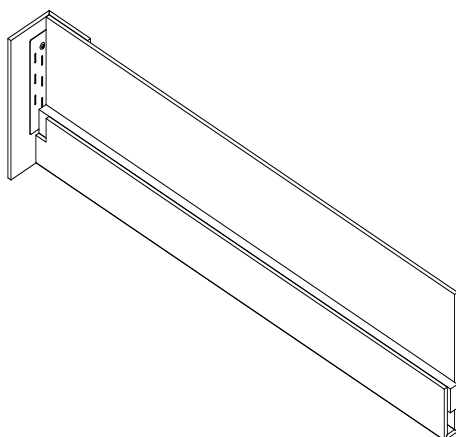


Drill

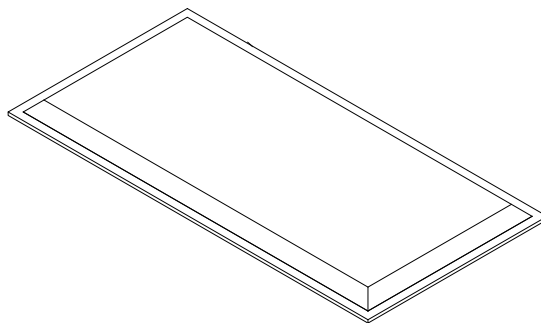


Cable Cutter

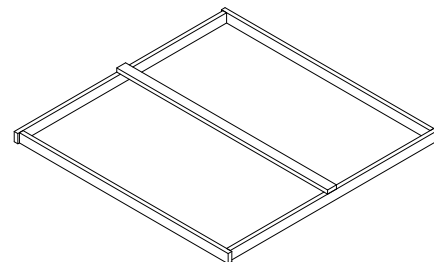
### Items Included



Cloud Sides



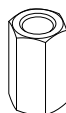
Light



Poplar structure



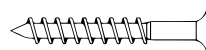
Hanger Bolt



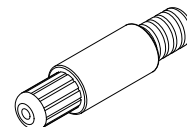
Coupler Nut



Threaded Rod



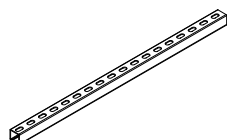
Screws



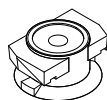
Griplock



Hanger Bolt Driver  
(IVY classic)



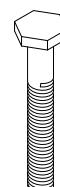
Unistrut  
Installed



Nylon Cone Nut



1/4-20 Nut

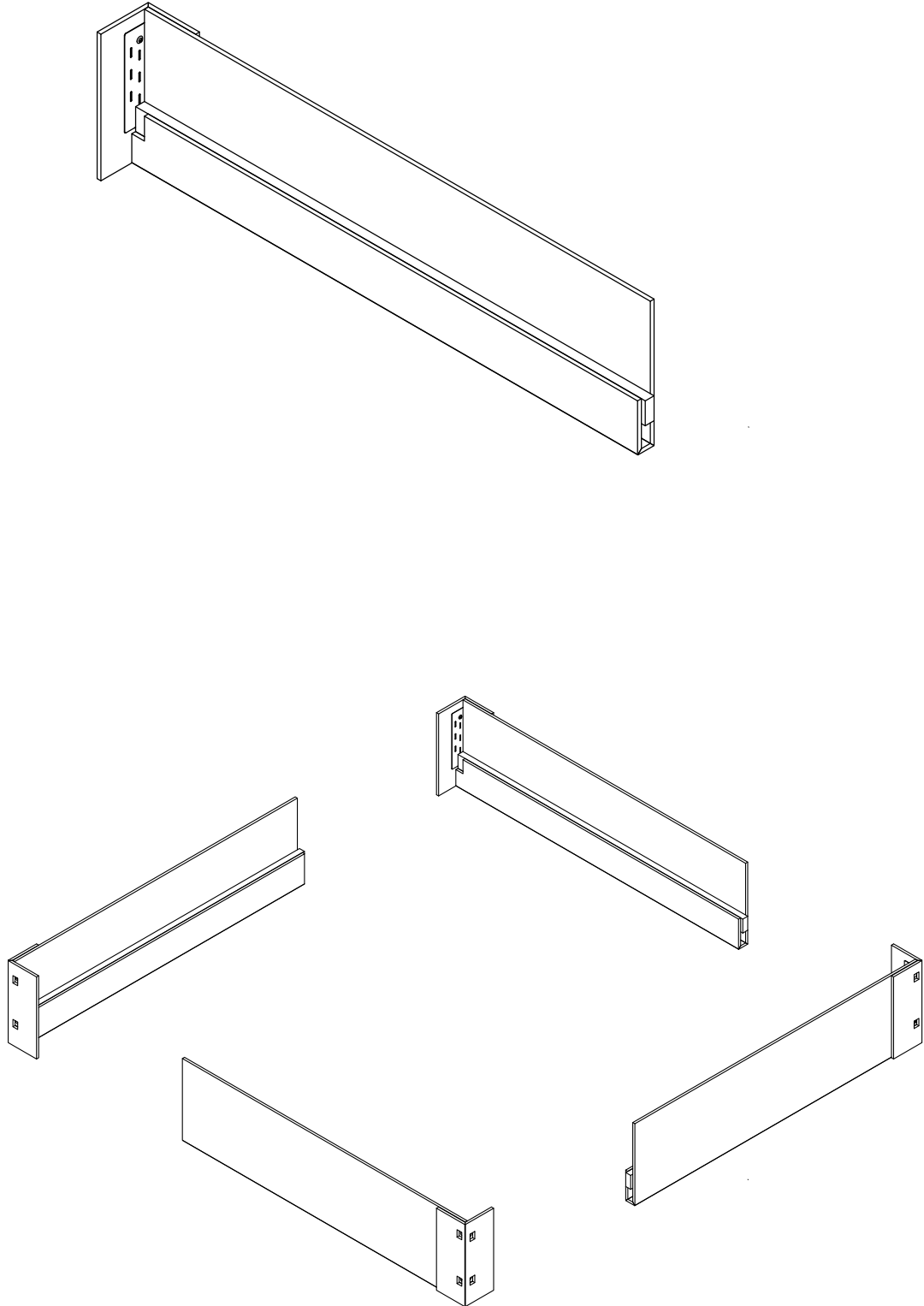


1/4-20 Bolt

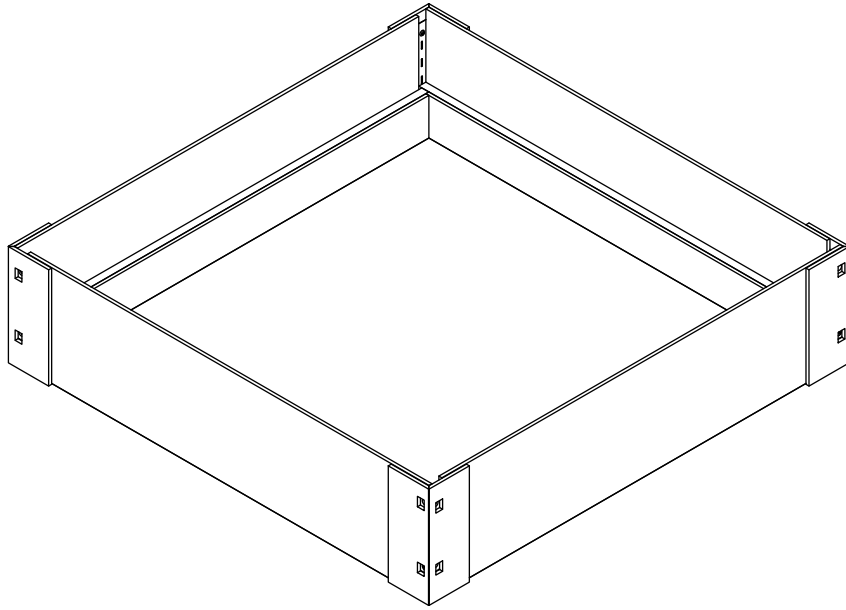


Fender  
Washer

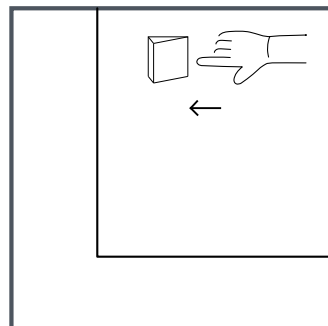
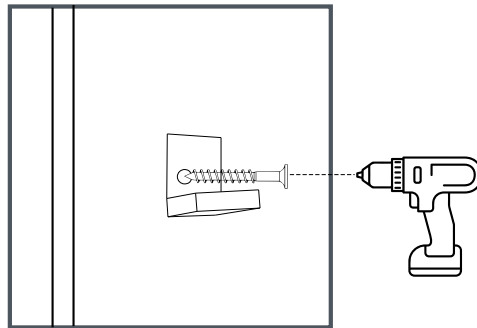
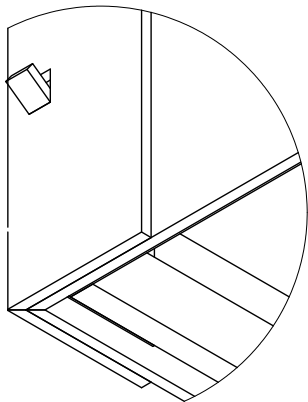
1. Unwrap (4) BOX LIGHT Cloud Sides from plastic Wrap. Confirm cloud dimensions match your needs.



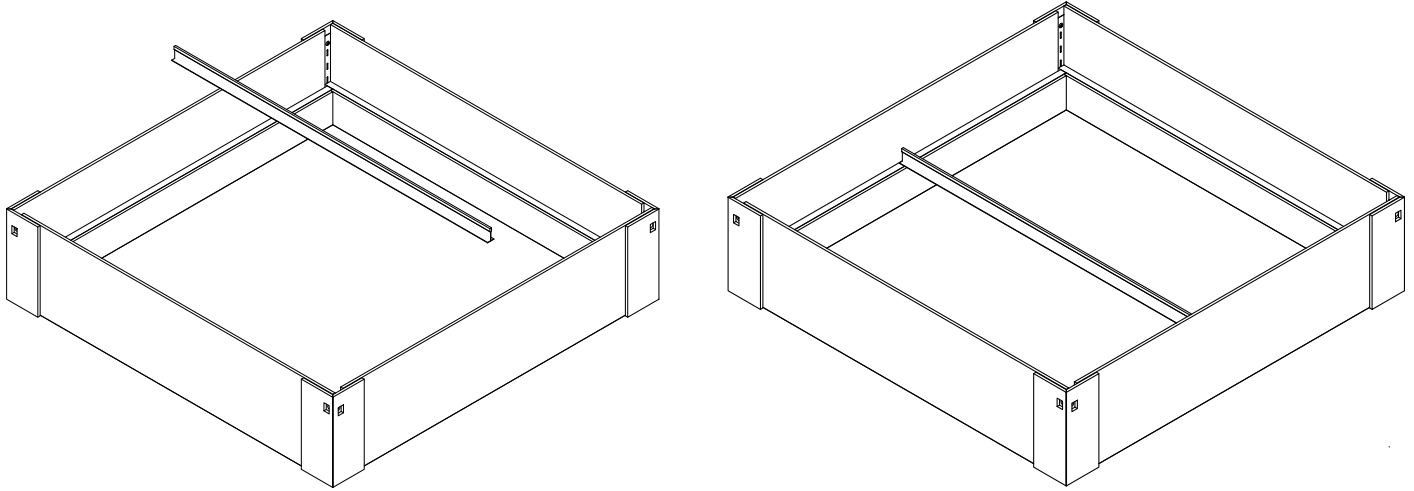
2. Take each cloud side and butt up each of them with another one to make a square shape



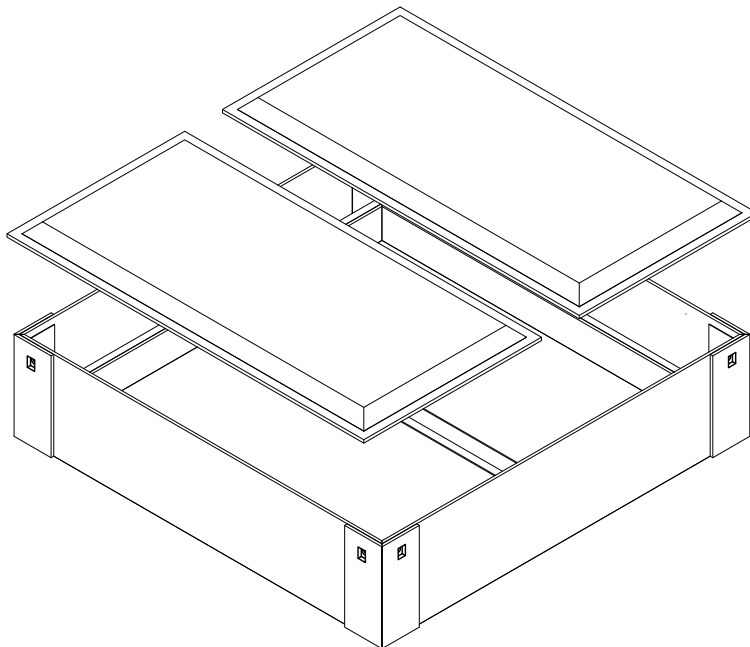
3. Open the **lower** secret trap door (STD) on the **bottom** - the upper secret trap doors will be used later. Secret trap door is located at the four corner of the cloud and aligned with the poplar. Use the drywall screw to mount, and close the door to finish.



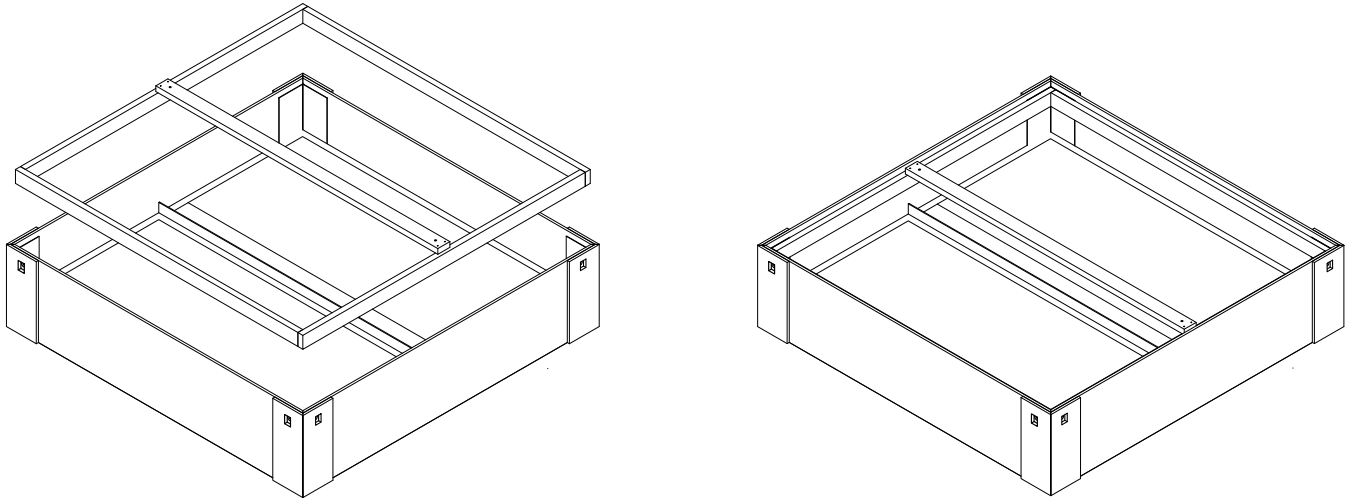
4. Position the steel Tee in the middle to install the light.



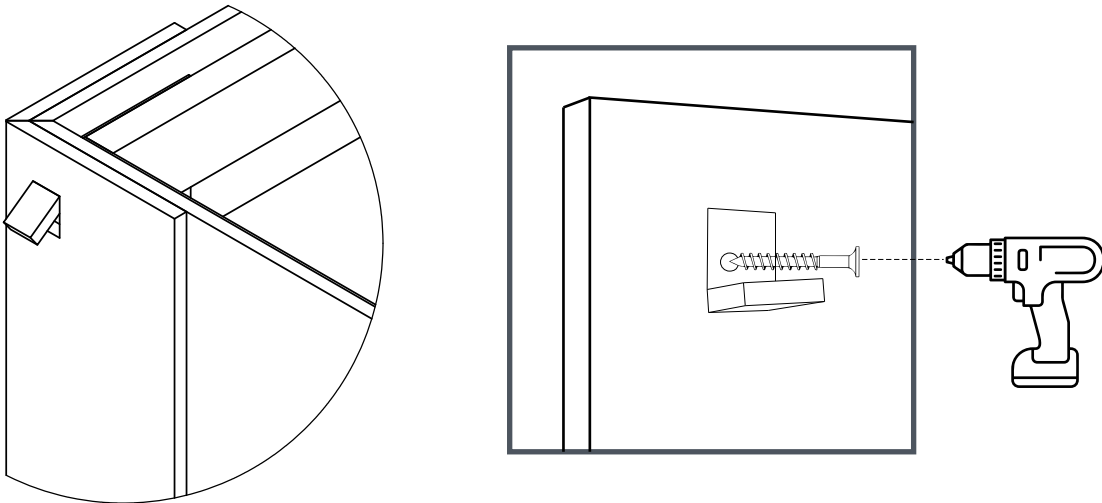
5. Insert the light from the top side of the cloud and place it securely.



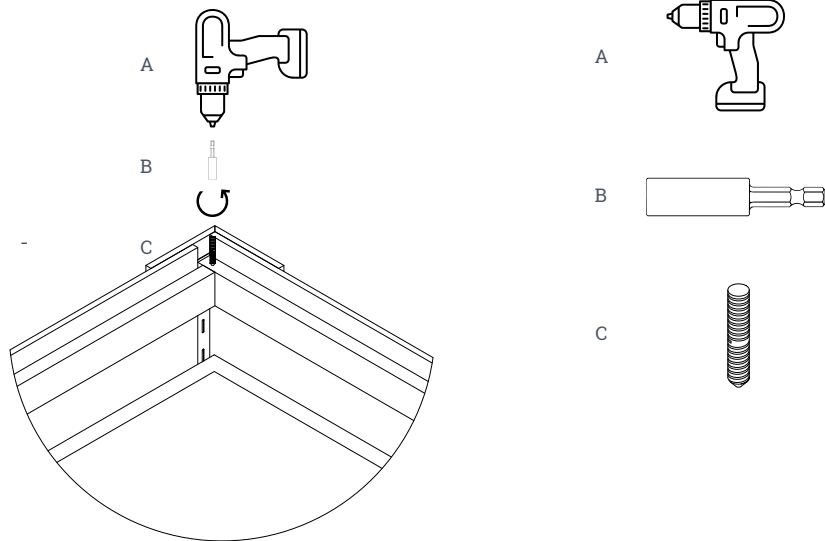
6. Once the light is placed put the poplar frame back on the cloud. Align the frame with the inside metal frame.



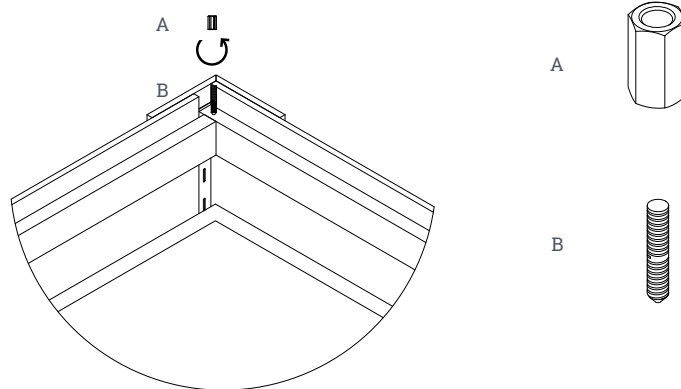
7. Open the **top** Secret Trap Doors (STD) on the **upper** portion. The Secret Trap Door is located at the four corners of the cloud and aligned with the poplar. Use the drywall screw to mount. Close the door over the screw once it is secured to finish.



8. Make a pilot hole in each corner. Use 1/4" - 20 hanger bolt driver tool to drive hanger bolt into place, leaving 1/2 of the 1/4" - 20 threads exposed.



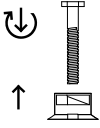
9. Screw the coupling nut all the way on to the hanger bolt.



10. Install threaded rod from the Unistrut.



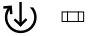
1. Screw the bolt to go inside cone nut



2. Insert the Fender washer



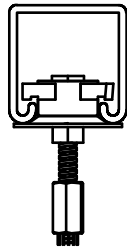
3. Screw the nut to the bolt



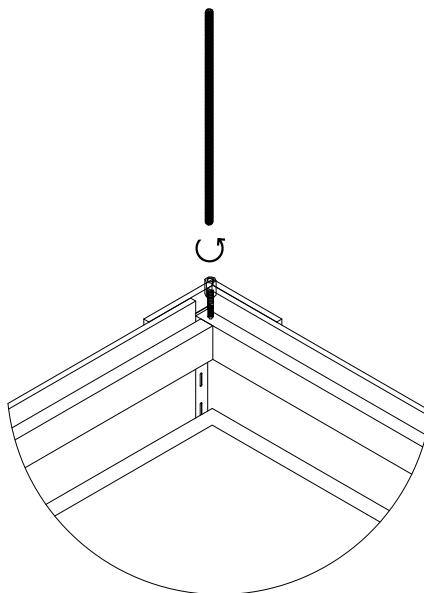
4. Screw the pre-installed coupling nut to the bolt



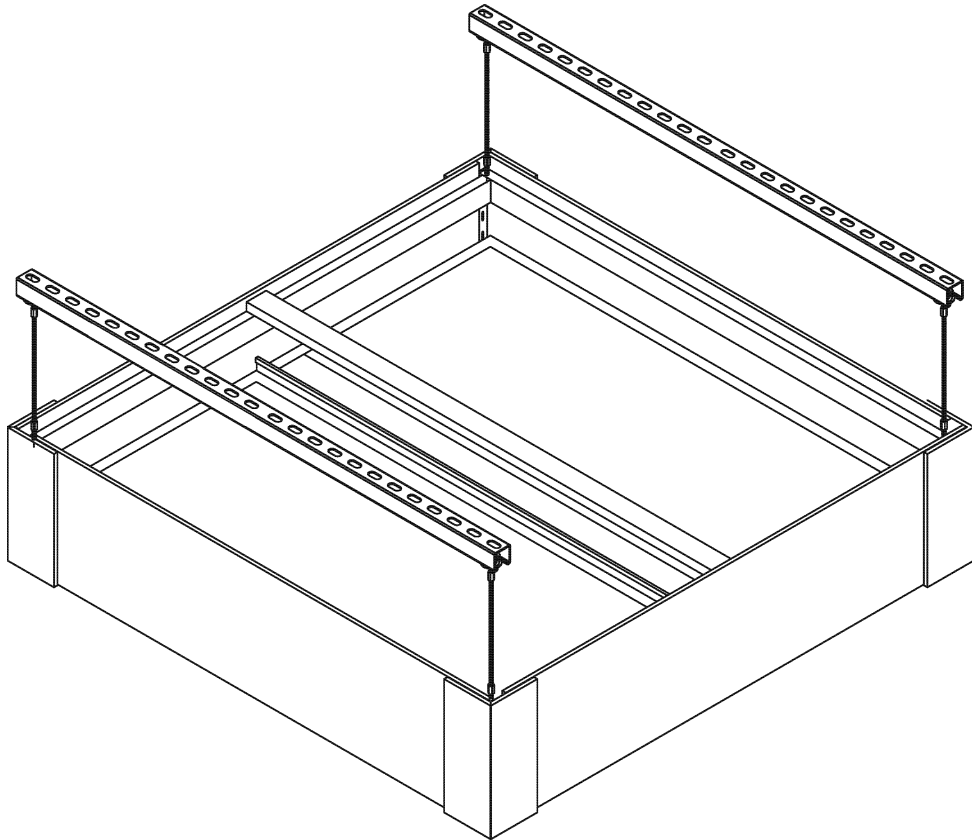
Threaded Rod



11. Screw the threaded rod coming from the top.



12. Finish the installation.





## DIMENSIONS

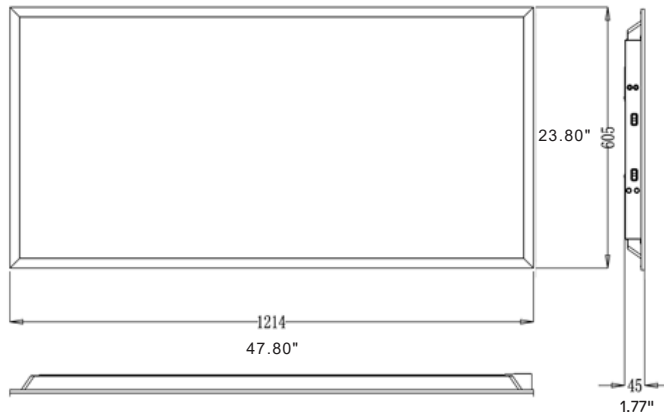
2x4 - 47.80"L x 23.78"W x 1.77"H

## FEATURES & BENEFITS

- Same size and appearance of legacy edge-lit LED panels, but with LED back lighting instead – greater efficiency, longer life diffuser, elimination of edge-lit construction issues
- Suitable for general illumination in residential, institutional and commercial interiors
- Evenly illuminate the entire surface of panel with soft, uniform light
- Provides 120 degree beam angle
- Sturdy frame prevents warping
- 2x4 offered in 30W, 40W and 50W
- Multiple Kelvin temperature options (3500K, 4000K, 5000K)
- Suitable for dry or damp locations
- >50,000 hrs of L70 LED life
- External emergency battery backup
- CRI >80
- 0-10 Volt dimmable 120-277V
- Power factor >0.90
- 5 year warranty

## LED Back Lit Flat Panel

2x4



**BFP**      **24L** 47.80"L x 23.80"W x 1.77"H **40M4400M**      Defaulted 40Watts / 4400 Lumens      **DMV**      0-10V Dimming      3500K, 4000K, 5000K on a 3-positions switch  
 30 Watts / 3300 Lumens,  
 40 Watts / 4400 Lumens,  
 50 Watts / 5500 Lumens options  
 on a 3-positions switch.

## PERFORMANCE DATA

SETTING	3500K			4000K			5000K			
	WATTAGE (W)	DELIVERED LUMENS	EFFICACY (lm/W)	WATTAGE (W)	DELIVERED LUMENS	EFFICACY (lm/W)	WATTAGE (W)	DELIVERED LUMENS	EFFICACY (lm/W)	
2x4	LOW	30.00	3600.00	120.00	30.00	3600.00	120.00	30.00	3600.00	120.00
	MED	40.00	4600.00	115.00	40.00	4600.00	115.00	40.00	4600.00	115.00
	HIGH	50.00	5500.00	110.00	50.00	5500.00	110.00	50.00	5500.00	110.00

+/- 10% tolerance for data