

ALL DIMENSIONS IN INCHES UNLESS OTHERWISE NOTED (PER ASME Y14.5-2009)						
MATERIAL:	SEE BILL OF MATERIALS	WEIGHT(gm):	9786.14	DWN	AK	11/16/2020
				CHK	AK	11/16/2020
DESCRIPTION:	NON LIT 4X4 CLOUD			APV	AK	11/16/2020
PART NUMBER:	Non Lit cloud Type 2 NL assembly	REVISION	A	TOLERANCES UNLESS OTHERWISE SPECIFIED:		
SHEET SIZE	B	SHEET	1 OF 1	FRACTIONS	± 1/16"	RAD/CHAM ± 1/16"
					± 0.5	

fräsch!
THESE PLANS AND SPECIFICATIONS ARE THE PROPERTY OF FRASCH LLC AND SHALL NOT BE REPRODUCED WITHOUT THEIR WRITTEN PERMISSION

Cloud Installation (Non-Lit) - Unistrut Installation

Acoustical Cloud

These installation suggestions consist of a common process for cloud installation. Installers should rely upon their own professional experience and understanding of their unique requirements to ensure a successful install.

Confirm your Unistrut installation has been completed. Consult with a professional about a proper Unistrut installation for your ceiling type (concrete vs. sheet-rock).

Tools Needed

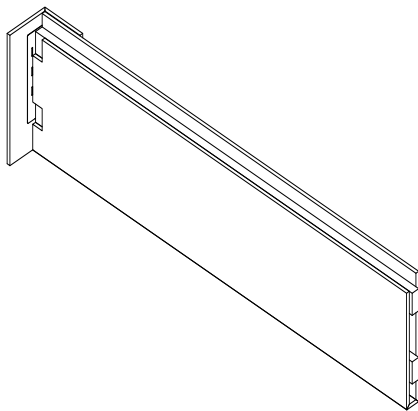


Drill

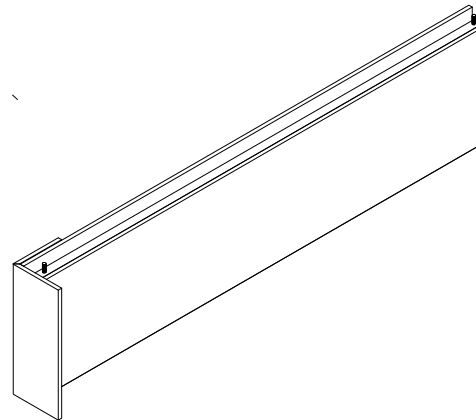


Cable Cutter

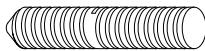
Items Included



(2) Non Lit Cloud Sides w/o hanger bolts



(2) Non Lit Cloud Sides with hanger bolts



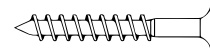
Hanger Bolt



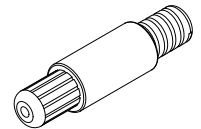
Coupler Nut



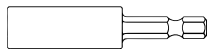
Threaded Rod



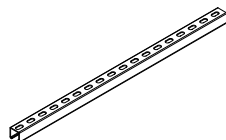
2" and 1-1/4" Screws



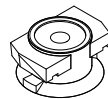
Griplock



Hanger Bolt Driver
(IVY classic)



Unistrut
Installed



Nylon Cone Nut

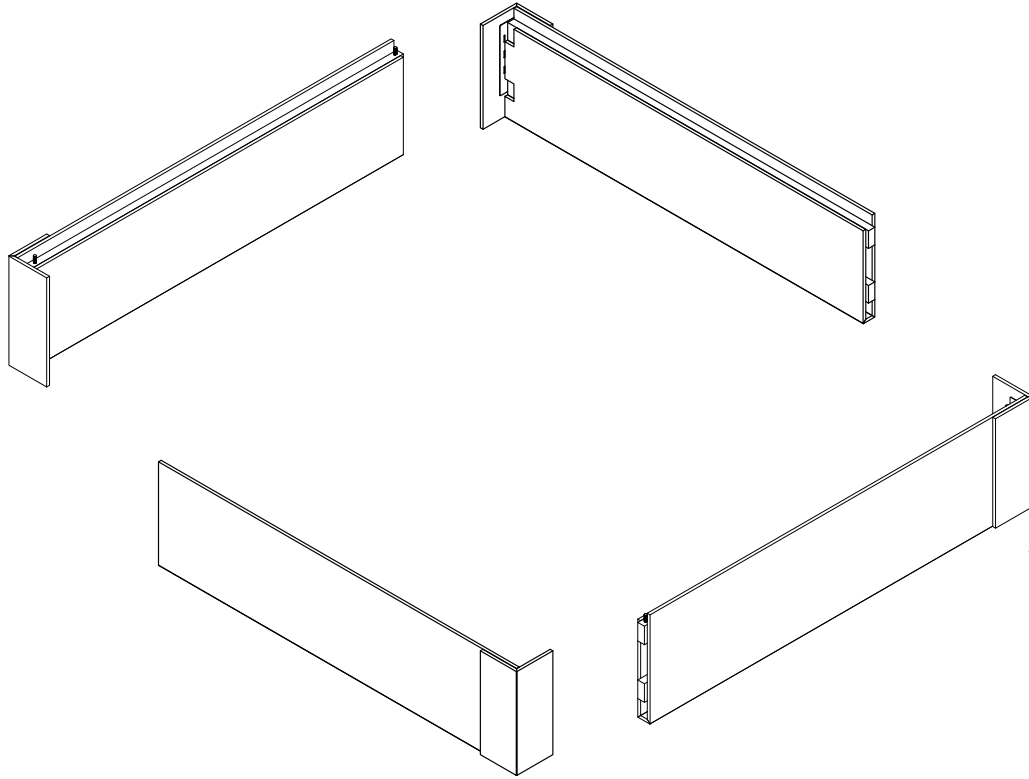


1/4-20 Nut

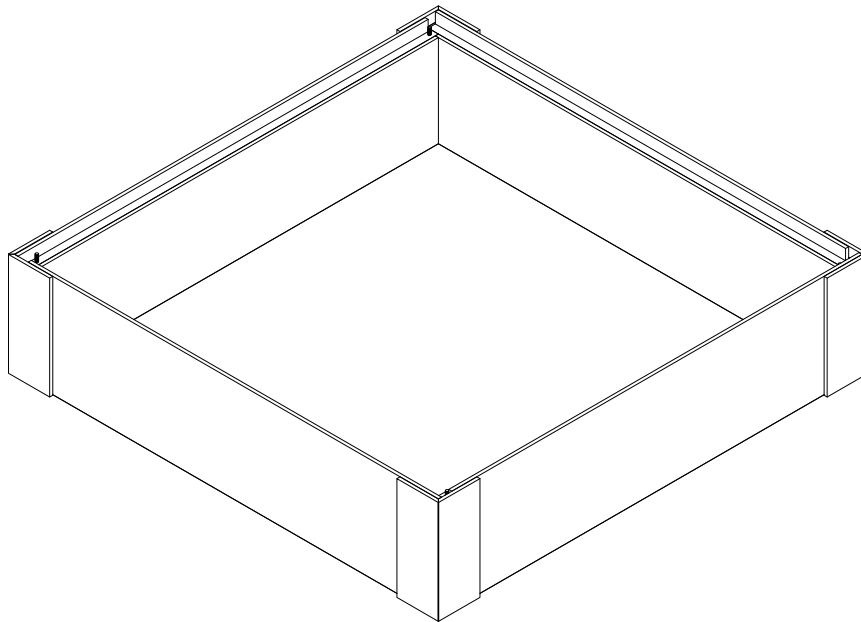


Fender
Washer

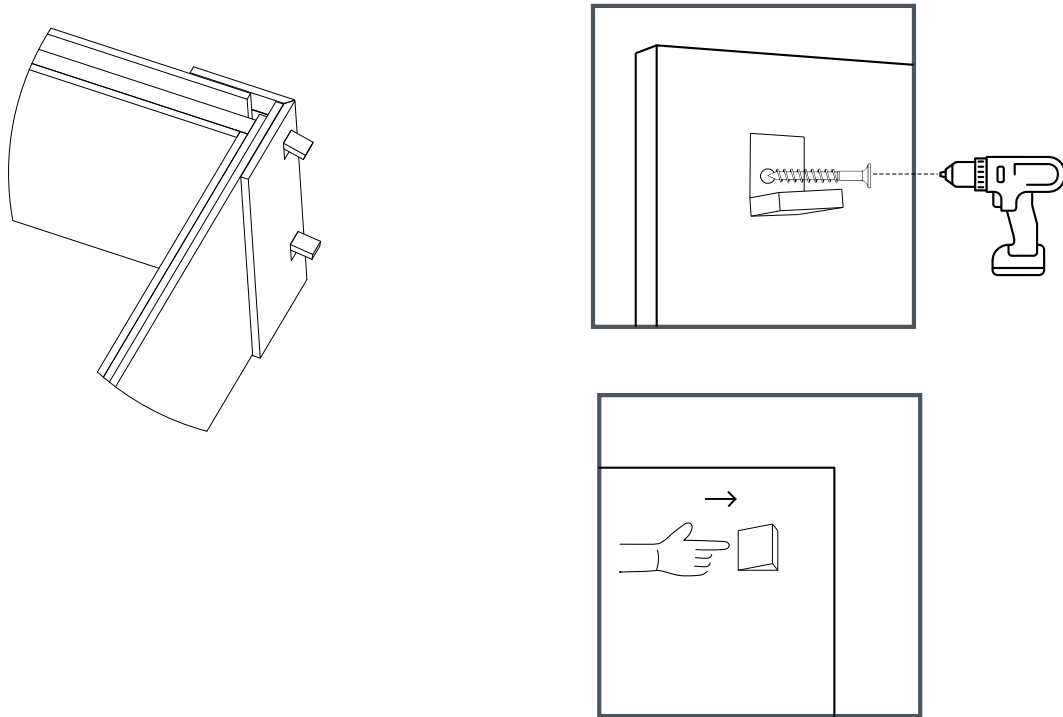
1. Unwrap (4) Non Lit Cloud sides from plastic Wrap (2) with hanger bolts and (2) w/o hanger bolts.



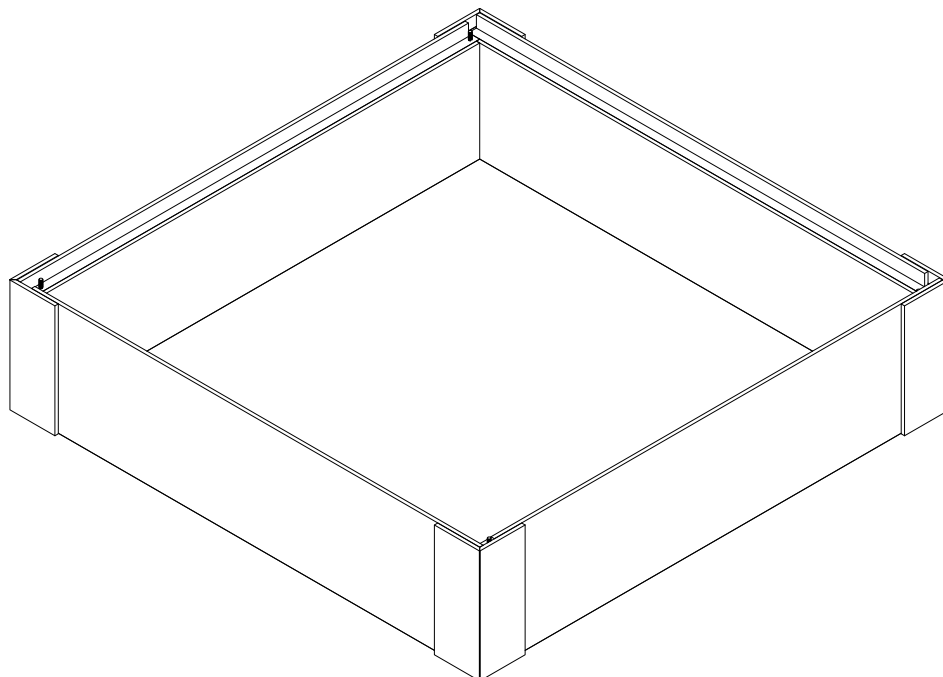
2. Butted up each sides with another one to make a square shape



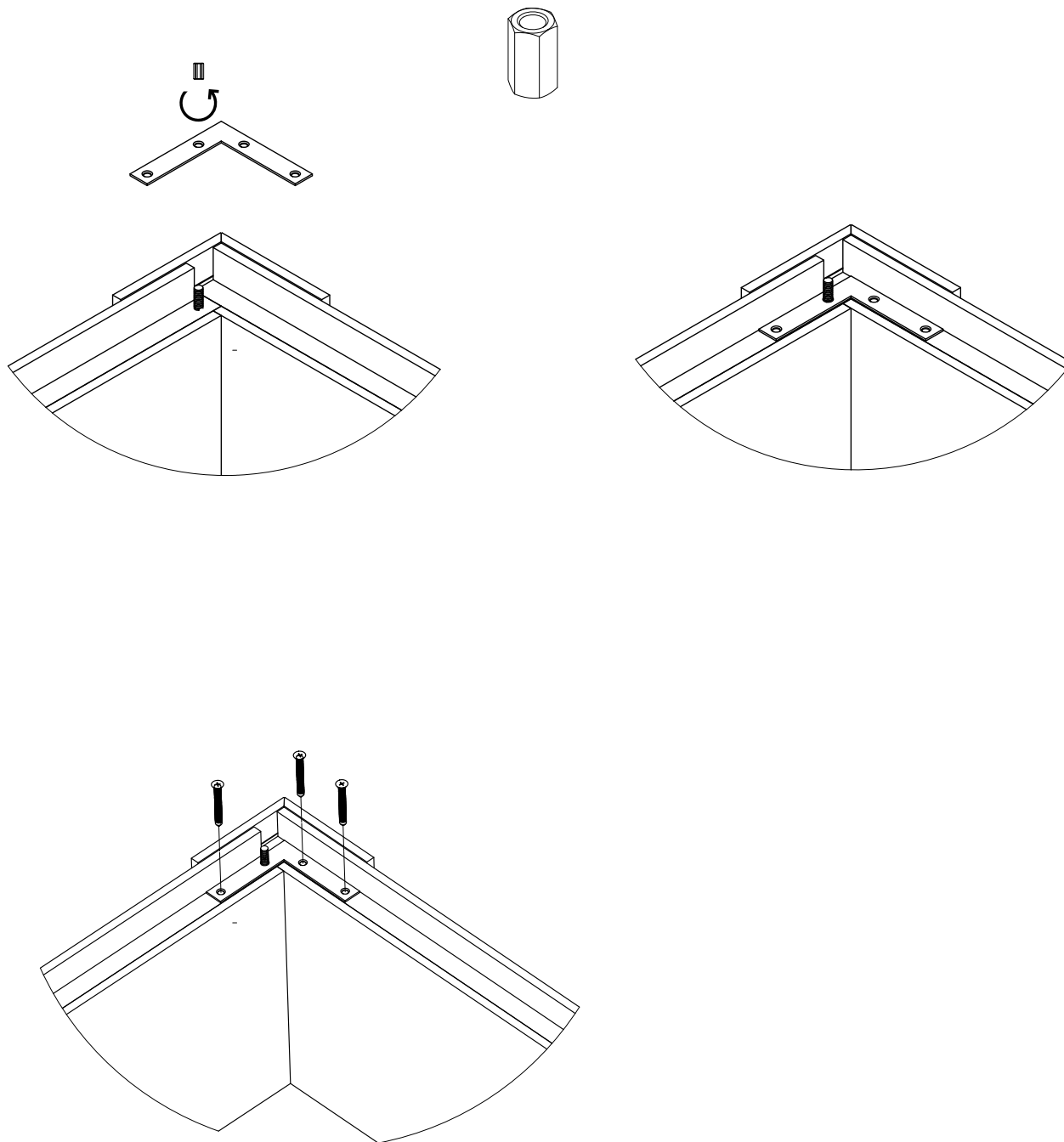
3. Open the secret trap door (STD) . Secret trap door is located at the two corner of the cloud and aligned with the poplar. Open the STD door using the strip attached to it .Use the 2" drywall screw to mount. Close the door to finish installation.



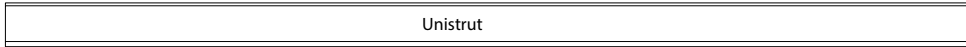
4. Align the hanger bolt location with pre-assembled unistrut location




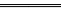
5. Align the L shape plate with the hanger bolt. Screw the coupling nut all the way on to the hanger bolt. Use (3) sheet rock screws to secure the plate to the cloud





6. Install Threaded Rod or Aircraft Cable from Unistrut.



↑  1. Screw the threaded rod to go inside cone nut

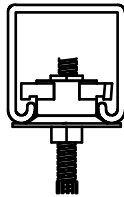
↑  2. Insert the Fender washer

↻  3. Screw the nut to the bolt

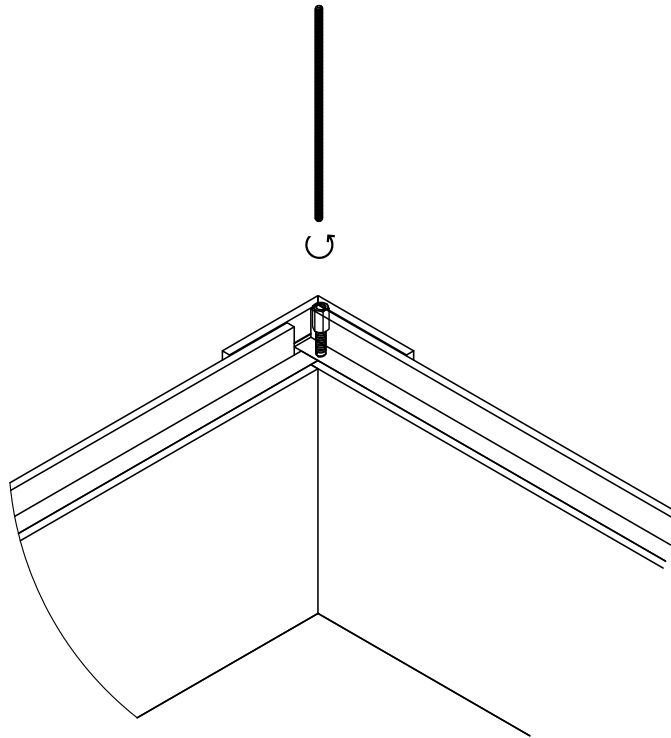
↻  4. Screw the pre-installed coupling nut to the bolt



Threaded Rod



7. Cut 1/4" threaded rod at desired length and screw in half way into the coupler nut.



8. Finish the Non-lit cloud installation.

