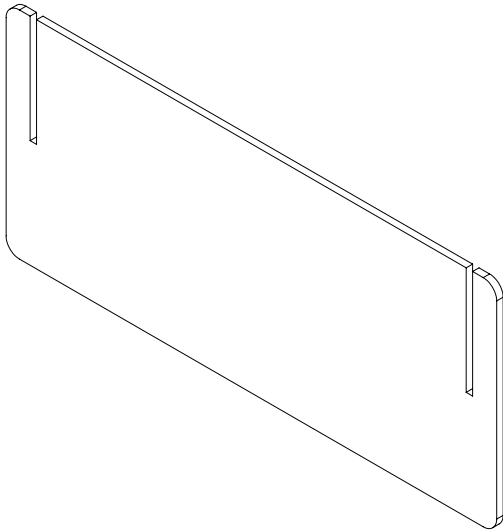


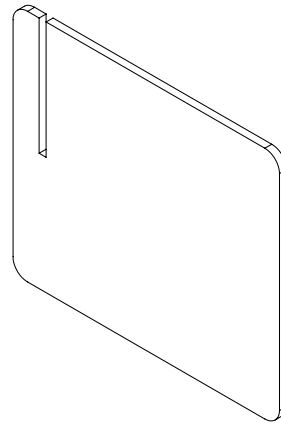
DIVI-MOBILE Installation

These installation suggestions consist of a common process for DIVI-MOBILE installation. Installers should rely upon their own professional experience and understanding of their unique requirements to ensure a successful install.

Items Included

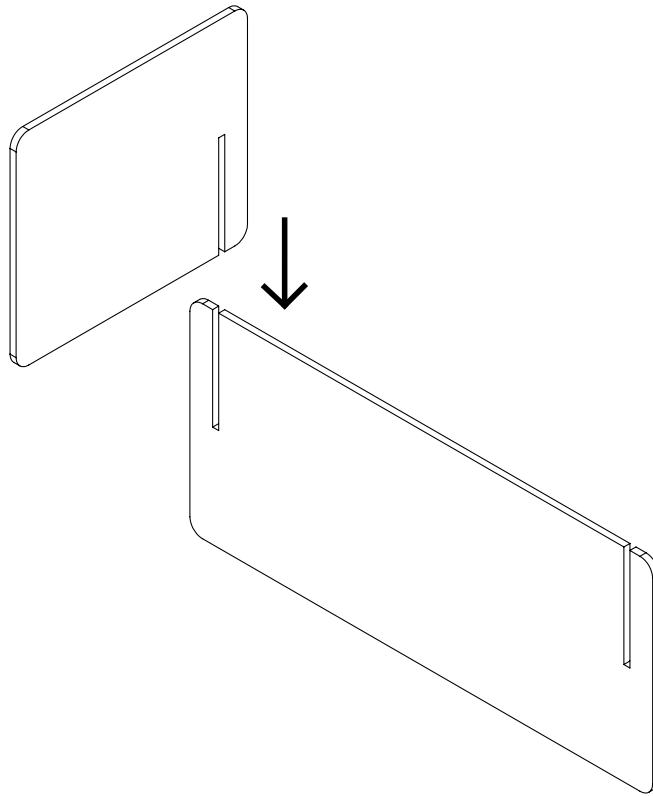


(1) DIVI-MOBILE back

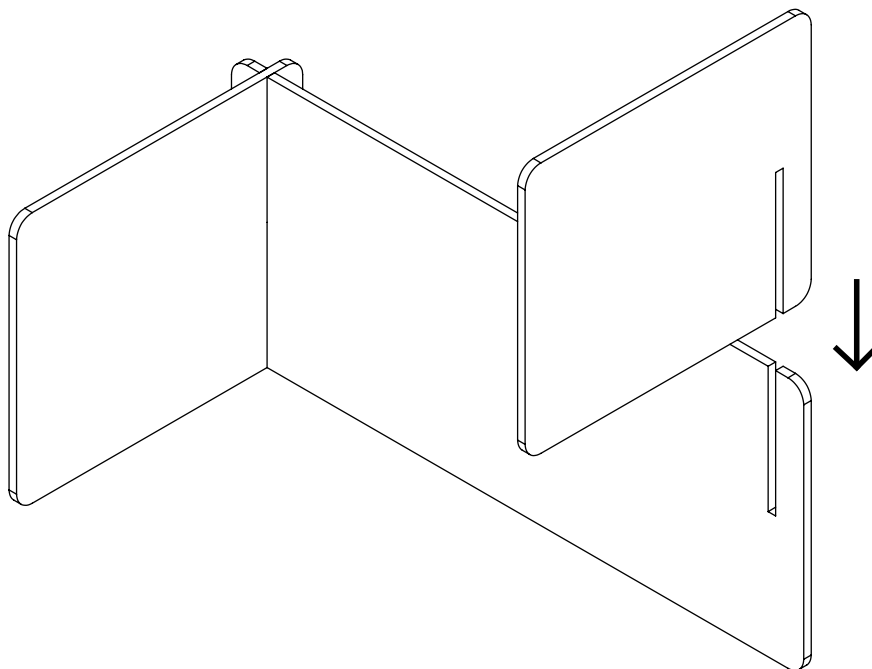


(2) DIVI-MOBILE sides

1. Take the DIVI-MOBILE back portion and stand it upright. Take one of the DIVI-MOBILE sides and slide it downward into the slot of the back portion to latch together.



2. Do this with the other DIVI-MOBILE side to complete assembly. Place DIVI-MOBILE on any desired surface to complete.



3. Finish the installation.

