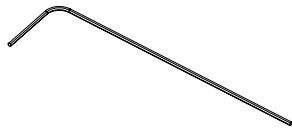


## DIVI-OFFICE Installation - 2

These installation suggestions consist of a common process for DIVI-OFFICE 2 installation. Installers should rely upon their own professional experience and understanding of their unique requirements to ensure a successful install.

---

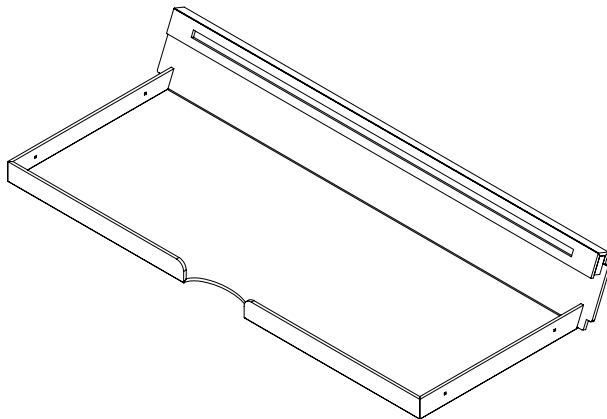
### Tools Needed



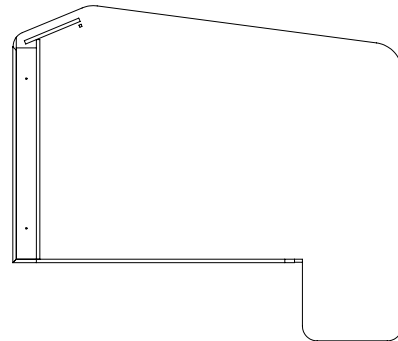
Hex Hand Dryer

---

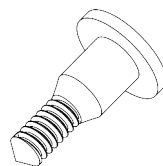
### Items Included



(1) DIVI-OFFICE back

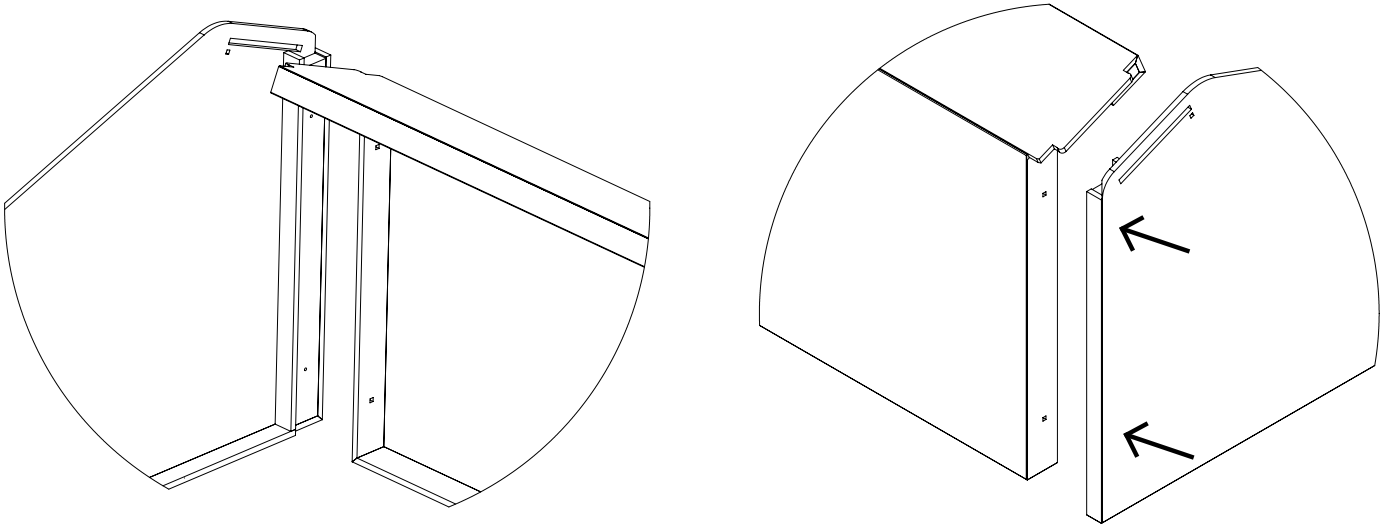


(2) DIVI-OFFICE sides

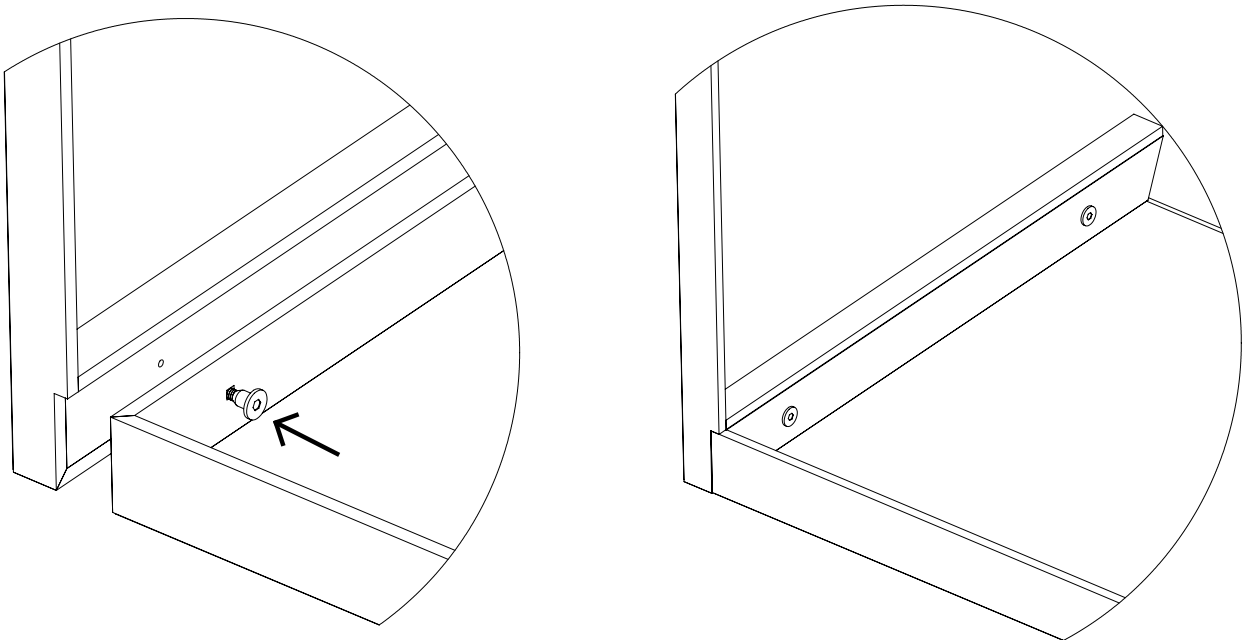


Wood Screws

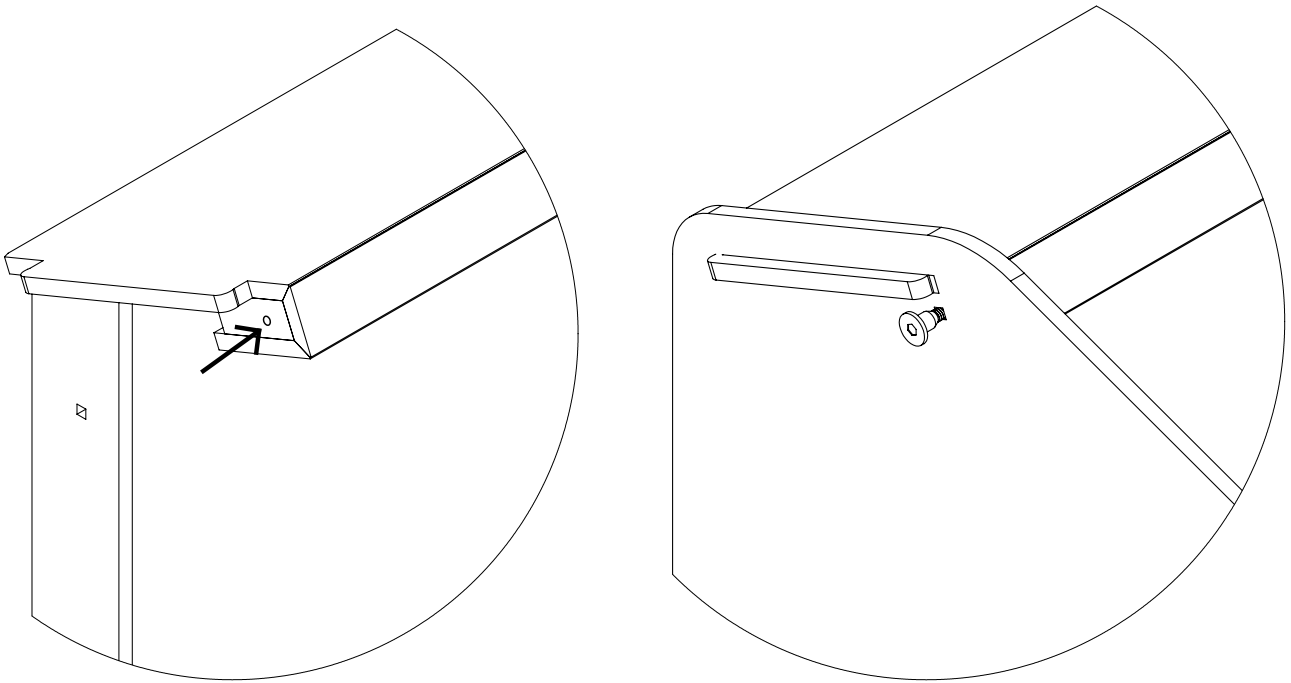
1. Take the DIVI-OFFICE back portion and slide the DIVI-OFFICE sides with the wooden poplar meeting the material with the holes. Be sure the side is slotted onto the back portion on the top.



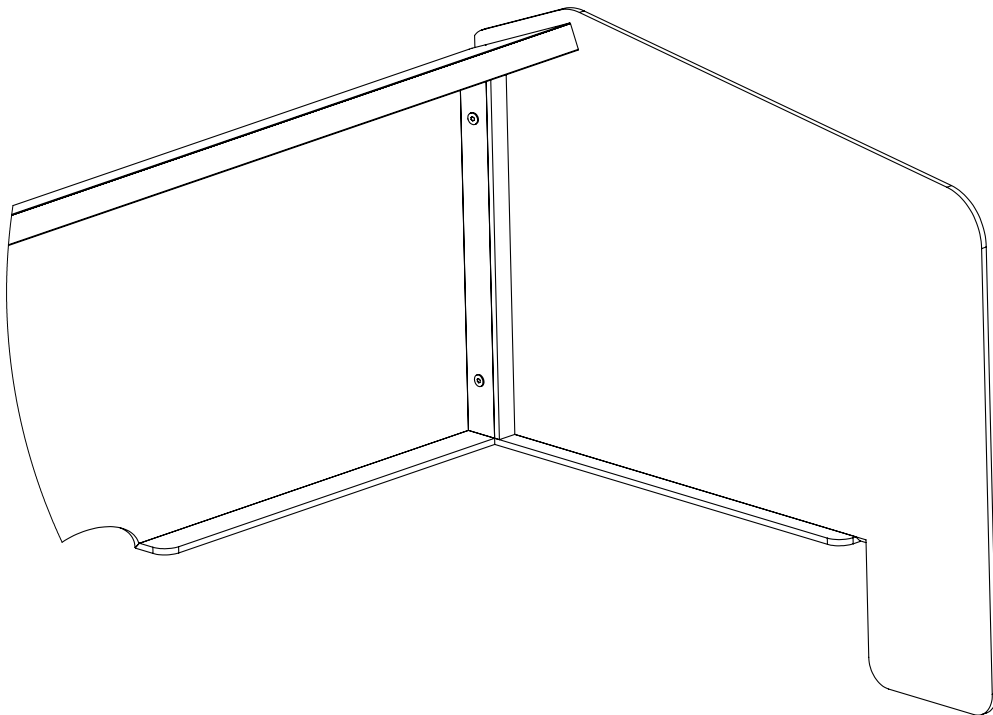
2. Each side will require 3 wood screws to install - 6 wood screws for a complete DIVI-OFFICE; it is recommended to lay the DIVI-OFFICE back portion flat on a surface and slide the wood screws through the holes to help align with the poplars.



3. Once the two wood screws are inserted on the inner part of the DIVI-OFFICE, a third wood screw will need to be placed right below the slotted portion on the outside of the DIVI-OFFICE. Use the Hex Hand Dryer to screw in the hardware.



4. Repeat with the other side. Slide the complete DIVI-OFFICE to any desired surface.



5. Finish the installation.

