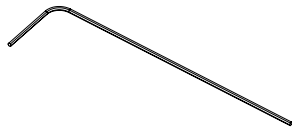


FENS Installation

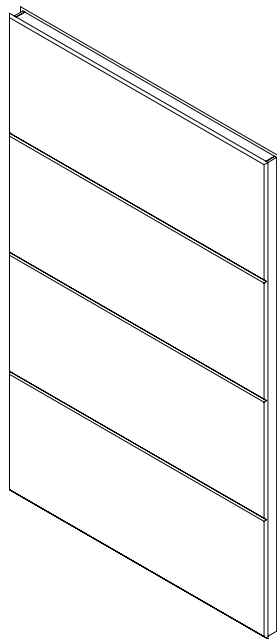
These installation suggestions consist of a common process for FENS installation. Installers should rely upon their own professional experience and understanding of their unique requirements to ensure a successful install.

Tools Needed

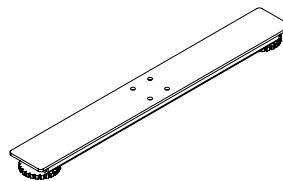


Hex Hand Dryer

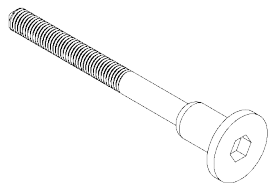
Items Included



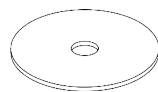
(1) FENS



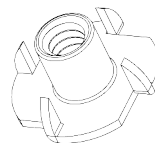
(2) FENS Feet



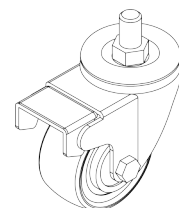
(8) Mounting Screws



(8) Washer

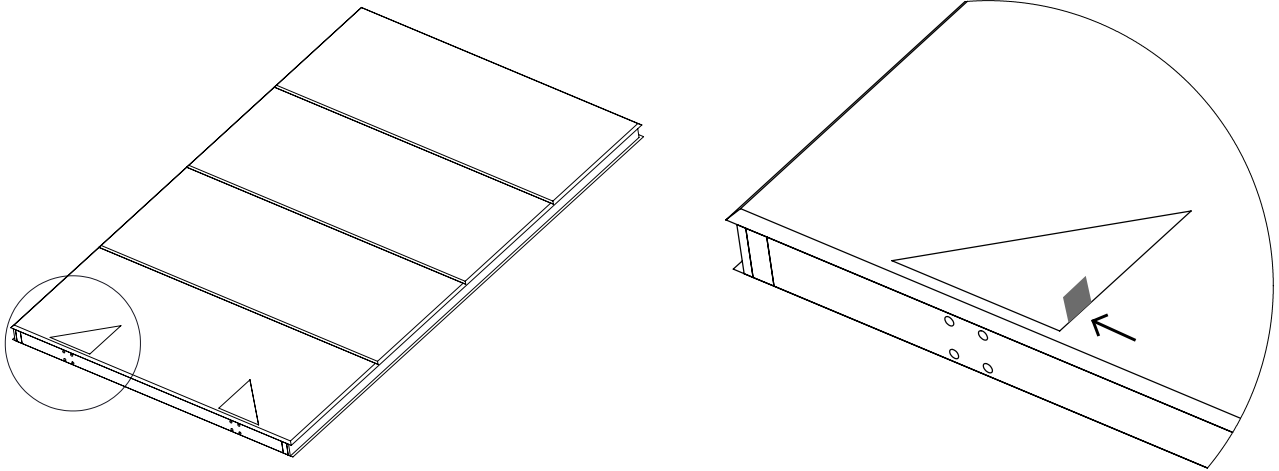


(8) T-Nut

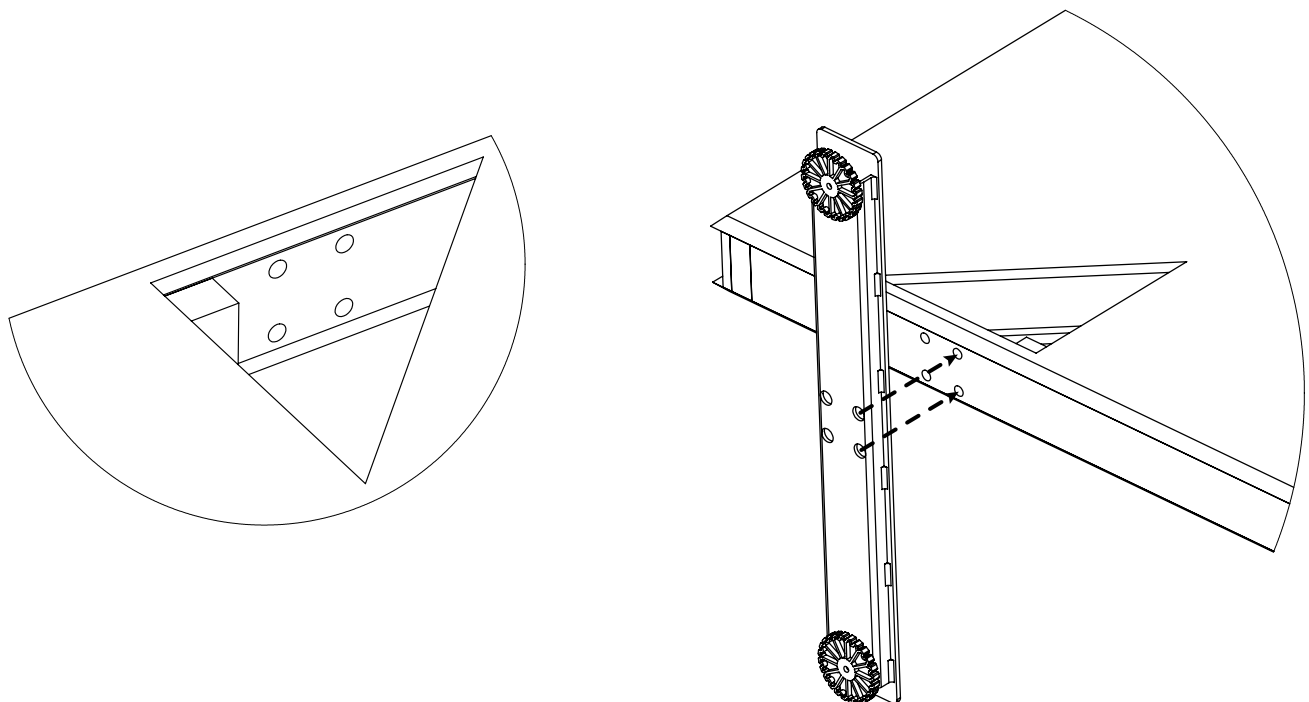


(2) Casters - OPTIONAL

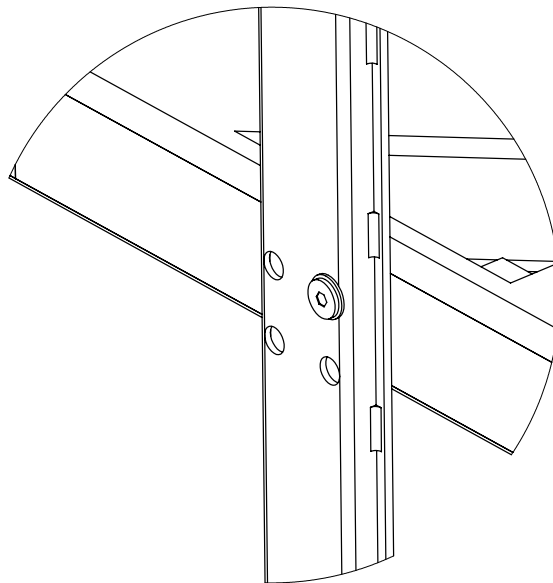
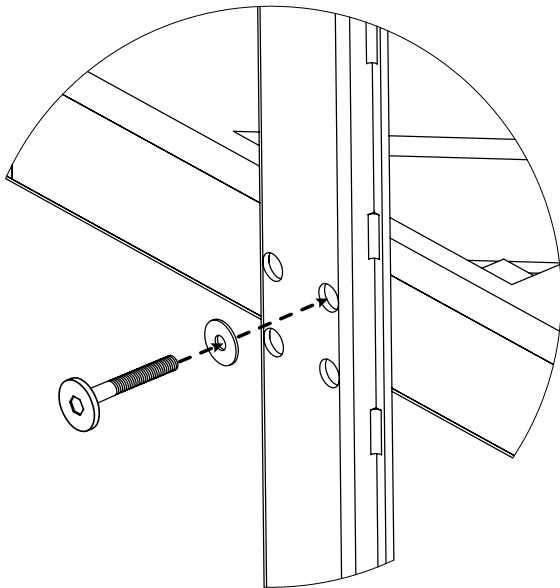
1. The Fens will need further installation to attach feet and casters. Lay the Fens on its side and find the tabs that mark the cutout in the material to access the interior structure.



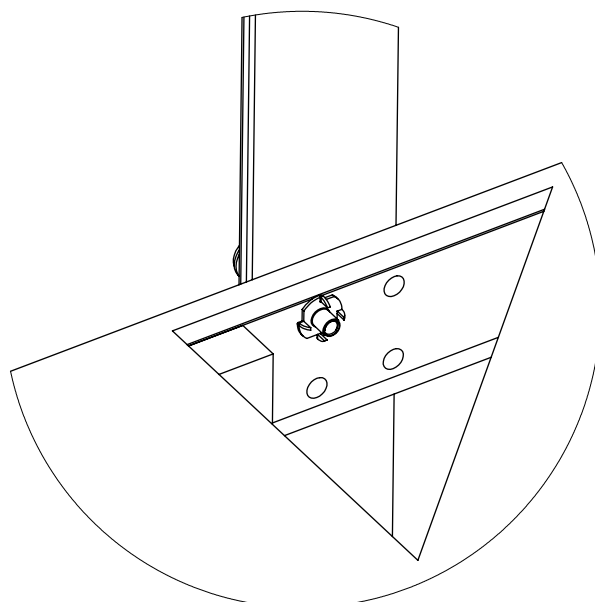
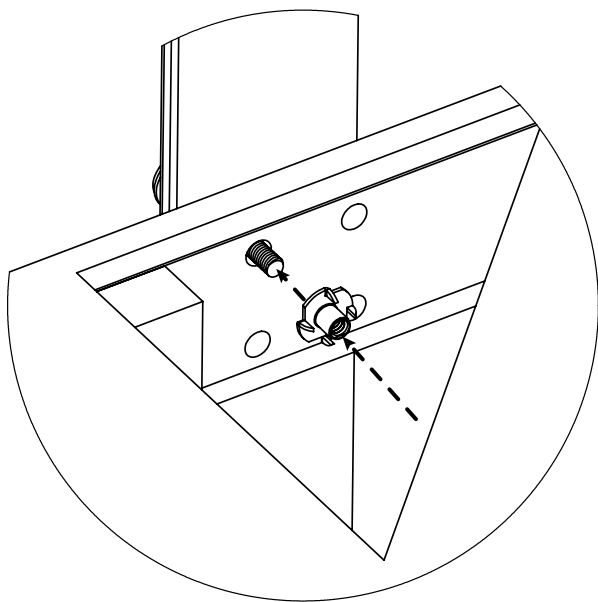
2. Open the cutout in the material to find 4 holes in the wood. Take the feet and align the holes on the feet with the holes made into the wood on the bottom of the Fens.



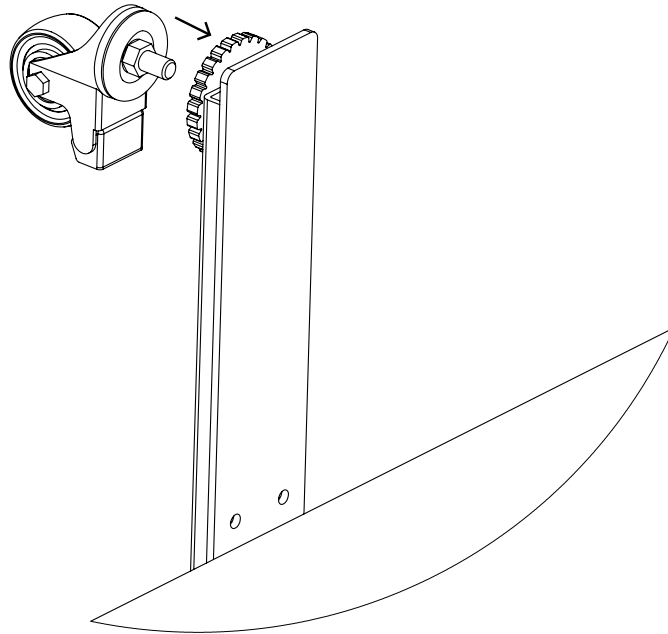
3. While holding the feet aligned with the holes, place the mounting screw WITH washer into the hole from the bottom.



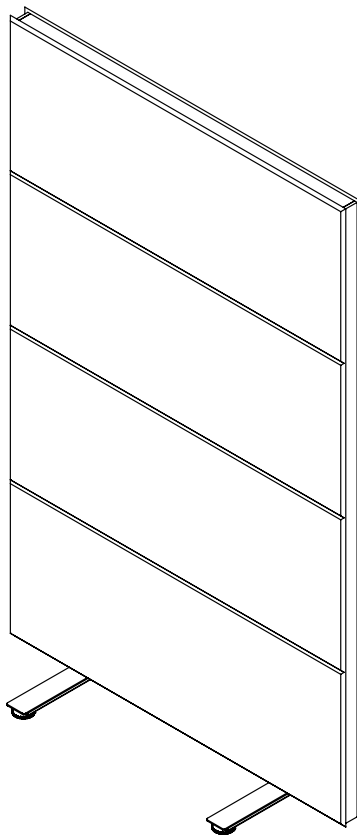
4. Take the T-Nut and secure the mounting screw from the inside of the wood. Use a Hex Hand Dryer to tighten the mounting screw from the outside, tighten the T-Nut with hands from inside. Repeat process with other holes - both feet will require 4 screws each to be secured.



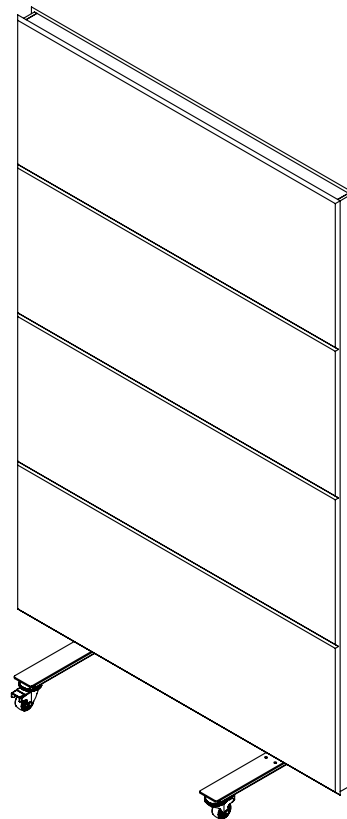
5. **OPTIONAL:** Attach casters on the bottom of feet if they are not attached already by inserting from the bottom and press until secured. Carefully pick up Fens and place in standing position.



6. Finish the installation.



Without Casters



With Casters - OPTIONAL