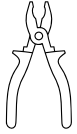


TEARDROP Installation

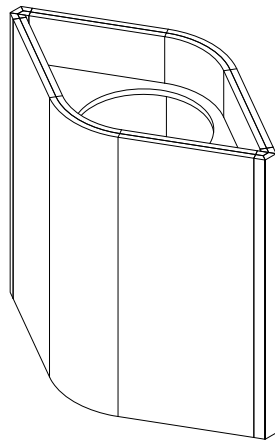
These installation suggestions consist of a common process for TEARDROP installation. Installers should rely upon their own professional experience and understanding of their unique requirements to ensure a successful install.

Tools Needed

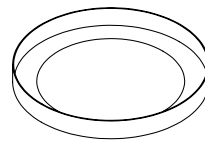


Cable Cutter

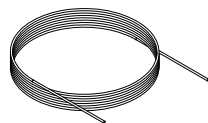
Items Included



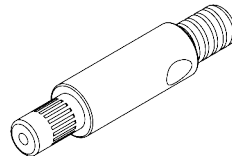
TEARDROP Shell



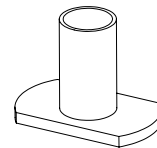
Disc Light



Aircraft Cable

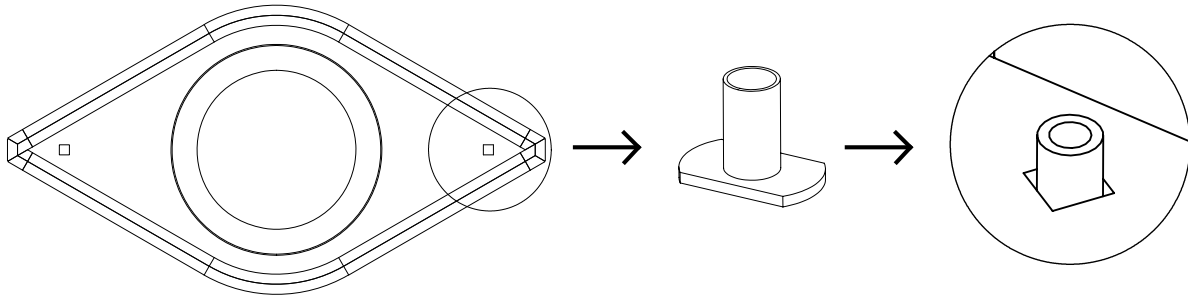


Griplock

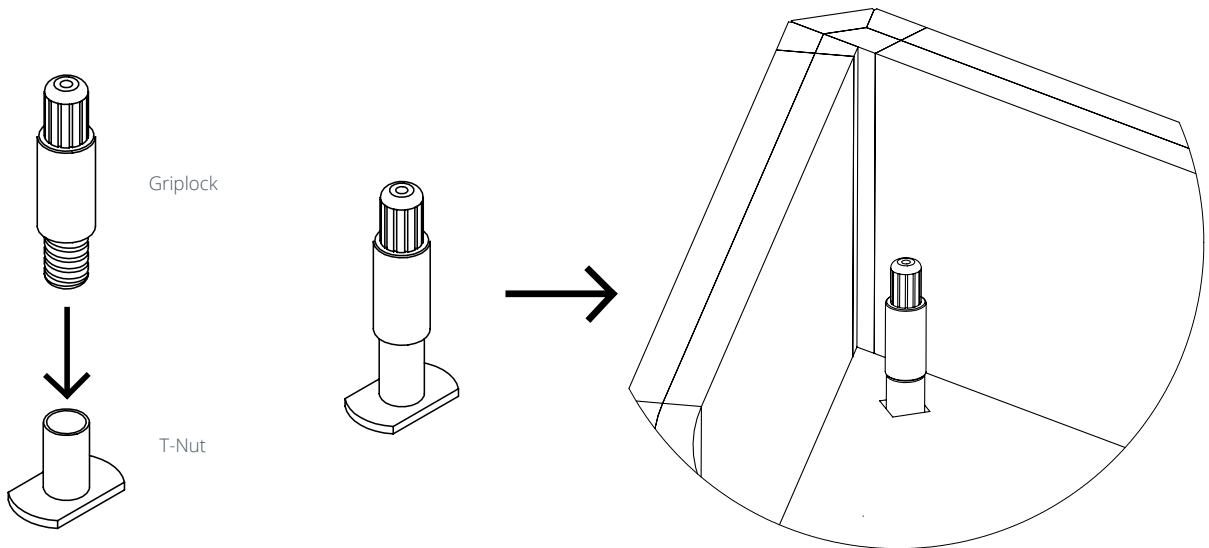


T-Nut

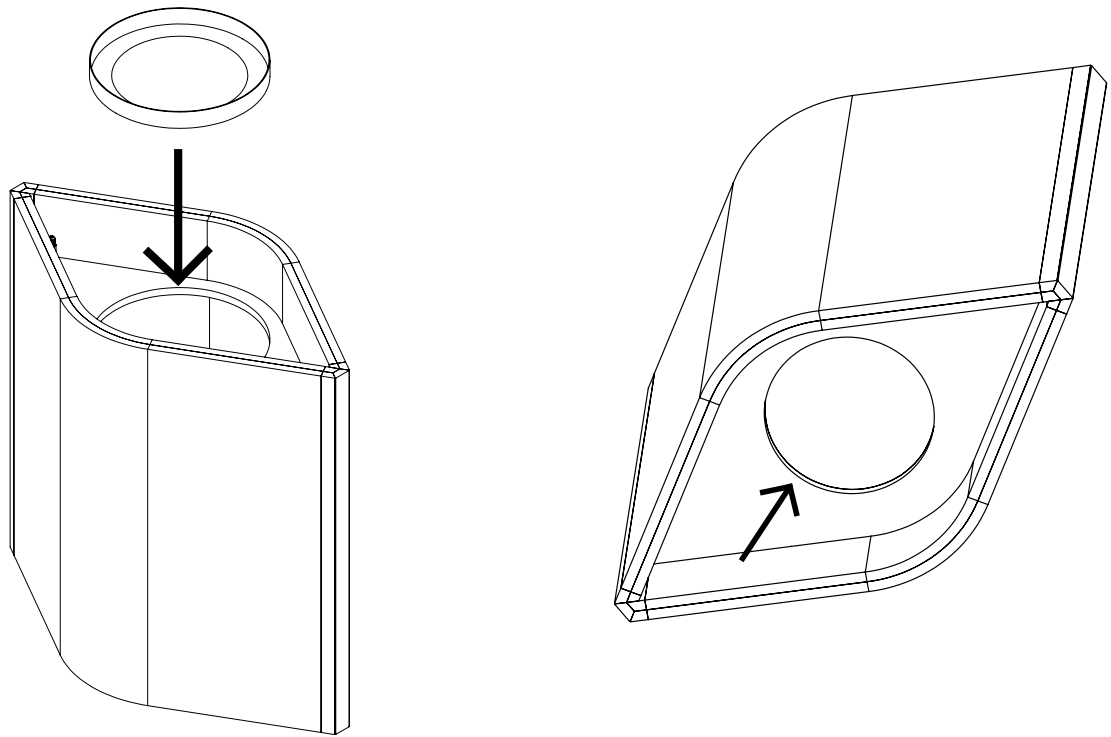
1. Take the T-Nut and place under the top layer of material through the hole on both ends of the TEARDROP. Reach through the big hole in the middle to insert the T-Nut from the underside.



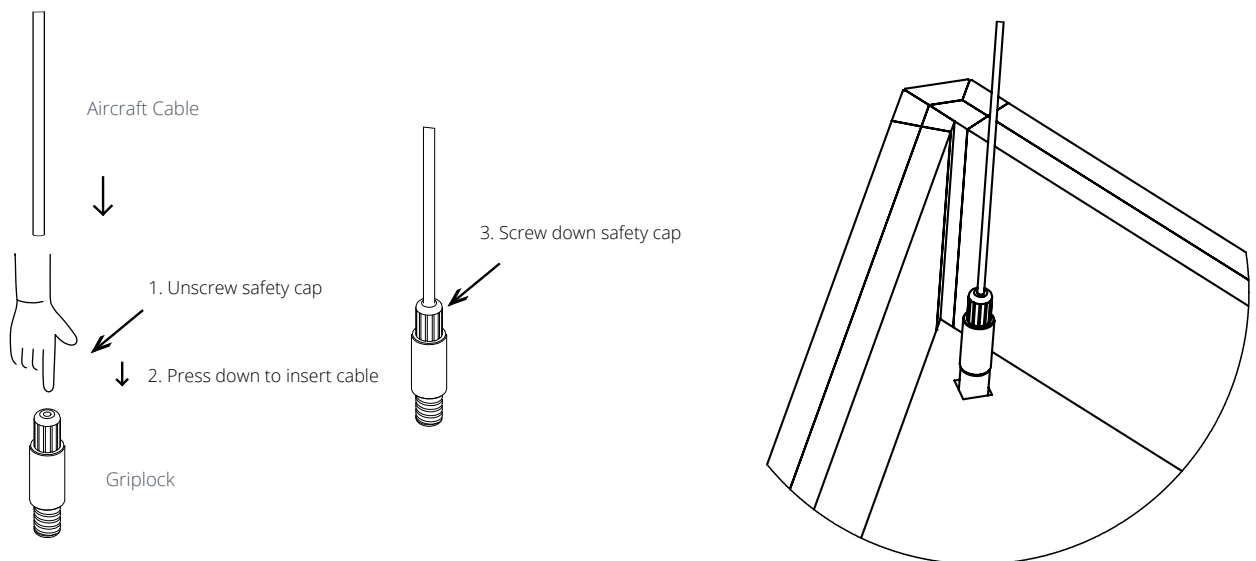
2. Screw the Griplock into the T-Nut while the T-Nut is inserted inside the hole. Do this for both ends of the TEARDROP.



3. Take the Disc Light and place through the TEARDROP from the top, resting the light on the hole in the bottom of the TEARDROP.



4. Install the Aircraft Cable into each Griplock on both ends of the TEARDROP. Tighten the top of the Griplock to ensure each cable is secure.



5. Finish the installation.

