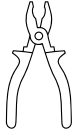


GEAR LIGHT Installation

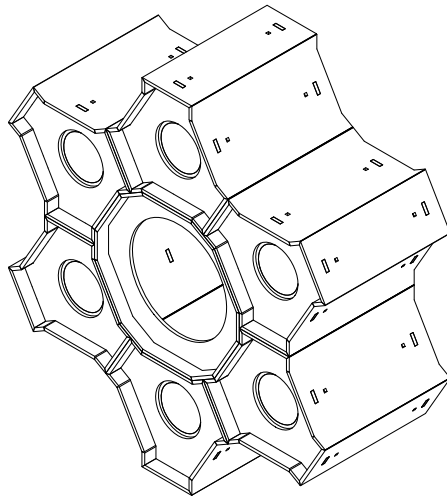
These installation suggestions consist of a common process for GEAR LIGHT installation. Installers should rely upon their own professional experience and understanding of their unique requirements to ensure a successful install.

Tools Needed

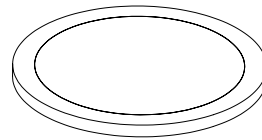


Cable Cutter

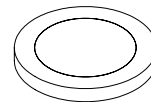
Items Included



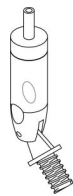
GEAR LIGHT Base



Large Disc Lights



Small Disc Lights



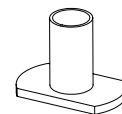
Jointed Gripper



Aircraft Cable with Ball Head

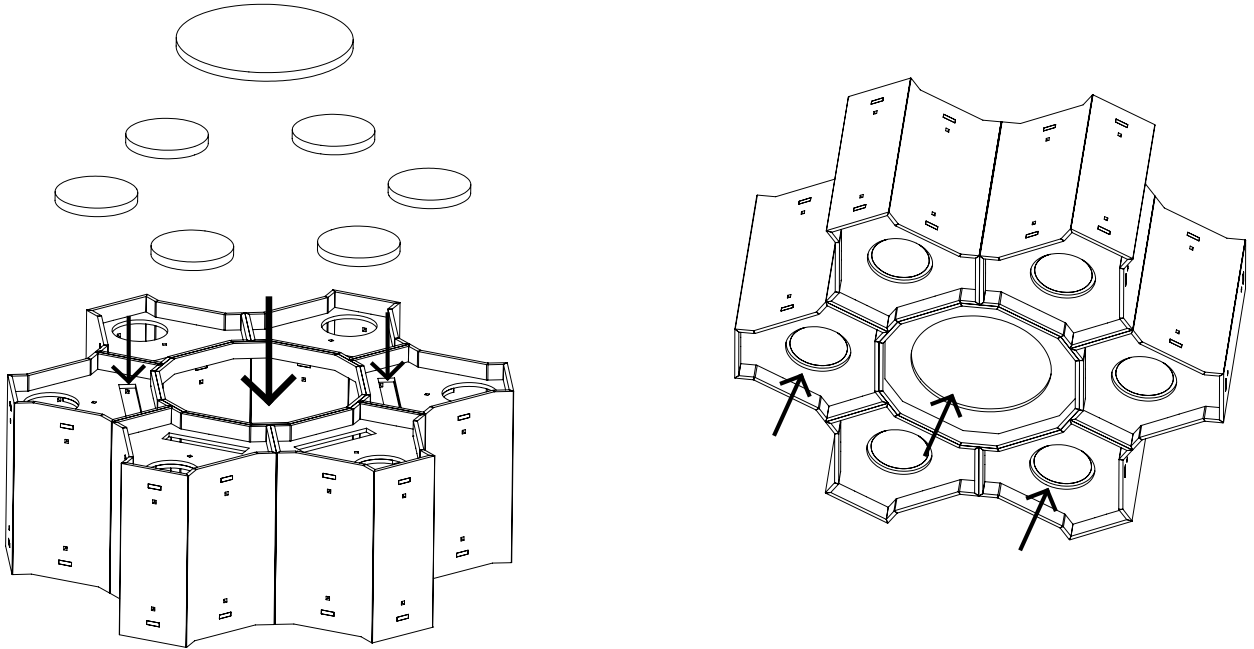


Sputnik Assembly

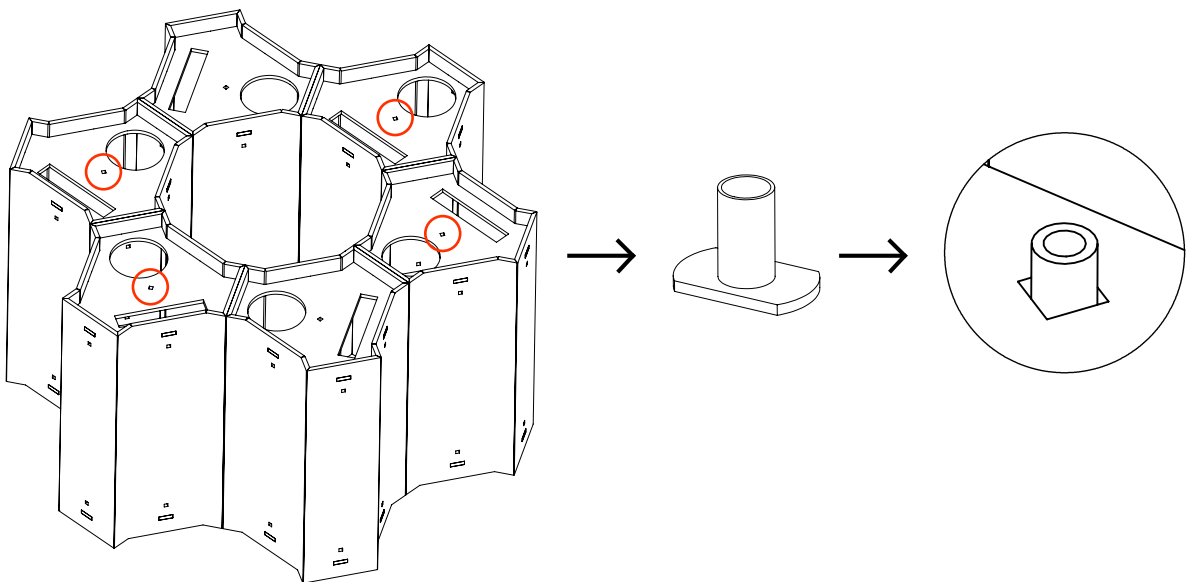


T-Nut

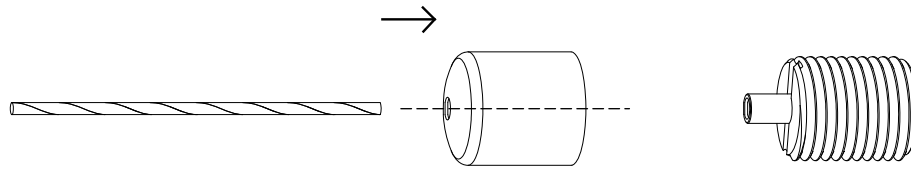
1. Take the Disc Lights and place through each of the slot holes on the GEAR LIGHT from the top, resting the light on the hole in the bottom of each. The large Disc Light is placed in the center, each of the small Disc Lights are placed in the surrounding Gears in the GEAR LIGHT.



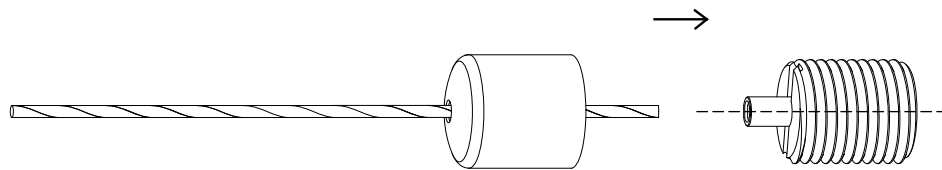
2. Take the T-Nut and place under the top layer of material through 4 of the holes on top of the GEAR LIGHT. Reach through the big hole in the middle to insert the T-Nut from the underside.



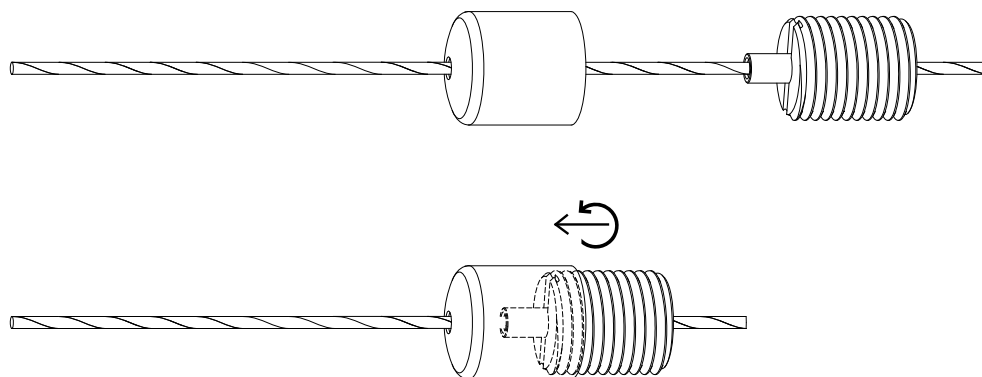
3. Insert the aircraft cable into the sputnik head.



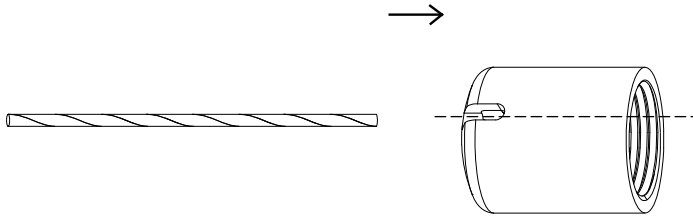
4. Insert the aircraft cable into the threaded head.



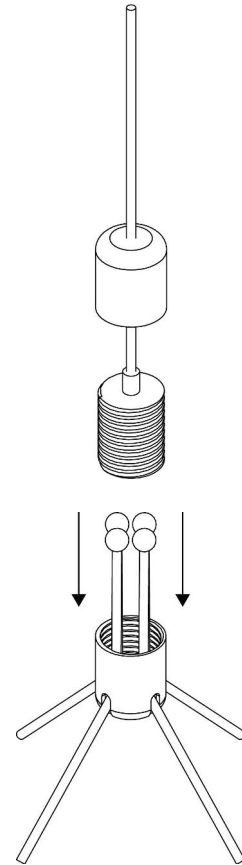
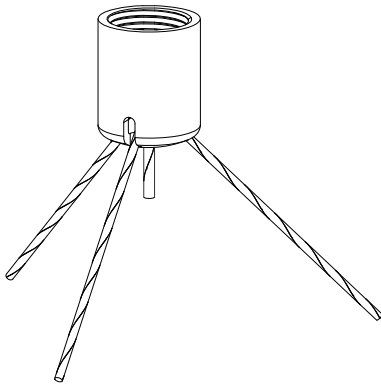
5. Screw it to the sputnik head.



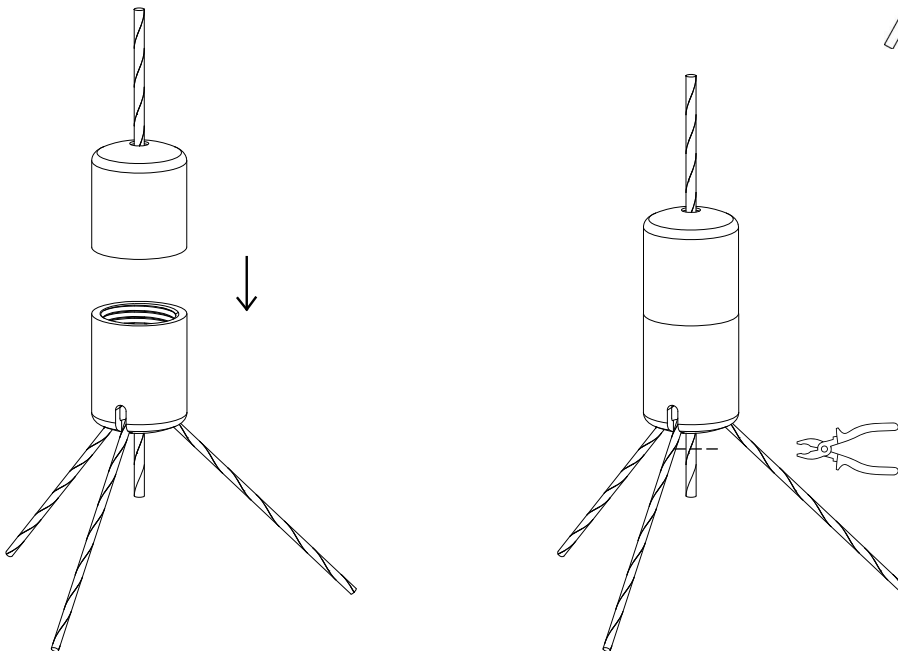
6. Insert aircraft cables to the bottom exit.



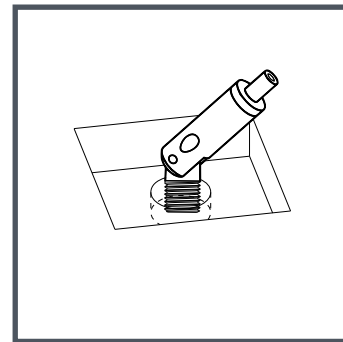
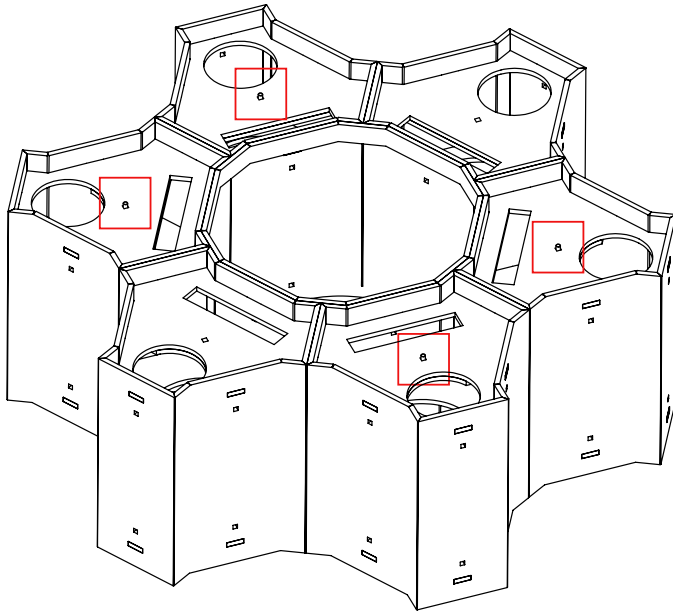
7. String 4 Aircraft Cables with Ball Heads through the bottom exit. Refer to the drawing on the right for the full assembly.



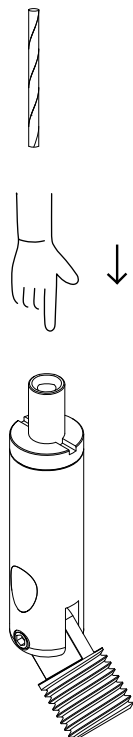
8. Screw it back to the sputnik head and cut excess wire.



9. Locate the 4 threaded holes in the T-nut to mount the jointed gripper.



10. Press and hold the spring portion to insert the aircraft cable.



11. Finish the installation.

