

## STRATAWOOD Installation

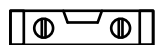
### Acoustical Wall Panels

These installation suggestions consist of a common process for STRATAWOOD installation. Installers should rely upon their own professional experience and understanding of their unique requirements to ensure a successful install.

STRATA will look best when installed with no gaps between ends or rows.

---

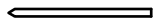
### Tools Needed



Level



Nail Gun



Pin Nails



Putty Knife



Adhesive

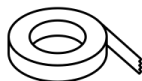


Pliers

### Optional Tools

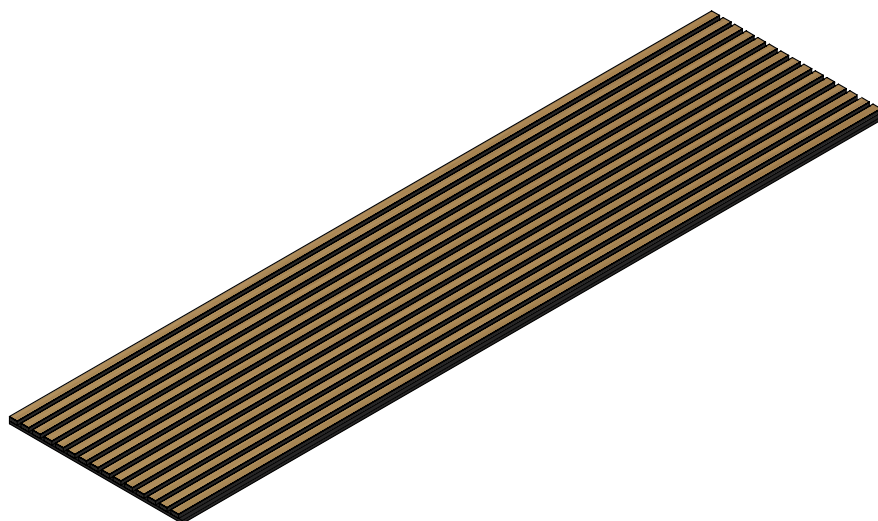


Circular Saw



Masking Tape

### Items Included



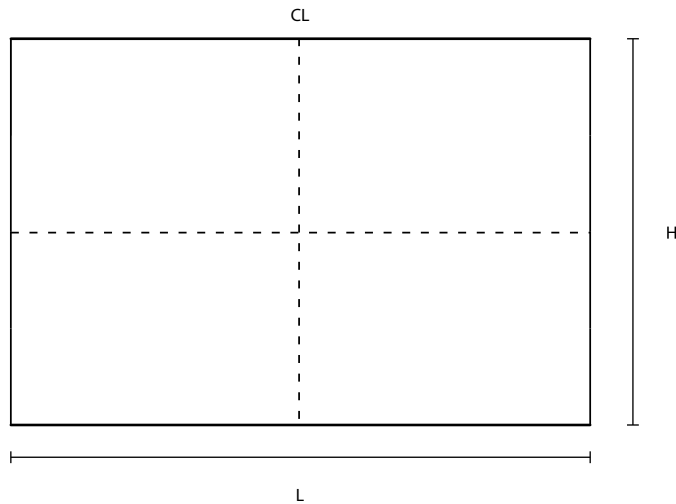
STRATAWOOD Panels

---

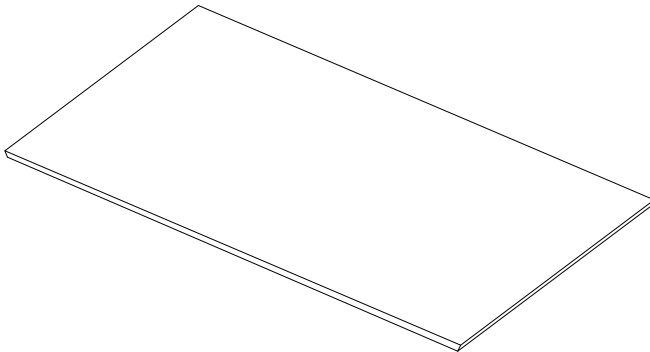
## STRATAWOOD Installation

Acoustical Wall Panels

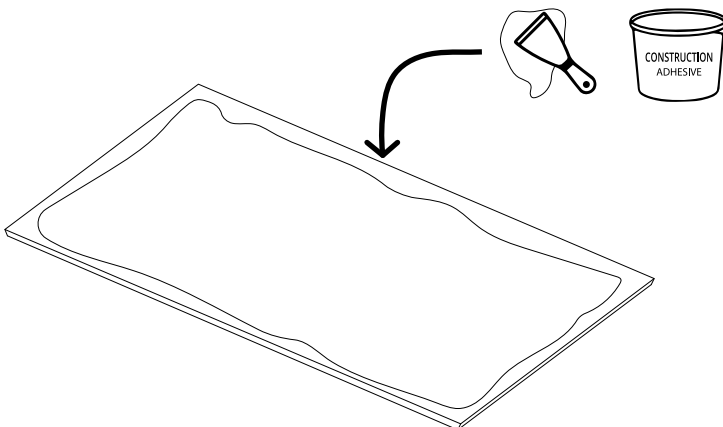
1. Measure the length and height of the wall. Find center of the wall.



2. Lay each of the STRATAWOOD on the ground and flip over with the wood side down.



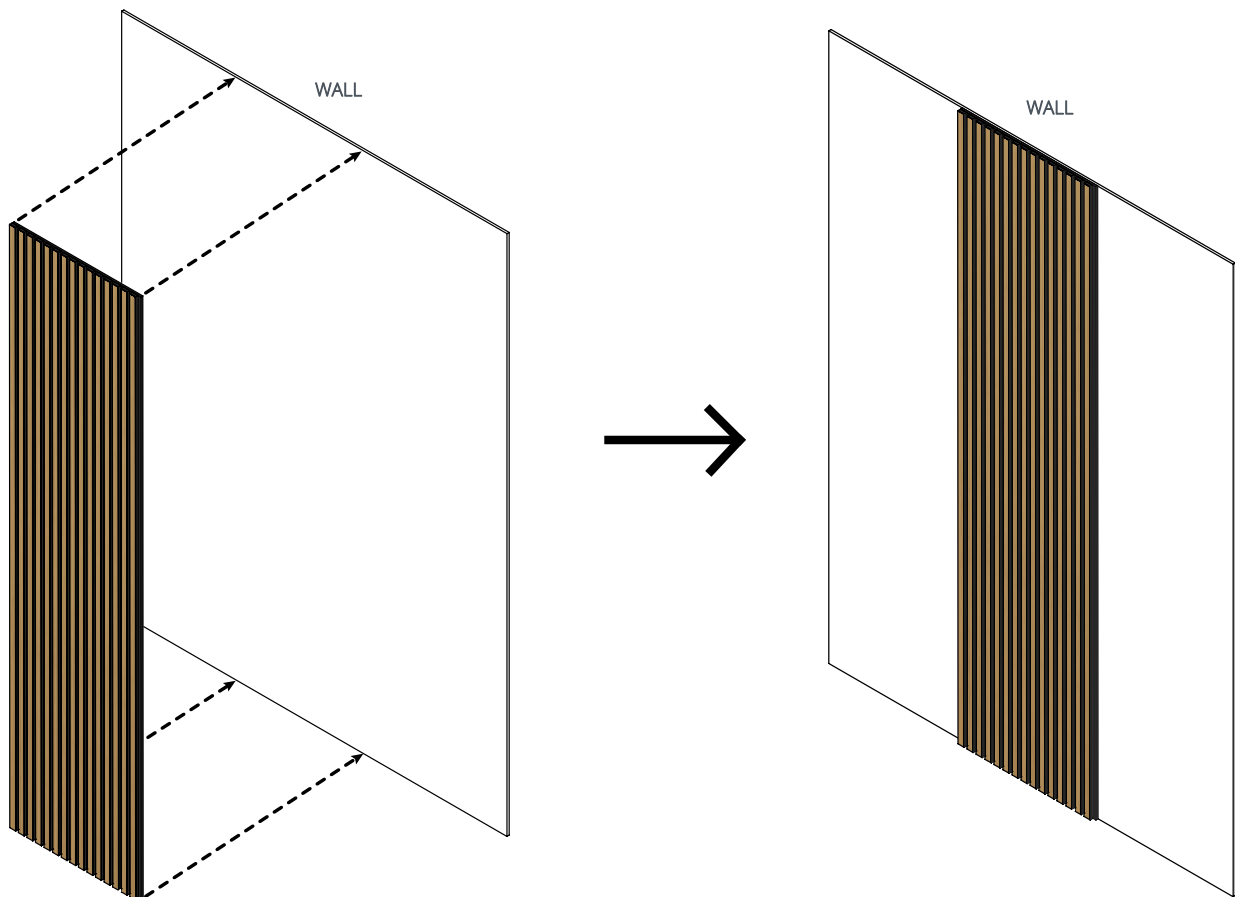
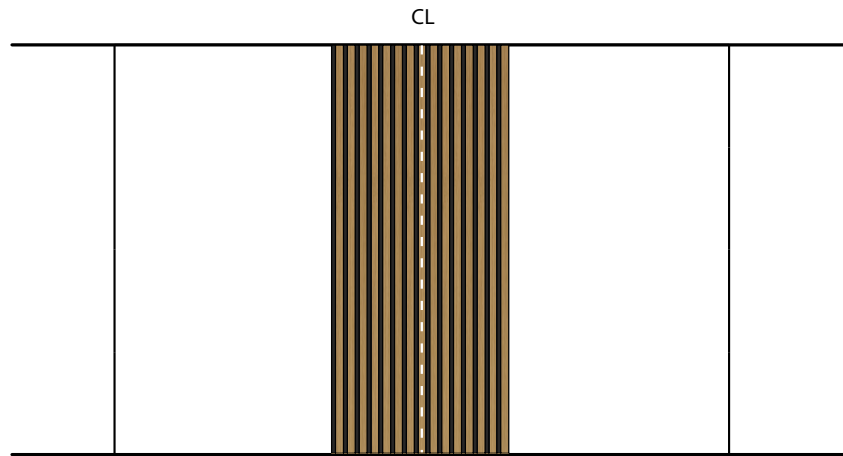
3. Use the putty knife to place construction adhesive to one STRATAWOOD at a time. Adhesive has 20-25 minutes of working time.



## STRATAWOOD Installation

Acoustical Wall Panels

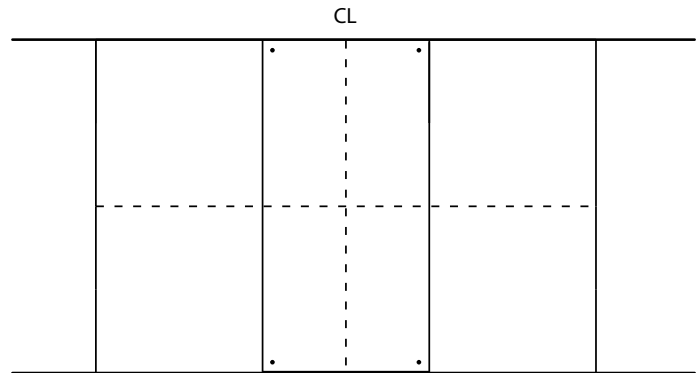
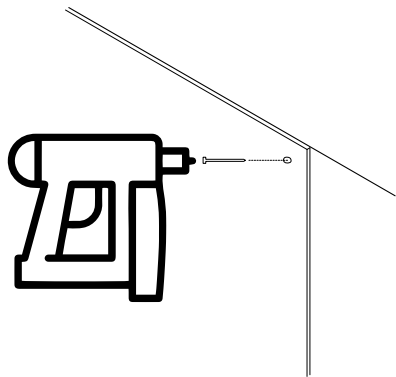
4. Position the STRATAWOOD on the wall.



## STRATAWOOD Installation

Acoustical Wall Panels

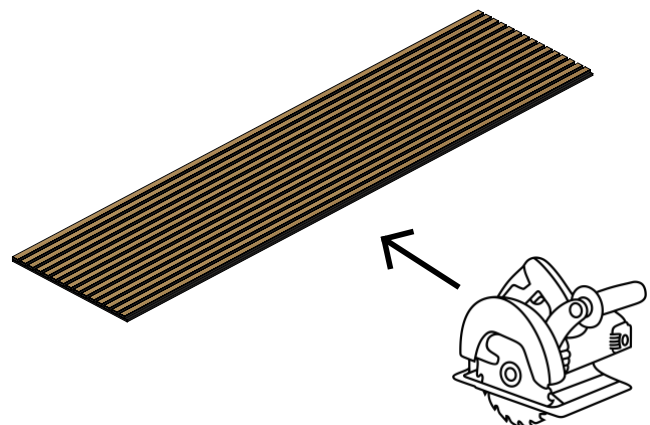
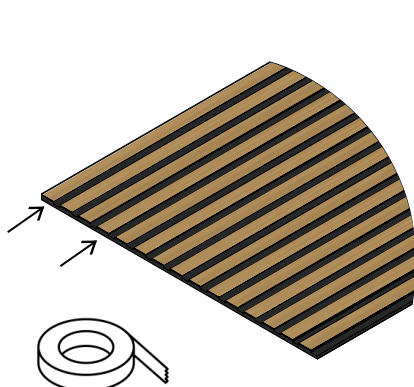
5. Use nail gun to put finishing nails on the four corners to hold the STRATAWOOD securely to the wall until adhesive is dry.



**NOTE:**

Do **NOT** place the finishing nails on the wooden portion of STRATAWOOD.  
Only place on soft material portion in between the wooden strips.

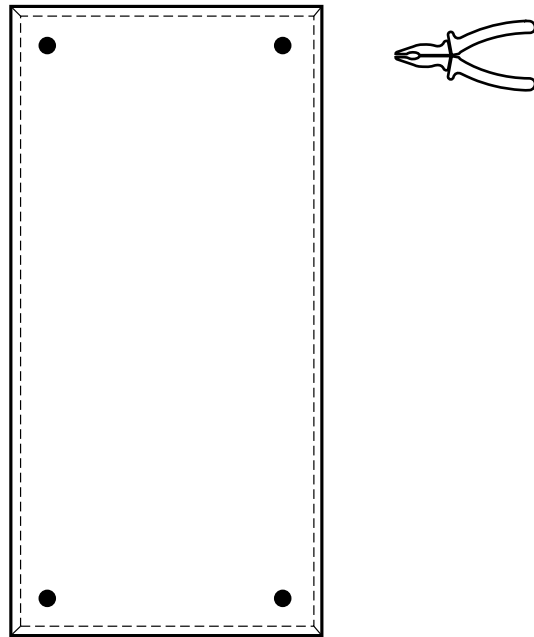
6. **OPTIONAL:** Use a circular saw to cut excess material to fit the wall if necessary. Cover the wood portion with masking tape first for protection.



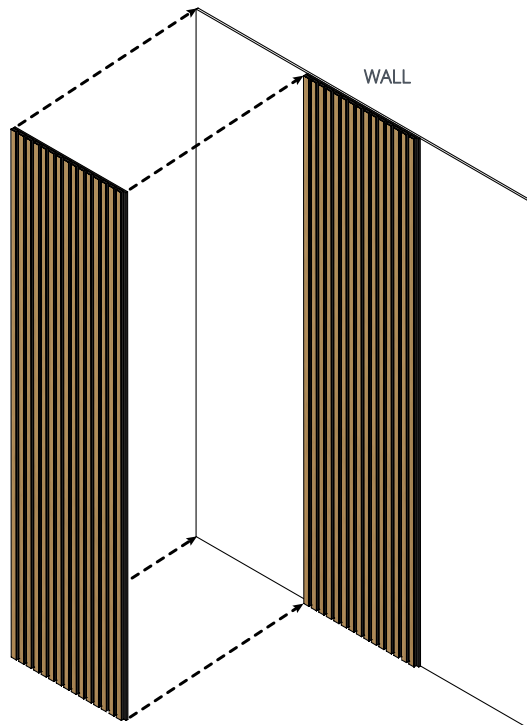
## STRATAWOOD Installation

Acoustical Wall Panels

8. Once adhesive has dried, use pliers to remove the fine nails.



9. Repeat the process to install the rest of STRATAWOOD to the wall. STRATAWOOD will look best when installed with no gaps between ends or rows.



## STRATAWOOD Installation

Acoustical Wall Panels

---

10. STRATAWOOD installation is complete.

