

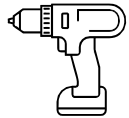
## WEAVE Installation

### Acoustical Wall Panels

These installation suggestions consist of a common process for WEAVE installation. Installers should rely upon their own professional experience and understanding of their unique requirements to ensure a successful install.

---

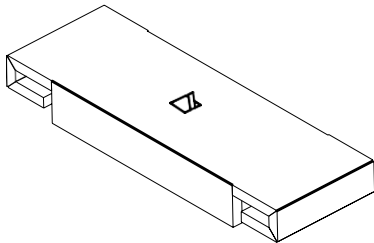
#### Tools Needed



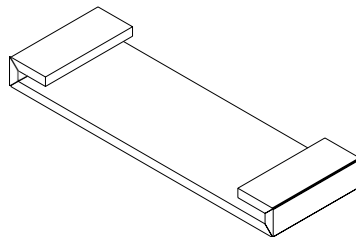
Drill

---

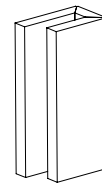
#### Items Included



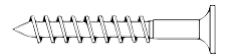
WEAVE Front Tiles



WEAVE Back Tiles

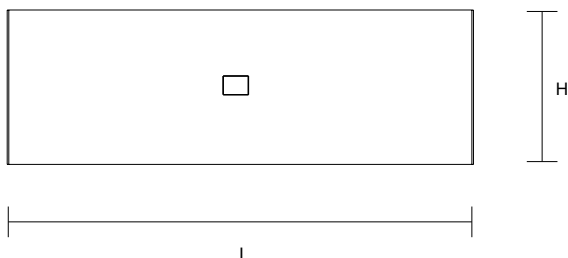


WEAVE End Pieces



Screws

- 
1. Unwrap WEAVE from plastic wrap. Confirm tile dimensions match your needs.

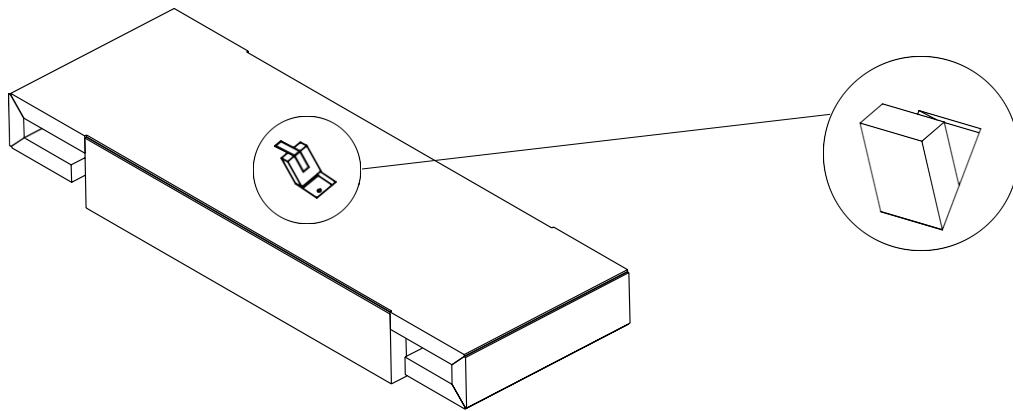


## WEAVE Installation

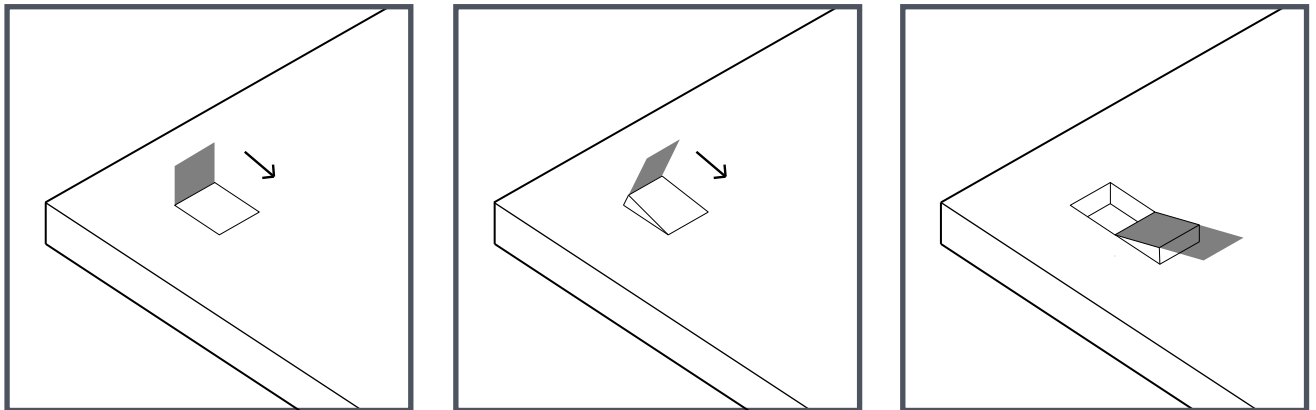
Acoustical Wall Panels

---

2. Locate the STD strip (Secret Trap Door) in the center of the WEAVE Front Tiles and carefully pull it to open the trap door.



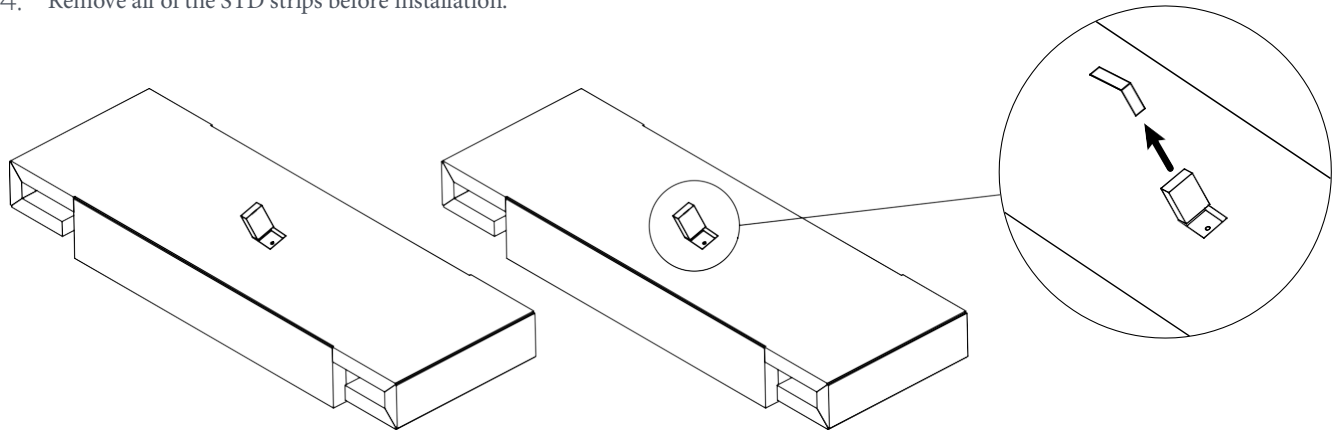
3. Pull the STD (Secret Trap Door) strip to open the trap door - use caution to not tear the hinge off.



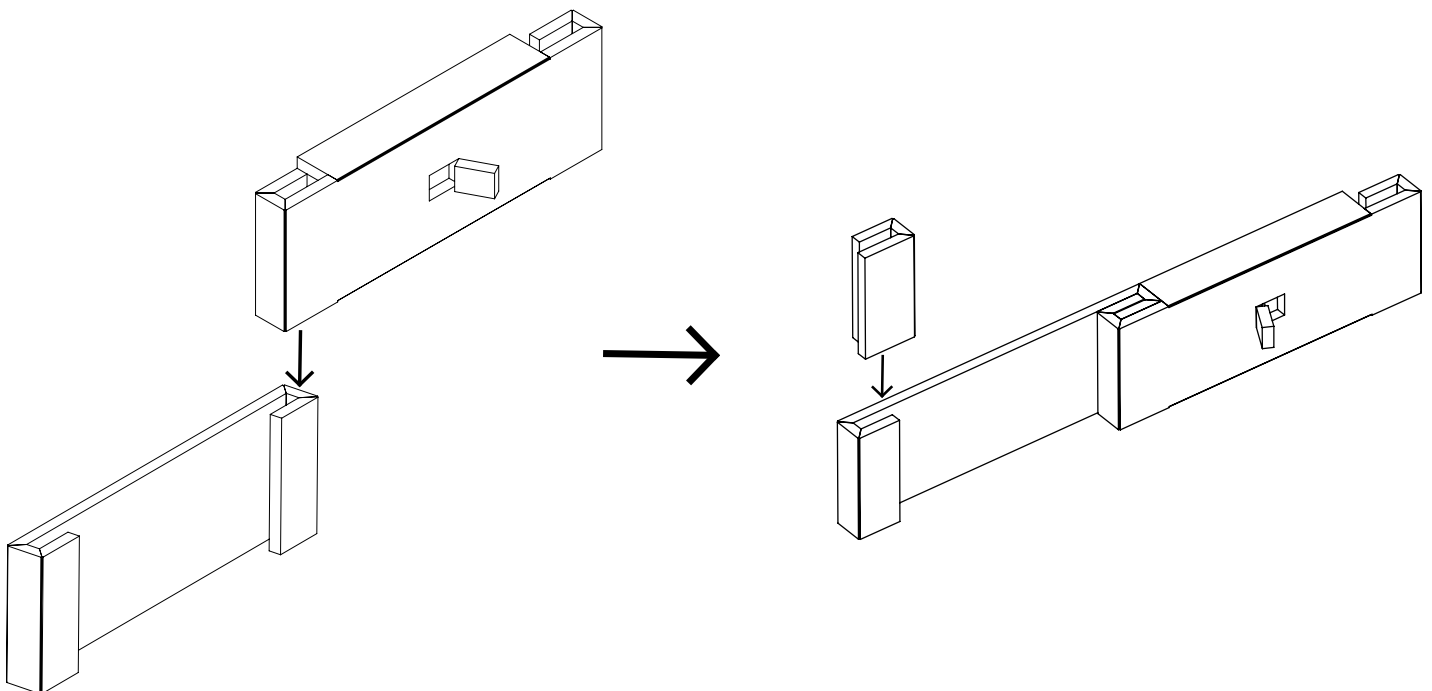
## WEAVE Installation

Acoustical Wall Panels

4. Remove all of the STD strips before installation.



5. Take the WEAVE Front Tile and slide the ends into the WEAVE Back Tile. Repeat this process until desired length is reached. Cap the ends of the pattern with the WEAVE End Pieces.

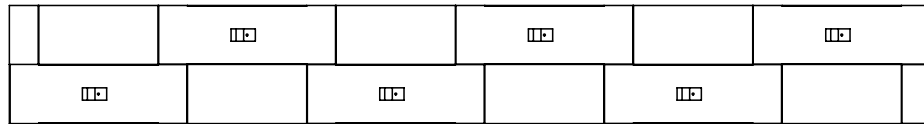


## WEAVE Installation

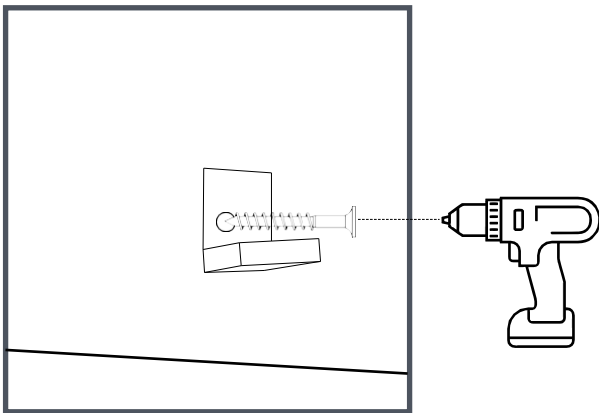
Acoustical Wall Panels

---

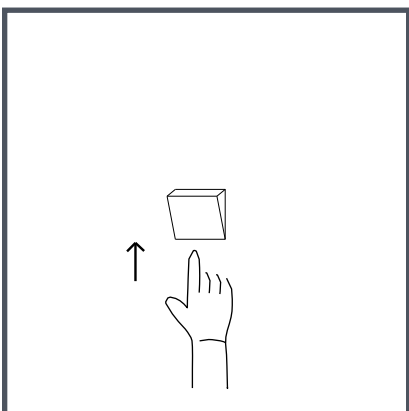
6. Repeat process and create an alternating pattern.



7. Use the drywall screw to mount.



8. Close the door to finish installation.



## WEAVE Installation

Acoustical Wall Panels

### 9. Sample Layout Views

